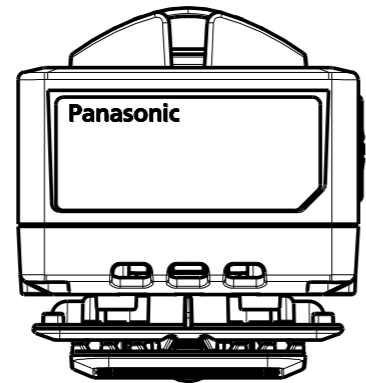
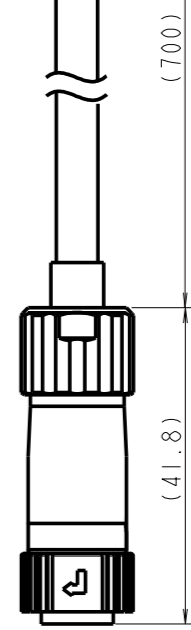
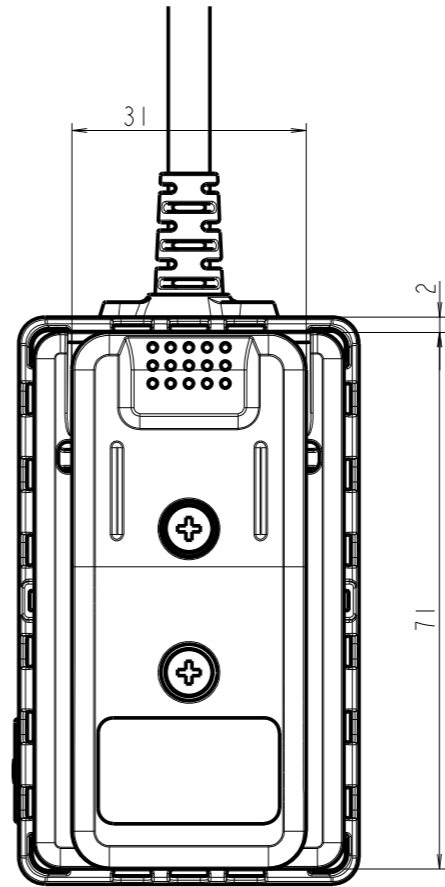
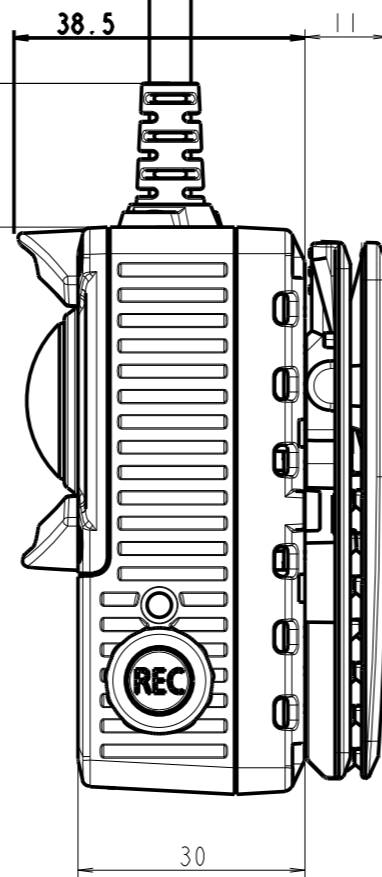
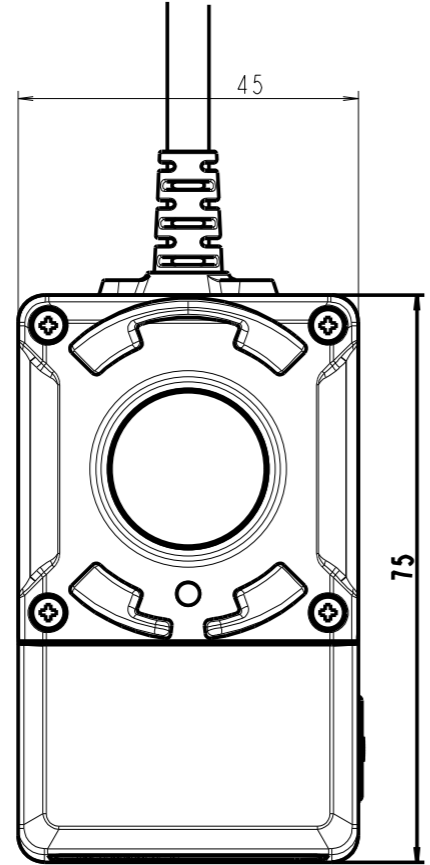
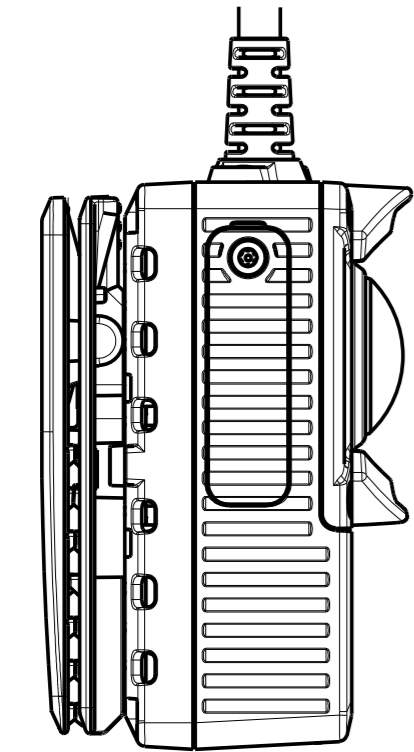
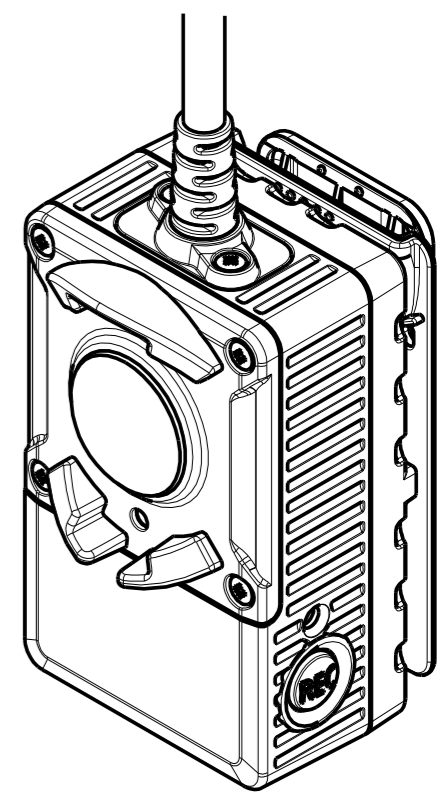
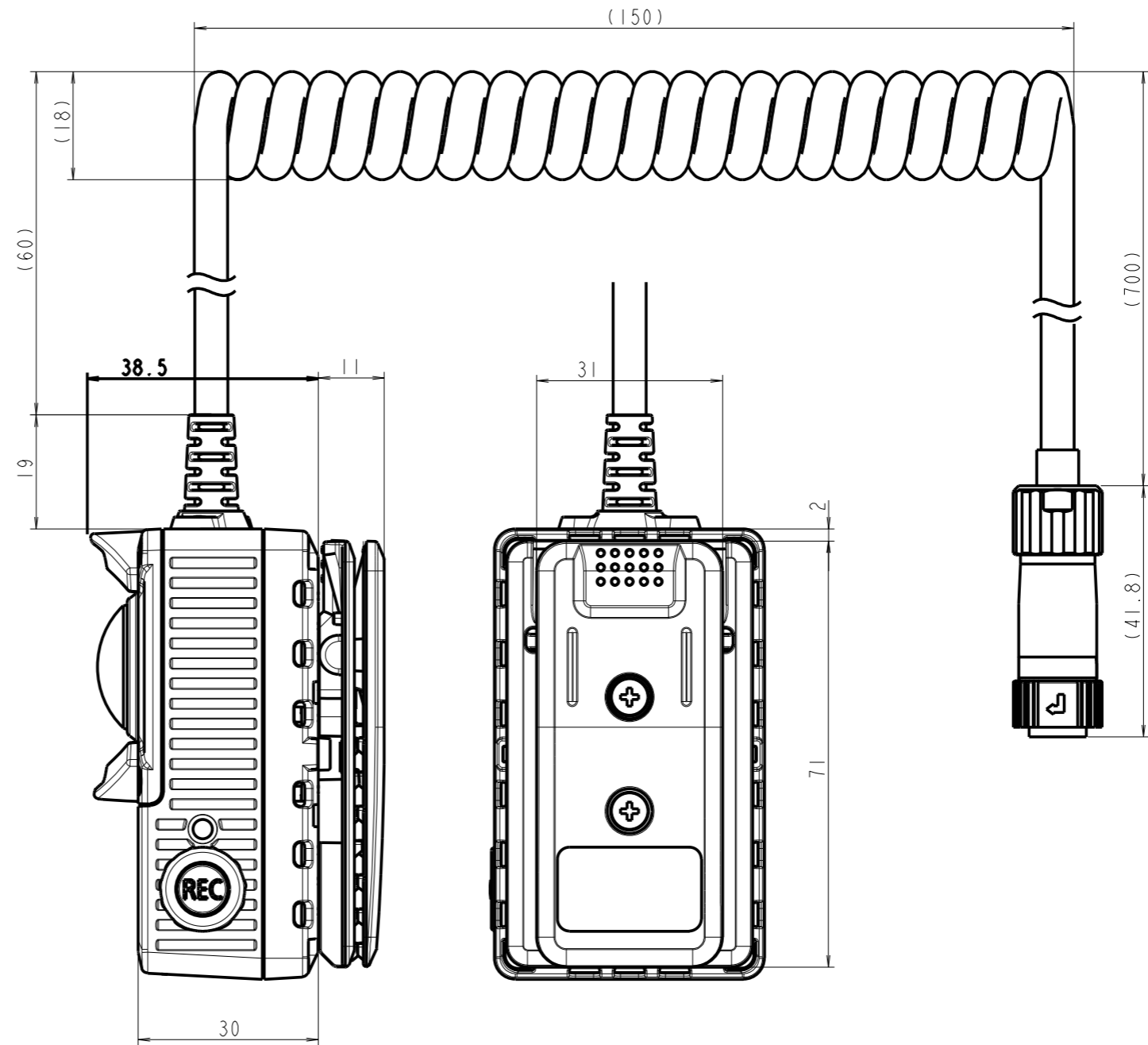
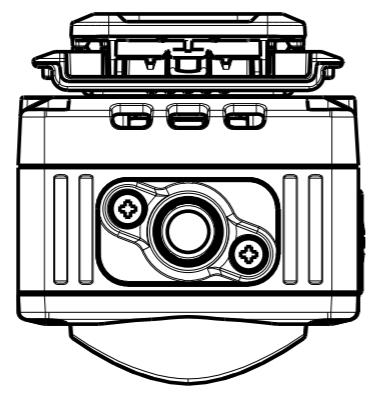
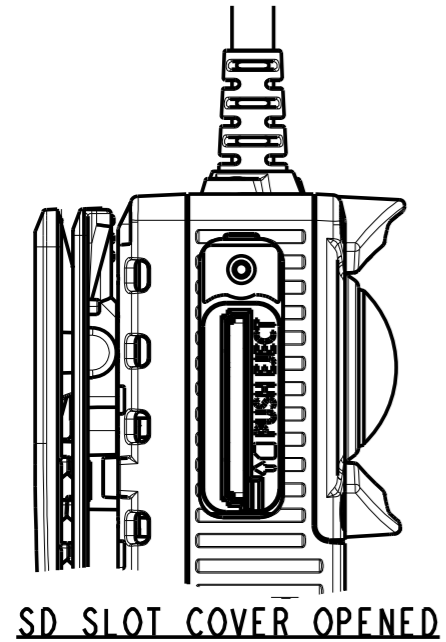


SYM.	DATE	REVISION	SIGNED	CHECKED
①				
②				
③				



Unit:mm

REMARK Weight : 210±20 g Including cable and clip		MATERIAL & SIZE		PROCESS	
SCALE 1:1	DESIGNED KURAOKA	DRAWN KOIKE	CHECKED	APPROVED	
	03/07/12	03/07/12			

MODEL	WV-TW310LP
NAME	APPEARANCE
DRAWING/ Part NO.	M-Mb01
REF No.	1/1

SYM.	ITEM OR PARTS NO.	NAME	QTY	MATERIAL & SIZE	TREATMENT	REMARK