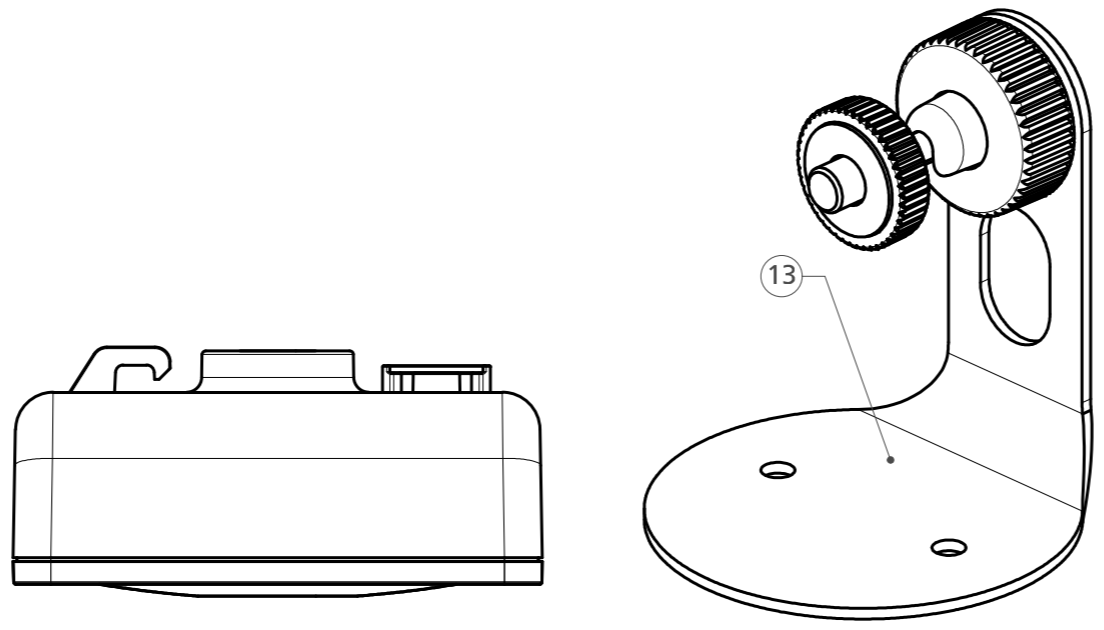


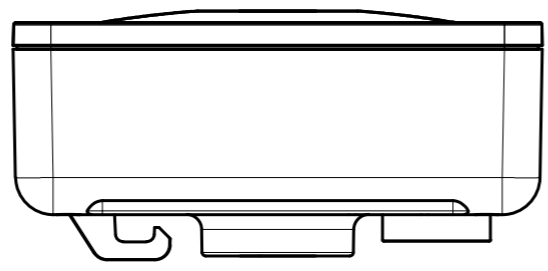
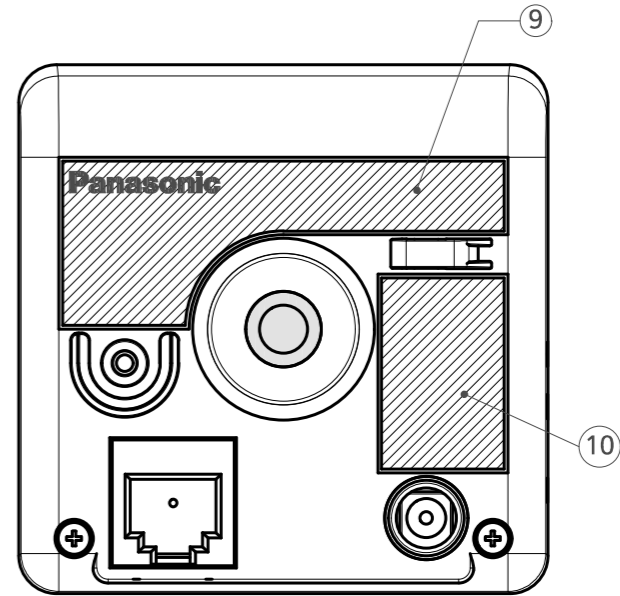
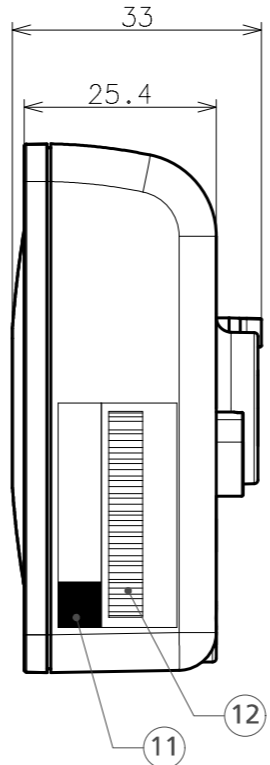
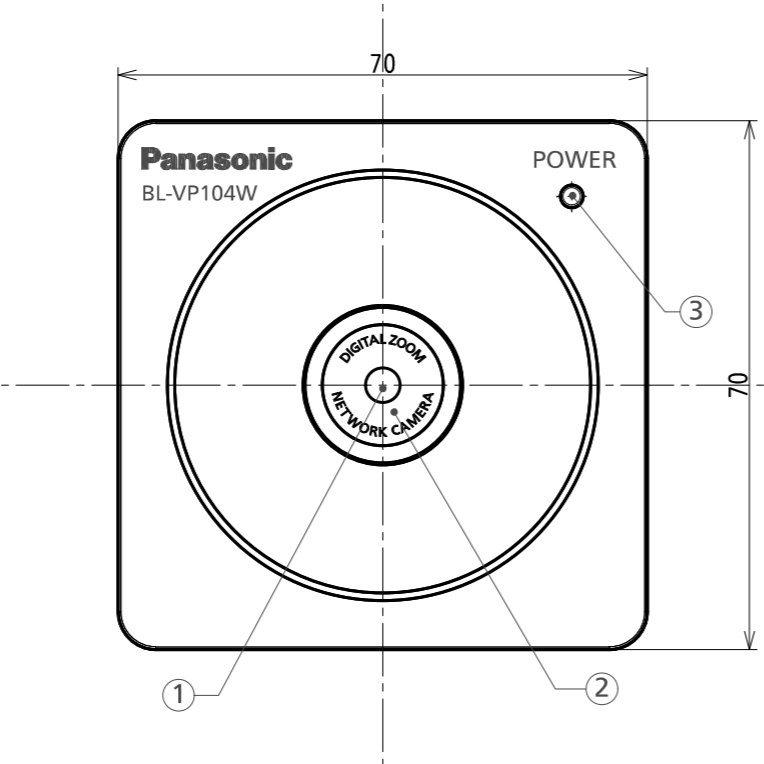
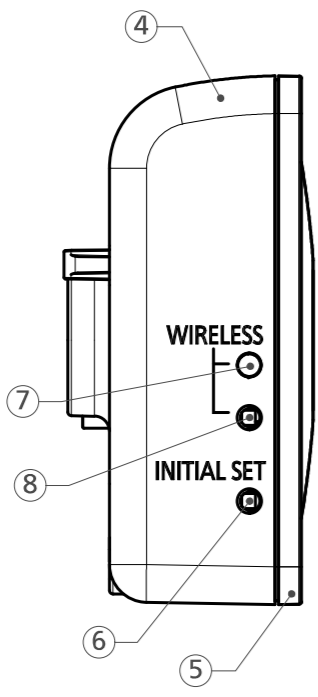
1 2 3 4 5 6 7 8

A
B
C
D
E
F

A
B
C
D
E
F



SYM	NAME	QTY.	MATERIAL & SIZE	TREATMENT	REMARK
1	LENS	1			
2	LENS SHEET	1	PC		
3	POWER LED	1	ABS		
4	REAR CABINET	1	ABS		
5	FRONT CABINET	1	ABS		
6	INITIAL SET SW	1			
7	WIRELESS LED	1	ABS		
8	WIRELESS SW	1			
9	NAME LABEL	1	POLYESTER FILMS		
10	FCC LABEL	1	POLYESTER FILMS		
11	SERIAL No .LABEL	1	POLYESTER FILMS		
12	CODE LABEL	1	POLYESTER FILMS		
13	FLEXIBLE STAND	1			
14		1			
15		1			



Unit:mm

		WEIGHT:Approx. 80g		MODEL	BL-VP104WP
		MATERIAL & SIZE		PROCESS	箱入規格/Main Assembly Standards <外觀図>
SCALE	DESIGNED	DRAWN	CHECKED	APPROVED	DRAWING/ Part NO.
1 : 1	S.IKEGAMI 2012.01.27	S.IKEGAMI 2012.01.27			Page M-Mb1 of M-Mb1
		REF.NO.		ISSUE 1-1	/