

# Panasonic

## Operating Instructions

### Color CCTV Cameras

Model Nos. **WV-CW384E**

**WV-CW380/G**

ENGLISH

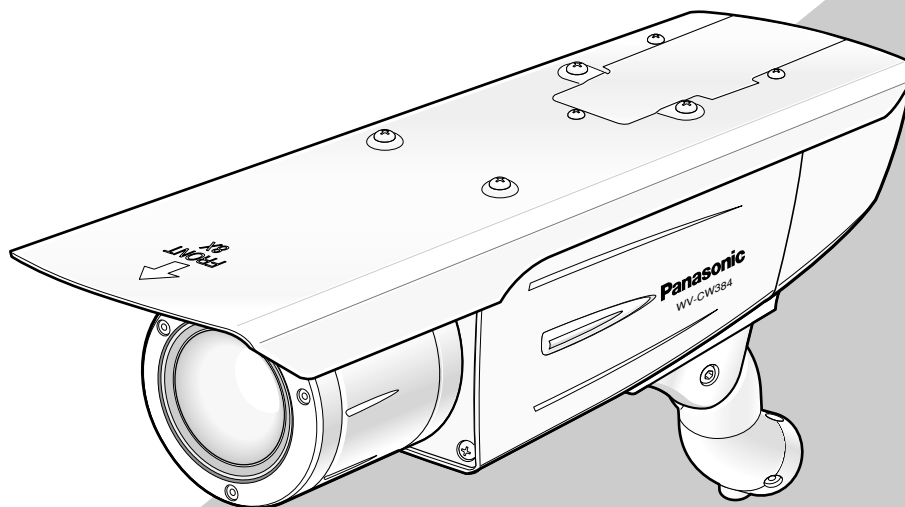
DEUTSCH

FRANÇAIS

ESPAÑOL

ITALIANO

РУССКИЙ



WV-CW384 is shown above.

Before attempting to connect or operate this product,  
please read these instructions carefully and save this manual for future use.

The model number is abbreviated in some descriptions in this manual.

## ENGLISH VERSION

We declare under our sole responsibility that the product to which this declaration relates is in conformity with the standards or other normative documents following the provisions of Directives 2006/95/EC and 2004/108/EC.

Wij verklaren als enige aansprakelijke, dat het product waarop deze verklaring betrekking heeft, voldoet aan de volgende normen of andere normatieve documenten, overeenkomstig de bepalingen van Richtlijnen 2006/95/EC en 2004/108/EC.

Vi erklærer os eneansvarlige for, at dette produkt, som denne deklARATION omhandler, er i overensstemmelse med standarder eller andre normative dokumenter i følge bestemmelserne i direktivene 2006/95/EC og 2004/108/EC.

Vi deklarerar härmed vårt fulla ansvar för att den produkt till vilken denna deklARATION hänvisar är i överensstämmelse med standarddokument, eller andra normativa dokument som framställs i direktiv nr. 2006/95/EC och 2004/108/EC.

Ilmoitamme yksinomaisella vastuullamme, että tuote, jota tämä ilmoitus koskee, noudattaa seuraavia standardeja tai muita ohjeellisia asiakirjoja, jotka noudattavat direktiivien 2006/95/EC ja 2004/108/EC säädöksiä.


Vi erklærer oss alene ansvarlige for at produktet som denne erklæringen gjelder for, er i overensstemmelse med følgende normer eller andre normgivende dokumenter som følger bestemmelsene i direktivene 2006/95/EC og 2004/108/EC.

### WARNING:


- This apparatus must be earthed.
- All work related to the installation of this product should be made by qualified service personnel or system installers.
- The connections should comply with local electrical code.

### CAUTION:

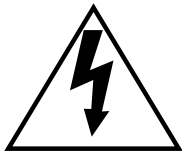
Before attempting to connect or operate this product, please read the label on the bottom.



**CAUTION**  
RISK OF ELECTRIC SHOCK  
DO NOT OPEN



**CAUTION: TO REDUCE THE RISK OF ELECTRIC SHOCK,  
DO NOT REMOVE COVER (OR BACK).  
NO USER-SERVICEABLE PARTS INSIDE.  
REFER SERVICING TO QUALIFIED SERVICE PERSONNEL.**



The lightning flash with arrowhead symbol, within an equilateral triangle, is intended to alert the user to the presence of uninsulated "dangerous voltage" within the product's enclosure that may be of sufficient magnitude to constitute a risk of electric shock to persons.



The exclamation point within an equilateral triangle is intended to alert the user to the presence of important operating and maintenance (servicing) instructions in the literature accompanying the appliance.

### CAUTION:

An ALL-POLE MAINS SWITCH with a contact separation of at least 3 mm in each pole shall be incorporated in the electrical installation of the building.

For U.K. ....

**FOR YOUR SAFETY PLEASE READ THE FOLLOWING TEXT CAREFULLY.**

**WARNING: This apparatus must be earthed.**

#### IMPORTANT

The wires in this mains lead are coloured in accordance with the following code.

Green-and-yellow:	Earth
Blue:	Neutral
Brown:	Live

As the colours of the wire in the mains lead of this appliance may not correspond with the coloured markings identifying the terminals in your plug, proceed as follows.

The wire which is coloured **green-and-yellow** must be connected to the terminal in the plug which is marked with the letter **E** or by the earth symbol  $\perp$  or coloured **green** or **green-and-yellow**.

The wire which is coloured **blue** must be connected to the terminal in the plug which is marked with the letter **N** or coloured **black**.

The wire which is coloured **brown** must be connected to the terminal in the plug which is marked with the letter **L** or coloured **red**.

Turn the power off at the mains to disconnect the main power for all unit.

# CONTENTS

Important Safety Instructions .....	4
Limitation of Liability .....	5
Disclaimer of Warranty .....	5
Preface .....	6
Features .....	6
Precautions .....	7
Major Operating Controls and Their Functions .....	8
Precautions for Installation .....	9
Installations/Connections .....	10
■ Preparations .....	10
■ Camera installation .....	10
About Setup Menus .....	21
■ Basic operation .....	22
Setting Procedures .....	23
Language Setup (LANGUAGE SETUP) .....	23
1. Camera Identification Setting (CAMERA ID) .....	23
2. Light Control Mode Setting (ALC) .....	24
3. Shutter Speed Setting (SHUTTER) .....	25
4. Gain Control Setting (AGC) .....	26
5. Electronic Sensitivity Enhancement (SENS UP) .....	26
6. Synchronization Setting (SYNC) .....	26
7. White Balance Setting (WHITE BAL) .....	27
8. Motion Detection Setting (MOTION DET) .....	27
9. Digital Noise Reduction Setting (DNR) .....	29
10. Resolution Setting (RESOLUTION) .....	29
11. Black and White Mode Setting (BW MODE) .....	29
12. Privacy Zone Setting (PRIVACY ZONE) .....	30
13. Electronic Zoom (EL-ZOOM) .....	30
14. Auto Image Stabilizer (STABILIZER) .....	31
15. LED Setting (LED) .....	31
16. Back-focus Setting (BACK-FOCUS SETUP) .....	31
17. Special Menu (SPECIAL SETUP) .....	32
Troubleshooting .....	34
Specifications .....	35
Standard Accessories .....	36

# Important Safety Instructions

- 1) Read these instructions.
- 2) Keep these instructions.
- 3) Heed all warnings.
- 4) Follow all instructions.
- 5) Clean only with dry cloth.
- 6) Do not block any ventilation openings. Install in accordance with the manufacturer's instructions.
- 7) Do not install near any heat sources such as radiators, heat registers, stoves, or other apparatus (including amplifiers) that produce heat.
- 8) Do not defeat the safety purpose of the polarized or grounding-type plug. A polarized plug has two blades with one wider than the other. A grounding type plug has two blades and a third grounding prong. The wide blade or the third prong are provided for your safety. If the provided plug does not fit into your outlet, consult an electrician for replacement of the obsolete outlet.
- 9) Protect the power cord from being walked on or pinched particularly at plugs, convenience receptacles, and the point where they exit from the apparatus.
- 10) Only use attachments/accessories specified by the manufacturer.
- 11) Use only with the cart, stand, tripod, bracket, or table specified by the manufacturer, or sold with the apparatus. When a cart is used, use caution when moving the cart/apparatus combination to avoid injury from tip-over.



- 12) Unplug this apparatus during lightning storms or when unused for long periods of time.

## Limitation of Liability

THIS PUBLICATION IS PROVIDED "AS IS" WITHOUT WARRANTY OF ANY KIND, EITHER EXPRESS OR IMPLIED, INCLUDING BUT NOT LIMITED TO, THE IMPLIED WARRANTIES OF MERCHANTABILITY, FITNESS FOR ANY PARTICULAR PURPOSE, OR NON-INFRINGEMENT OF THE THIRD PARTY'S RIGHT.

THIS PUBLICATION COULD INCLUDE TECHNICAL INACCURACIES OR TYPOGRAPHICAL ERRORS. CHANGES ARE ADDED TO THE INFORMATION HEREIN, AT ANY TIME, FOR THE IMPROVEMENTS OF THIS PUBLICATION AND/OR THE CORRESPONDING PRODUCT (S).

## Disclaimer of Warranty

IN NO EVENT SHALL Panasonic Corporation BE LIABLE TO ANY PARTY OR ANY PERSON, EXCEPT FOR REPLACEMENT OR REASONABLE MAINTENANCE OF THE PRODUCT, FOR THE CASES, INCLUDING BUT NOT LIMITED TO BELOW:

- (1) ANY DAMAGE AND LOSS, INCLUDING WITHOUT LIMITATION, DIRECT OR INDIRECT, SPECIAL, CONSEQUENTIAL OR EXEMPLARY, ARISING OUT OF OR RELATING TO THE PRODUCT;
- (2) PERSONAL INJURY OR ANY DAMAGE CAUSED BY INAPPROPRIATE USE OR NEGLIGENT OPERATION OF THE USER;
- (3) UNAUTHORIZED DISASSEMBLE, REPAIR OR MODIFICATION OF THE PRODUCT BY THE USER;
- (4) INCONVENIENCE OR ANY LOSS ARISING WHEN IMAGES ARE NOT DISPLAYED, DUE TO ANY REASON OR CAUSE INCLUDING ANY FAILURE OR PROBLEM OF THE PRODUCT;
- (5) ANY PROBLEM, CONSEQUENTIAL INCONVENIENCE, OR LOSS OR DAMAGE, ARISING OUT OF THE SYSTEM COMBINED BY THE DEVICES OF THIRD PARTY;
- (6) ANY CLAIM OR ACTION FOR DAMAGES, BROUGHT BY ANY PERSON OR ORGANIZATION BEING A PHOTOGENIC SUBJECT, DUE TO VIOLATION OF PRIVACY WITH THE RESULT OF THAT SURVEILLANCE-CAMERA'S PICTURE, INCLUDING SAVED DATA, FOR SOME REASON, BECOMES PUBLIC OR IS USED FOR THE PURPOSE OTHER THAN SURVEILLANCE.

# Preface

Panasonic's WV-CW384 and WV-CW380 cameras introduce high picture quality by use of Super-Dynamic 1/3-inch type {1/3"} CCD and digital signal processing LSIs. These cameras are designed for installation on the wall or the ceiling, using the supplied camera mount bracket.

# Features

## **Introduction of SUPER-D3 (super dynamic function)**

Integration of SUPER-D3 into the CCD and signal processing circuit has achieved approximately 160 times higher dynamic range as compared with conventional camera. Therefore, a photographic subject on which much illuminance difference exists resulting from bright and dark areas can be naturally displayed in an image.

## **Auto back focus function (ABF) equipped**

The back focus adjustment can be performed through the operation buttons on this unit and the setup menu. The back focus can be remotely adjusted through the system controller (option) even after installation of this unit. The auto back focus function also allows users to correct out of focus when changing between color and black-and-white images.

## **High sensitivity achieved thanks to noise reduction function**

The introduction of low noise circuit design has achieved excellently high sensitivity resulting in the minimum illuminance of 0.65 lx in the color mode and 0.09 lx in the black-and-white mode.

## **Night monochrome image activation function equipped**

No operation is required at night because the image automatically changes from the color mode to the black-and-white mode at low illuminance.

## **Motion detector function equipped**

If motion is observed in the monitor, the camera is covered with a cloth, a cap, or the like, or the camera direction is changed during monitoring, an alarm signal is provided.

# Precautions

## This product has no power switch.

Power is supplied from an external 12 V DC/24 V AC (WV-CW384) or 220 V to 240 V AC (WV-CW380) power-supply device. Refer to service personnel for how to turn on/off the power.

## To keep on using with stable performance

- Parts of this product may deteriorate and it may shorten lifetime of the product when using in locations subject to high temperatures and high humidity.  
Do not expose the product to direct heat such from a heater.
- Use this product at temperature within  $-30\text{ }^{\circ}\text{C}$  to  $+50\text{ }^{\circ}\text{C}$ \* and humidity below 90 %.  
\*  $-10\text{ }^{\circ}\text{C}$  to  $+50\text{ }^{\circ}\text{C}$  at 12 V DC

## Do not drop metallic parts through slots.

This could permanently damage this product. Turn the power off immediately and contact qualified service personnel for service.

## Do not rub the edges of metal parts with your hand.

Failure to observe this may cause injury.

## Do not attempt to disassemble this product.

To prevent electric shock, do not remove screws or covers. There are no user-serviceable parts inside. Ask qualified service personnel for servicing.

## Handle this product with care.

Do not abuse this product. Avoid striking, shaking, etc. The product could be damaged by improper handling or storage.

## Cleaning this product body

Turn the power off when cleaning the product. Use a dry cloth to clean the product. Do not use strong abrasive detergent when cleaning the product body. When the dirt is hard to remove, use a mild detergent and wipe gently. Then, wipe off the remaining detergent with a dry cloth. Otherwise, it may cause discoloration. When using a chemical cloth for cleaning, read the caution provided with the chemical cloth product.

## Clean the lens with care.

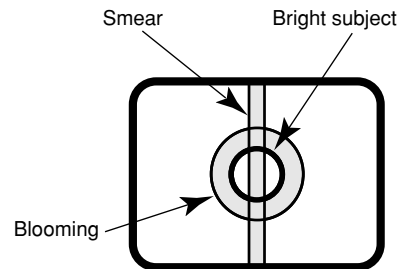
Do not clean the lens with strong or abrasive detergents. Use lens tissue or a cotton tipped applicator and ethanol.

## Discoloration on the CCD color filter

When continuously shooting a bright light source such as a spotlight, the color filter of the CCD may have deteriorated and it may cause discoloration. Even when changing the fixed shooting direction after continuously shooting a spotlight for a certain period, the discoloration may remain.

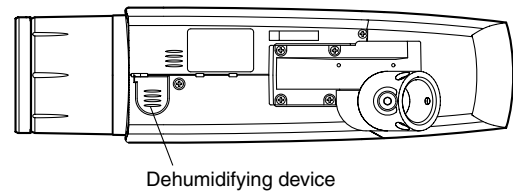
## Do not aim this product at strong light sources.

A light source such as a spot light causes a blooming (light bleeding) or a smear (vertical lines).



## About the dehumidifying device

- This product has dehumidifying device to keep the inside at low moisture level, preventing condensation and quickly dissipating dew if produced.
- Dew may be produced depending on the conditions of temperature, humidity, winds, and rain, and it may take time to dehumidify.
- Never seal the surfaces of the dehumidifying device.



**Turn the circuit breaker off which supplies this product with the power when abnormal conditions are encountered.**

## Do not operate this product beyond the specified temperature, humidity or power source ratings.

Use this product at temperature within  $-30\text{ }^{\circ}\text{C}$  to  $+50\text{ }^{\circ}\text{C}$ \* and humidity below 90 %. The input power source is 12 V DC/24 V AC (WV-CW384) or 220 V to 240 V AC (WV-CW380).

\*  $-10\text{ }^{\circ}\text{C}$  to  $+50\text{ }^{\circ}\text{C}$  at 12 V DC

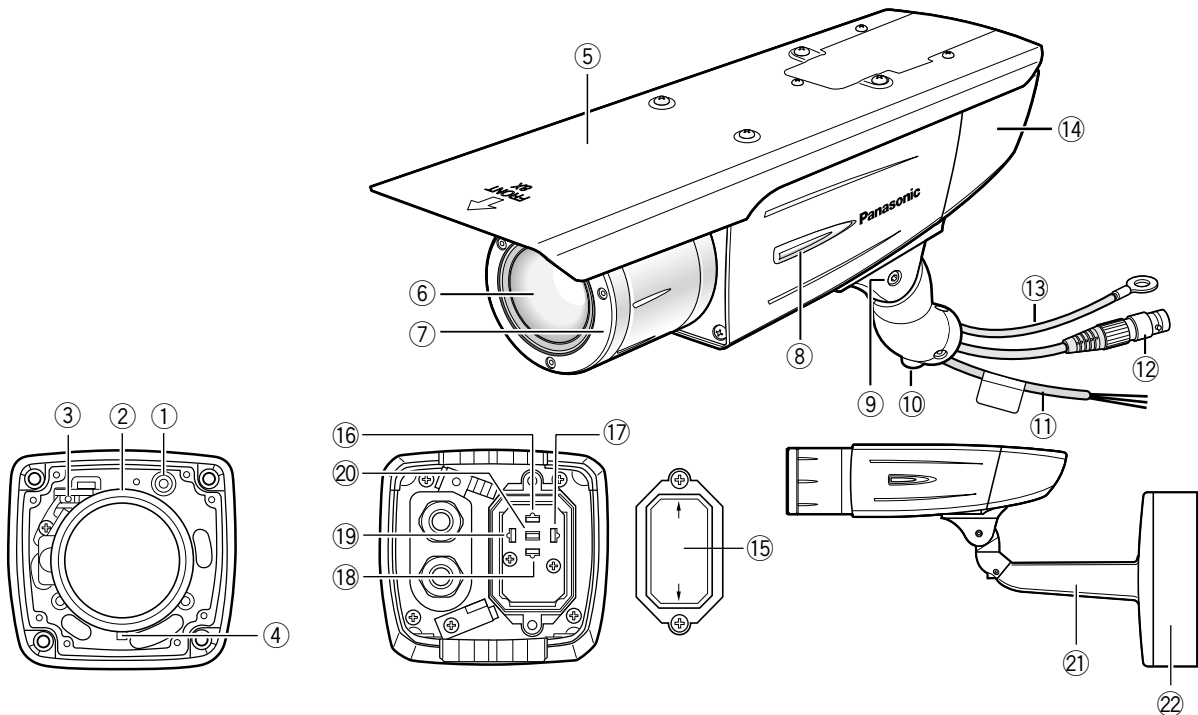
## Use at low temperatures

- To operate the camera at temperatures of  $-10\text{ }^{\circ}\text{C}$  or lower, it will take 30 minutes or more after turning on the power to warm up the camera.
- Images may be disturbed because the built-in heater is automatically toggled between ON and OFF resulting from a change in usage environment.

## What to do if OVER HEAT appears on the display.

This message indicates that the inside of this product has become extremely hot. Immediately turn off the product and contact your dealer.

# Major Operating Controls and Their Functions



① **Monitor output jack**  
( $\varnothing 3.5$  mm mini jack (monaural))

Connects to a monitor for adjustment to adjust the view angle and focus.

② **Zoom adjustment ring**  
Adjusts the zoom position. (☞ page 16)

③ **Auto back focus button**  
Activates the auto back focus function.

④ **Focus lock knob**  
Locks the focal point. (☞ page 16)

⑤ **Sunshield (accessory)**

⑥ **Front glass**

⑦ **Lens cover**  
Protects the lens. The lens cover is removed at lens adjustment. After lens adjustment, the fixing screws shall be securely tightened. (☞ page 15)

⑧ **LED**  
Lights, blinks, or goes off depending on settings. (☞ page 31)

⑨ **Tilting lock screw**  
Locks the tilt position. (☞ page 15)

⑩ **Panning lock screw**  
Locks the panning position. (☞ page 15)

⑪ **Power cord**

**Caution:**

- This cord supplies 12 V DC/24 V AC (WV-CW384) or 220 V to 240 V AC (WV-CW380) from an external power source.

⑫ **Video output cable**

⑬ **Safety wire**

⑭ **Rear cover**

⑮ **Switch cover**

This cover is removed at operating the operation buttons. After the button operation, the fixing screws shall be securely tightened. (☞ page 17)

⑯ - ⑳ **Operation buttons**

⑯ **Up button (UP)**

⑰ **Right button (RIGHT)**

⑱ **Down button (DOWN)**

⑲ **Left button (LEFT)**

⑳ **Set button (SET)**

㉑ **Camera mount bracket (accessory)**

㉒ **Adapter box (accessory)**



# Precautions for Installation

## Installing place

Contact your dealer for assistance if you are unsure of an appropriate place in your particular environment.

Make sure that the installation area is strong enough to hold this product, such as a concrete ceiling. When the installation area is not strong enough, reinforce and strengthen it.

## Avoid installing this product in the following locations.

- Locations where a chemical agent is used such as a swimming pool
  - Locations subject to steam and oil smoke such as a kitchen
  - Locations near flammable gas or vapor
  - Locations where radiation or x-ray emissions are produced
  - Locations subject to strong magnetic field or radio waves
  - Locations where corrosive gas is produced
  - Locations where it may be damaged by briny air such as seashores
  - Locations where the temperature is not within  $-30\text{ }^{\circ}\text{C}$  to  $+50\text{ }^{\circ}\text{C}^*$ .
- \*  $-10\text{ }^{\circ}\text{C}$  to  $+50\text{ }^{\circ}\text{C}$  at 12 V DC
- Locations subject to vibrations (This product is not designed for on-vehicle use.)

**Be sure to remove this product if it is not in use.**

## White balance

White balance may be not adjusted appropriately in the following cases.

- When a subject is extremely less white or nearly single colored
- When a subject is in the outdoors in the morning or evening or in the low illuminance state
- When a subject is in the atmosphere of extremely different color temperature (e.g. under color illumination)

## Keep the video output cable away from the lighting cable.

Failure to observe this may cause noise.

## Radio interference

When this product is used near TV/radio antenna, strong electric field or magnetic field (near a motor or a transformer), images may be distorted and noise sound may be produced. In such a case, run the camera cable through specialized conduit tubes.

## Mounting screws

Only the fixing screws are provided to fix this product with the provided mount bracket. It is necessary to procure screws or bolts to mount the product. Prepare them according to the material and strength of the area where the product is to be installed.

The screws and bolts must be tightened with an appropriate tightening torque according to the material and strength of the installation area. After tightening the screws or bolts, perform visual check to ensure tightening is enough and there is no backlash.

## Piping for cables

If this product is operated outdoors, be sure to install connecting tubes and run the cables through the tubes to protect the cables from being frozen or direct sunlight.

# Installations/Connections

**Caution:**

ONLY CONNECT THIS TO 24 V AC OR 12 V DC CLASS 2 POWER SUPPLY. (WV-CW384)

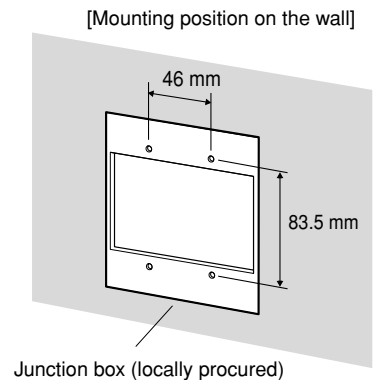
## ■ Preparations

The camera can be mounted either of the following ways.

- To mount the camera directly on the wall
- To mount the camera on the wall using an adapter box

**Note:**

- The screws that secure the camera mount bracket on a wall are not supplied. Prepare the screws according to the material, structure, strength and other factors of the mounting area and the total weight of objects to be mounted.

**Important:**

- Prepare the mounting screws according to the material of the area where the camera mount bracket is to be installed. In this case, wood screws and nails should not be used. Recommended tightening torque M4: 1.6 N·m
- Required pull-out capacity of a single screw/bolt is 196 N or more.
- If a ceiling board such as plaster board is too weak to support the total weight, the area shall be sufficiently reinforced.
- When using the provided adapter box, make sure that the drain slits do not face upward.

## ■ Camera installation

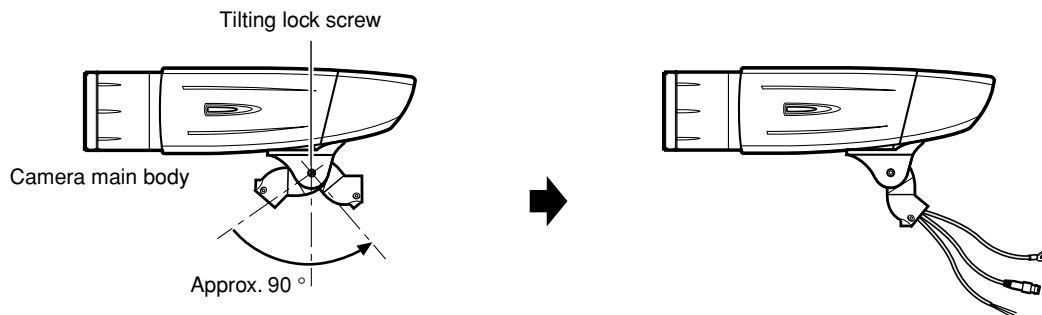
### 1 Secure the camera to the camera mount bracket

The tilt angle is locked downward at shipment.

1. Loosen the tilting lock screw approx. 1 rotation and adjust the tilt angle of the camera to the horizontal position.
2. Tighten the tilting lock screw again after tilt angle adjustment.

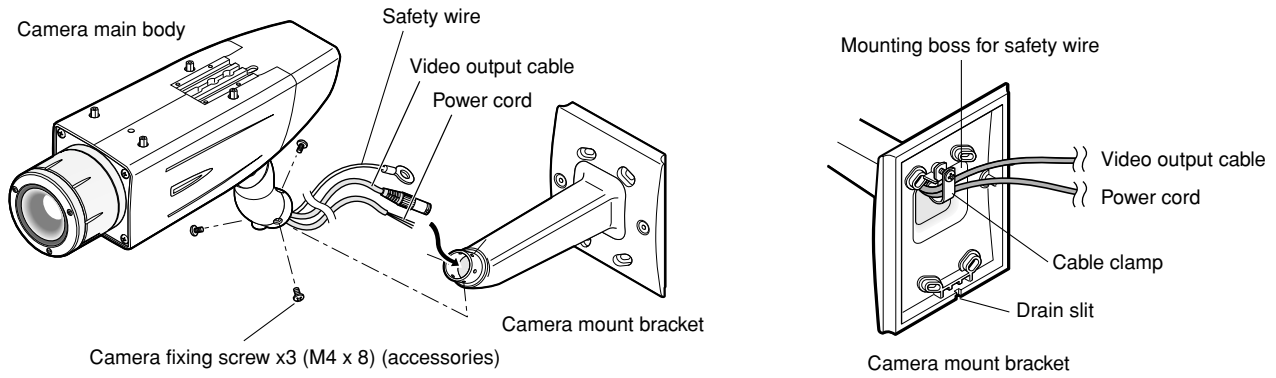
**Note:**

- Use a hexagonal wrench with width across flats of 4 mm (locally procured) to loosen or tighten the tilting lock screw.



3. Pass the video output cable, power cord and safety wire through the camera mount bracket from the camera side to the wall side and use the cable clamp to bundle the cables and wire.

4. Secure the camera to the camera mount bracket with the 3 camera fixing screws (accessories).



5. Remove the screw from the mounting boss for safety wire of the camera mount bracket and secure the safety wire with the screw.

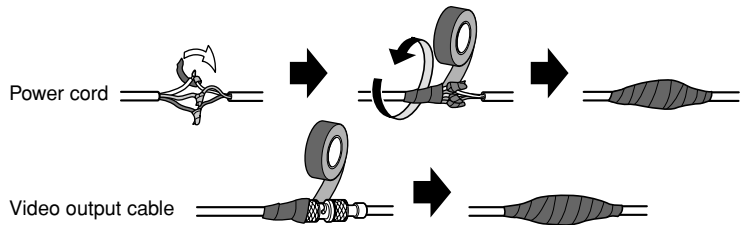
**Important:**

- Ensure that the safety wire is firmly secured. Recommended tightening torque: 0.59 N·m

**Important:**

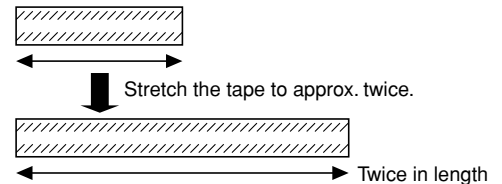
<Waterproof treatment>

- To install this product outdoors, be sure to waterproof the cables. The camera main body is waterproof, but the mount bracket and adapter box are not waterproof.
- To install this product outdoors, use waterproof silicon rubber or the like to apply waterproof treatment to the camera mount bracket, adapter box, cable access hole, screw holes, and screws.
- To install this product on a wall, face the drain slit of the camera mount bracket downward. Do not block the drain slit. Do not waterproof the drain slit, either.
- Be sure to use the supplied waterproof tape at the connection parts of the power cord and video output cable to apply waterproof treatment.



<How to wind the supplied waterproof tape>

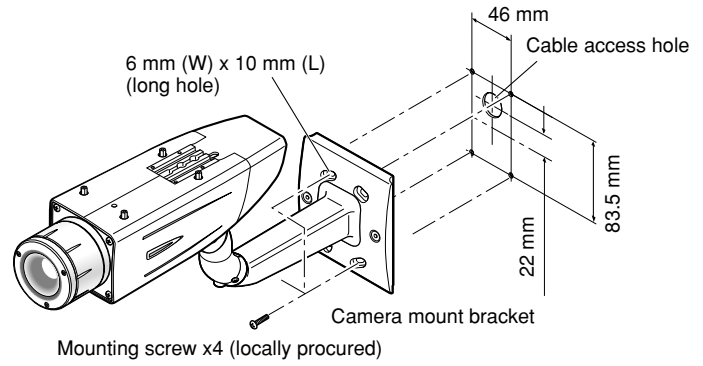
- Stretch the tape by approx. twice (see the illustration at right) and wind it around the cables. Insufficient tape stretch causes insufficient waterproofing.
- Wind the cable with tape in a half-overlapping manner.



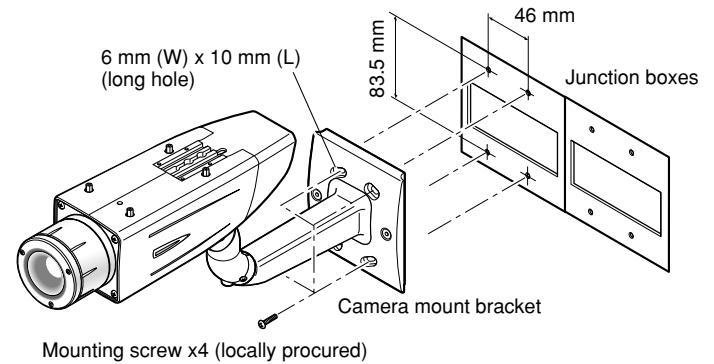
## 2 Secure the camera mount bracket

- **When the camera is directly installed on a wall**

Use 4 screws (locally procured) to secure the camera mount bracket to a wall or a junction box (locally procured).

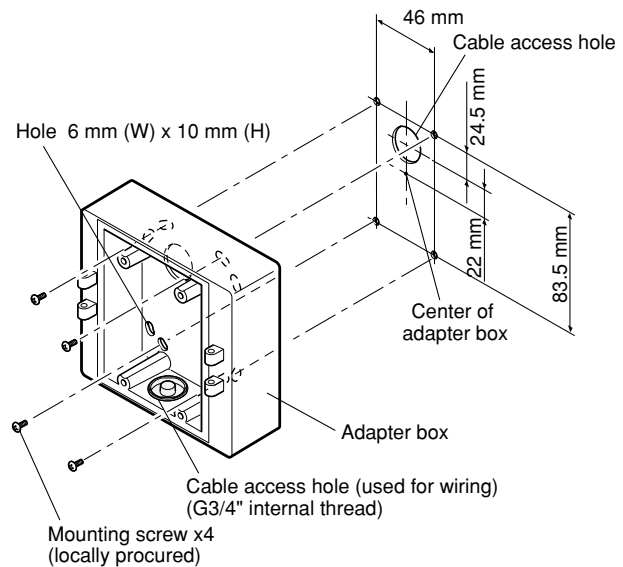


If a junction box is used, putting the boxes side by side is recommended as shown in the illustration at right. (for easy cable passing)

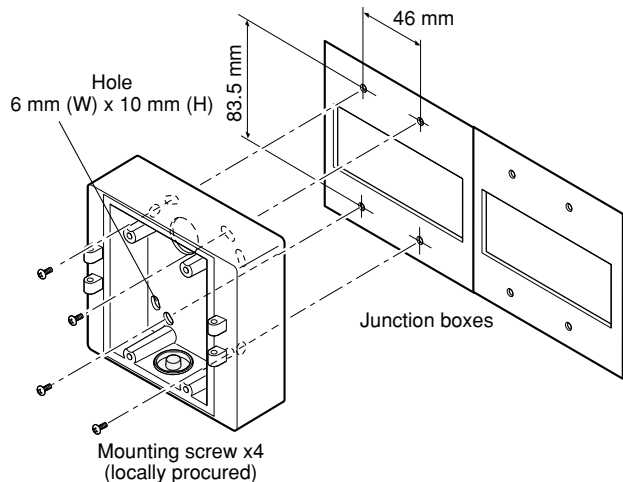


- **When the camera is installed on a wall using the adapter box**

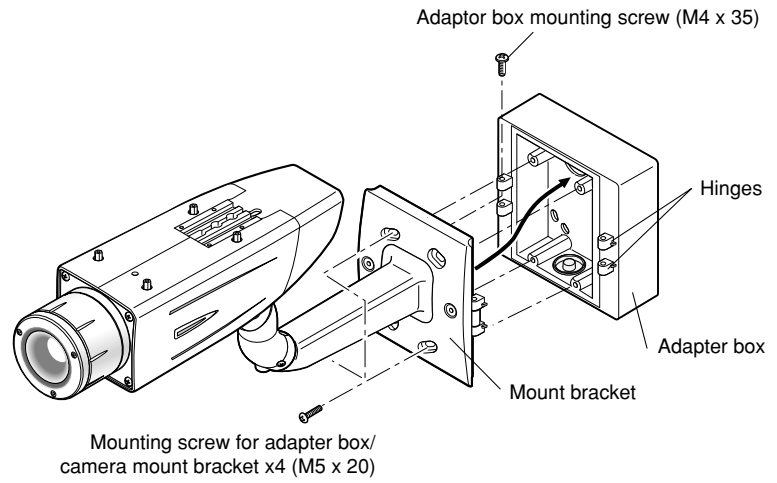
1. Use 4 screws (locally procured) to secure the adapter box to a wall or a junction box (locally procured).



- If a junction box is used, putting the boxes side by side is recommended as shown in the illustration at right. (for easy cable passing)

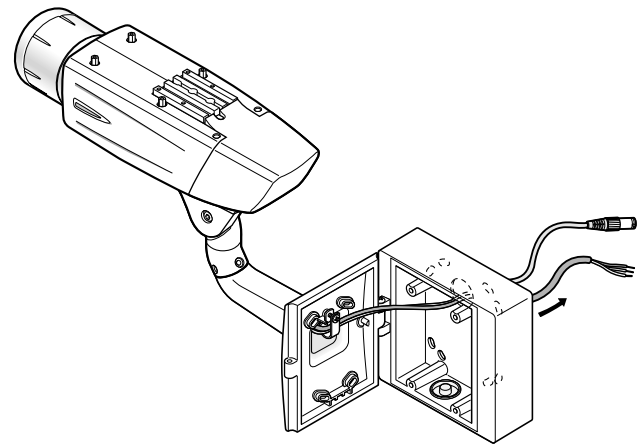


2. Attach the camera mount bracket to the left or right hinges of adapter box.

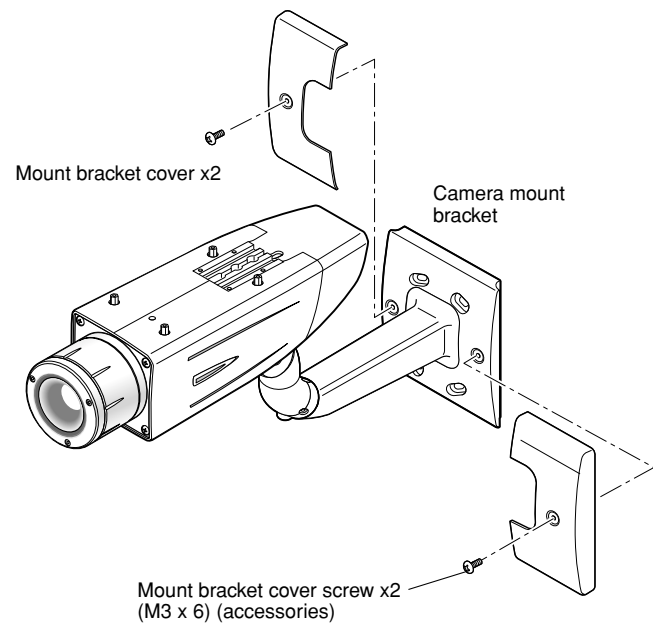


**Note:**

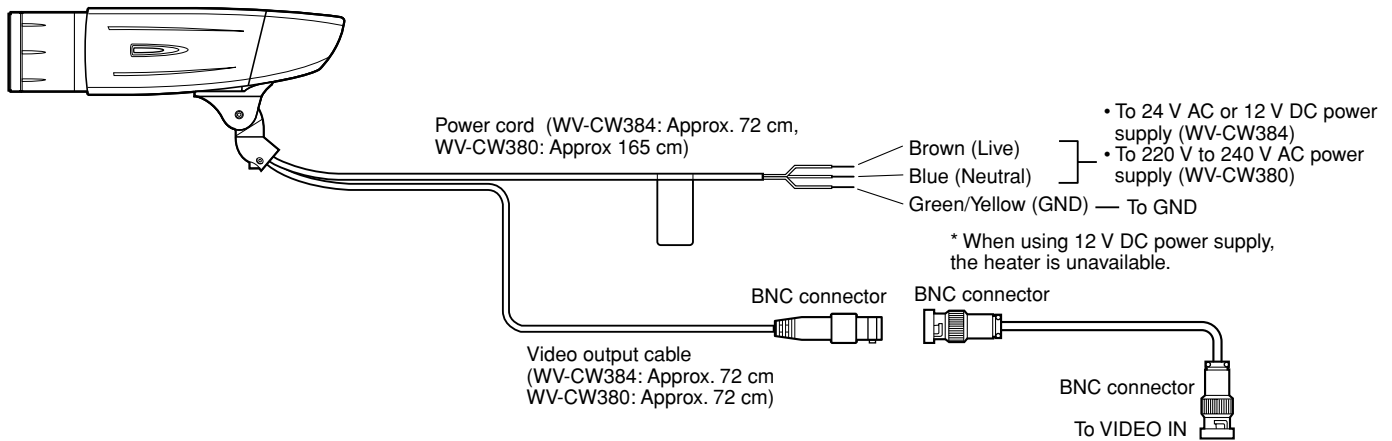
- The right or left hinges of the adapter box shall be selected so as to prevent the motion of the camera mount bracket from being interfered with by obstructions such as a wall when the camera mount bracket is connected to the hinges of the adapter box.



- 3** Secure the mount bracket covers to the camera mount bracket with the 2 mount bracket cover screws (accessories).



## 4 Make a connection



### Video output connection

The video output connector is connected to the monitor or other system devices with a coaxial cable (locally procured).

The maximum extensible length is shown in the table.

Type of coaxial cable	RG-59/U (3C-2V)	RG-6/U (5C-2V)	RG-11/U (7C-2V)	RG-15/U (10C-2V)	
Recommended maximum cable length	m	250	500	600	800

### Power connection

#### Caution:

- The following connections should be made by qualified service personnel or system installers in accordance with NEC 725-51.

#### • Wire colors & functions

##### Camera power cord

<WV-CW384>

Wire Color	24 V AC	12 V DC
Brown	24 V AC (L)	Positive
Blue	24 V AC (N)	Negative
Green/Yellow	To GND	To GND

<WV-CW380>

Wire Color	
Brown	220 V to 240 V AC (L)
Blue	220 V to 240 V AC (N)
Green/Yellow	To GND

#### Cautions:

- Be sure to connect the GND (grounding) lead of the camera and grounding terminal of the power supply when using a 24 V AC (WV-CW384) or 220 V to 240 V AC (WV-CW380) power source.
- Shrinking the cord-entry seal is a onetime procedure. Do not shrink the cord-entry seal until it has been ascertained that unit is functioning.

- ONLY CONNECT THIS TO 24 V AC or 12 V DC CLASS 2 POWER SUPPLY.
- To prevent fire or electric shock hazard, the UL listed wire VW-1 style 1007 should be used for the cord for Input Terminals.
- Do not use a transformer larger than 10 VA.

### Cord length and wire gauge

#### <WV-CW384>

##### 24 V AC

The recommended cord length and copper wire size are shown in the table for reference.

The voltage supplied to the camera should be between 19.5 V AC and 28 V AC.

Recommended wire gauge for 24 V AC line.

Copper wire size (AWG)	#24 (0.22 mm <sup>2</sup> )	#22 (0.33 mm <sup>2</sup> )	#20 (0.52 mm <sup>2</sup> )	#18 (0.83 mm <sup>2</sup> )	
Wire length (Approx.)	m	20	30	45	75

##### 12 V DC

The recommended resistance and copper wire size are shown in the table for reference.

The voltage supplied to the camera should be between 10.5 V DC and 16 V DC.

Resistance of copper wire [at 20 °C]

Copper wire size (AWG)	#24 (0.22 mm <sup>2</sup> )	#22 (0.33 mm <sup>2</sup> )	#20 (0.52 mm <sup>2</sup> )	#18 (0.83 mm <sup>2</sup> )
Resistance (Ω/m)	0.078	0.050	0.03	0.018

"L", "R", "V<sub>A</sub>", and "I" shall satisfy the inequality below.

$$10.5 \text{ V DC} \leq V_A - 2(R \times I \times L) \leq 16 \text{ V DC}$$

L : Cord length (m)

R : Resistance of copper wire (Ω/m)

V<sub>A</sub> : DC output voltage of power supply unit

I : DC current consumption (A). See the specification.

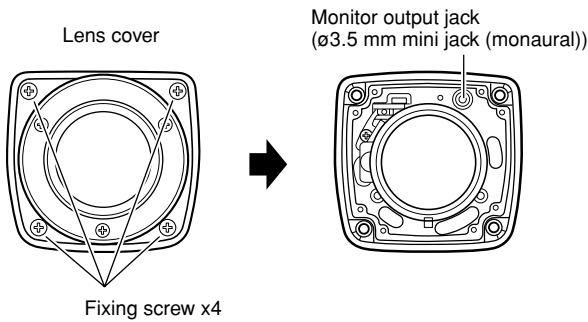
#### Important:

- When using 12 V DC power supply, the heater is unavailable.

## 5 Be sure to view the monitor for adjustment when the camera angle is adjusted.

Supply power to this unit, connect the monitor for adjustment (e.g. a small LCD) to the monitor output jack, and adjust the camera angle (turn off the power after view angle adjustment for safety).

1. Loosen the 4 fixing screws of the lens cover to remove the lens cover.
2. Connect the monitor for adjustment to the monitor output jack.



### Important:

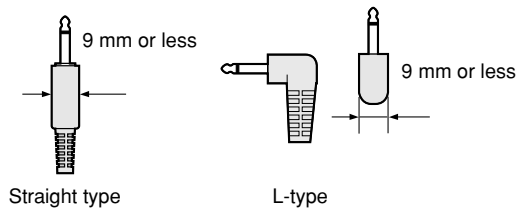
- After camera angle adjustment, the panning lock screw and tilting lock screw shall be securely tightened.  
Recommended tightening torque: 2.45 N·m

### Notes:

- Use a hexagonal wrench with width across flats of 4 mm (locally procured) to loosen or tighten the panning lock screw and tilting lock screw.
- Approximately 1 rotation of loosening the panning lock screw and tilting lock screw allows camera angle adjustment. Do not loosen the screws beyond necessity.
- The camera body shall be held when the panning lock screw or tilting lock screw is loosened.
- Focus adjustment (page 16) shall be performed when panning and tilting adjustments are performed.

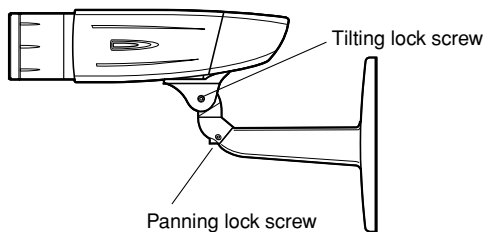
### Note:

- The plug dimensions in the illustration below shall be observed for the monitor for adjustment.



3. Repeat the steps (1) and (2) to adjust the camera angle.

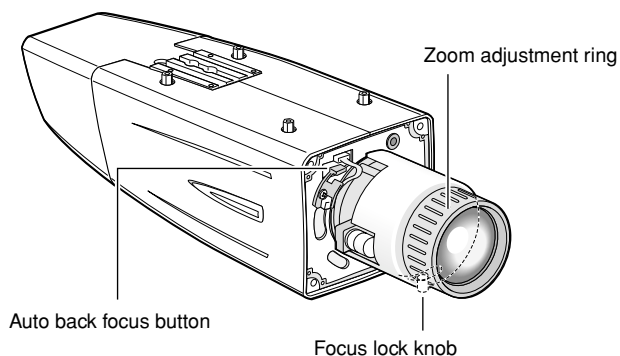
- (1) Loosen the panning lock screw and rotate the camera head horizontally to adjust panning.
- (2) Loosen the tilting lock screw and rotate the camera head vertically to adjust tilting.
- (3) Tighten the panning lock screw and tilting lock screw after camera angle adjustment.



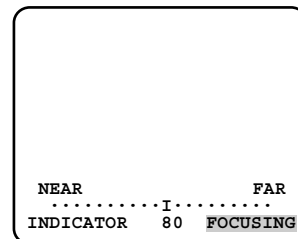
## 6 Adjust the focus

Focus adjustment must be performed when camera angle (☞ page 15) adjustment are performed.

1. Repeat the steps (1) and (2) to adjust the view angle and focus.
  - (1) Rotate the zoom adjustment ring to adjust the view angle between TELE and WIDE.
  - (2) Loosen the focus lock knob, make coarse adjustment of the focus, and then tighten the focus lock knob.



2. Press the auto back focus button after adjusting the view angle while viewing the monitor for adjustment.
  - The focus position indicator is displayed in the lower part of the screen, and the back focus is automatically adjusted.



3. To perform fine adjustment of the back focus after automatic back focus adjustment, use the operation buttons through the setup menu. (☞ page 31)

---

### Notes:

- No operation for 10 seconds or more automatically clears the focus position indicator.
- To change the angle of view by moving the zoom adjustment ring, also move the focus lock knob to adjust the focus.

---

### <How to adjust the focus>

- When an auto iris lens is used to shoot a photographic subject, the originally adjusted focus may be slightly off depending on the iris state resulting from the focal depth of the lens. In such a case, open the aperture by darkening the subject as much as possible in the same way of taking picture, and then adjust the focus. Defocus can be prevented. Use of "ABF" of "BACK-FOCUS SETUP" in the setup menu (☞ page 31) allows users to adjust the focus optimally in the range of the capability to automatically follow the variation in illuminance. (Note: The adjusted focal point is not necessarily the same as the optimal focal point at the illuminance.)
- The out-of-focus level in the near-infrared light region may be higher than that in the visible light region. Setting "C/L ↔ B/W" of "BACK-FOCUS SETUP" to "AUTO" or "PRESET" in the setup menu allows users to adjust the focus in both the near-infrared light and visible light regions. (The variation in illuminance is not followed after focus adjustment.)

---

### <How to use varifocal lens>

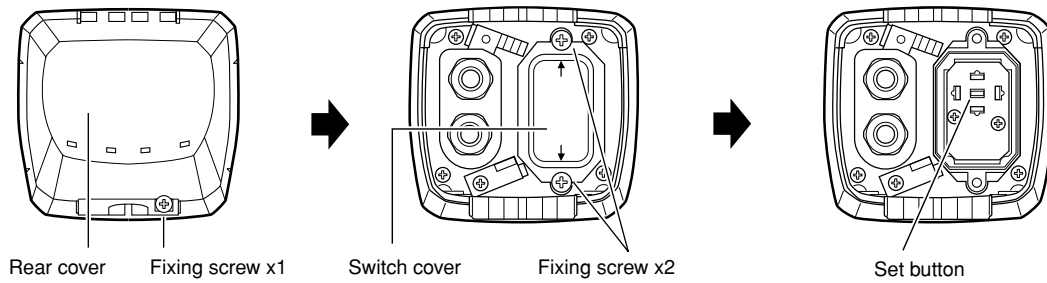
- Reset the back focus position to restore the default position before the back focus adjustment. (Hold down the right and left buttons among the operation buttons simultaneously for 2 seconds or more, or move the cursor to "MANUAL-ADJ" of "BACK-FOCUS SETUP" in the setup menu and hold down the right and left buttons simultaneously for 2 seconds or more after pressing the setting button.)



---

**<Fine adjustment of the back focus through the setup menu>**

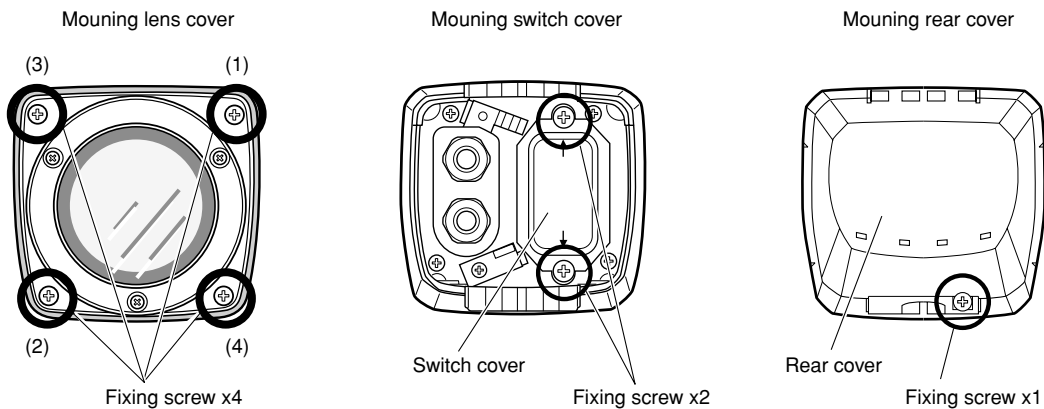
1. Loosen the 1 fixing screw of the rear cover to remove the rear cover.
2. Loosen the 2 fixing screws of the switch cover to remove the switch cover.
3. Hold down the setting button for 2 seconds or more to call up the top screen of the setup menu. And then adjust the back focus. For further information, refer to page 31.



---

**7 Mount the cover**

1. Attach the desiccant (accessory) to the inner bottom side of the lens cover.
2. Mount the lens cover, switch cover, and rear cover.



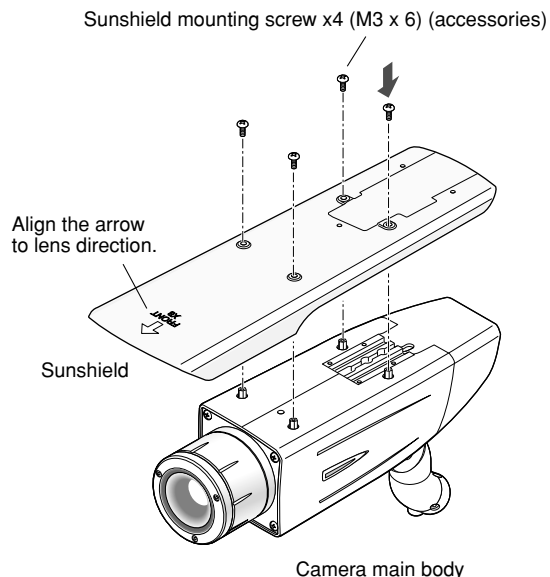
---

**Important:**

- The tightening torque described below shall be followed for the 2 fixing screws of switch cover and the 4 fixing screws of lens cover.  
Recommended tightening torque: 0.59 N·m
  - Be sure to attach the desiccant (accessory). Refer to the instructions for the desiccant for how to attach it.
  - The tightening sequence of the 4 fixing screws of the lens cover shall be observed and repeated twice as described in the illustration above.  
((1) → (2) → (3) → (4), twice)
-

## 8 Mount the sunshield

Mount the sunshield on the camera with the 4 sunshield mounting screws (accessories).

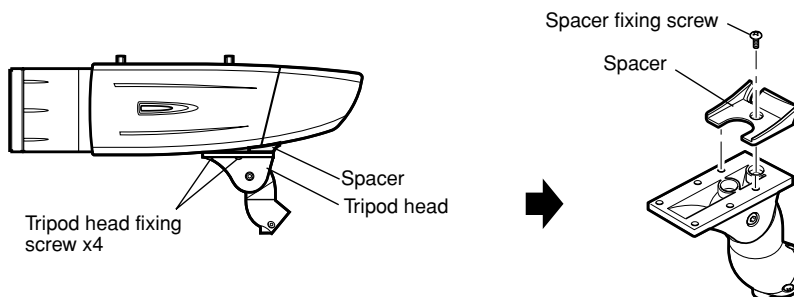


### Notes:

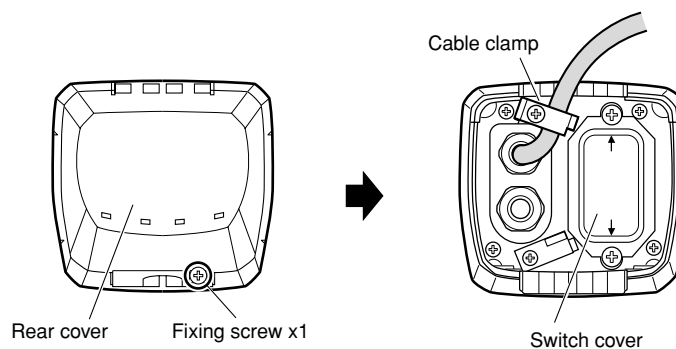
- Be sure to use the 4 sunshield mounting screws (accessories). Recommended tightening torque: 0.59 N·m
- The "FRONT" side of the sunshield shall be on the lens side.

## 9 When the mounting surface is changed to the top surface of the camera body

1. Remove the 4 tripod head fixing screws from the camera body and remove the tripod head.
2. Loosen the spacer fixing screw of the tripod head and remove the spacer.



3. Loosen the fixing screw and remove the rear cover.
4. Position the cable clamp topside to pass the video output cable and power cord upward. And then, mount the rear cover.



5. Mount the tripod head on the top of the camera body with the 4 tripod head mounting screws that were removed in the step 1.

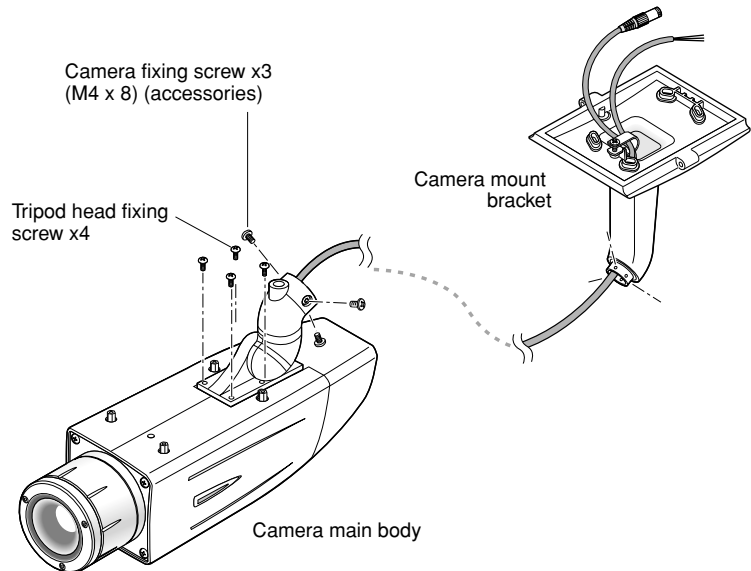
### Important:

- Caution shall be taken to prevent the video output cable and power cord from being caught between the camera body and tripod head.

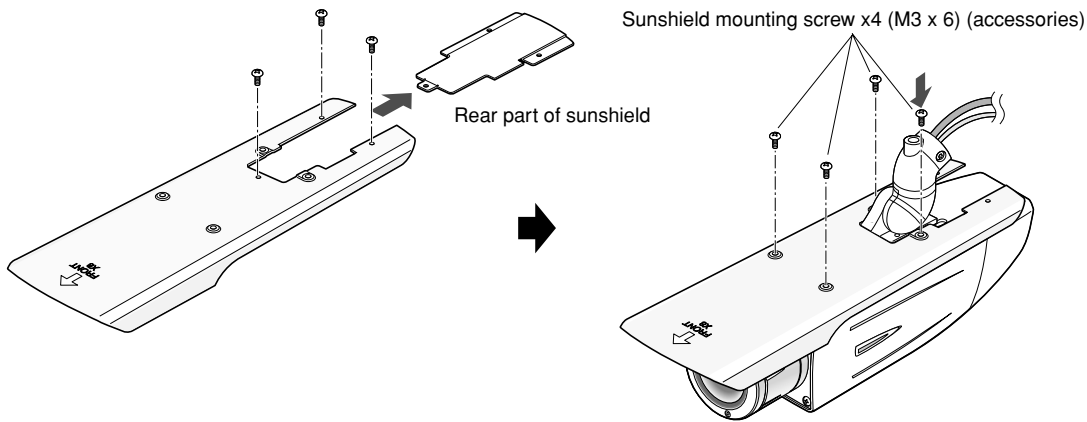
- Secure the camera to the camera mount bracket with the 3 camera fixing screws (accessories).  
Pass the video output cable, and power cord and safety wire through the camera mount bracket and secure the safety wire to the camera mount bracket.

**Important:**

- Be sure to use the screws that were removed from the tripod head.
- Recommended tightening torque: 0.59 N·m

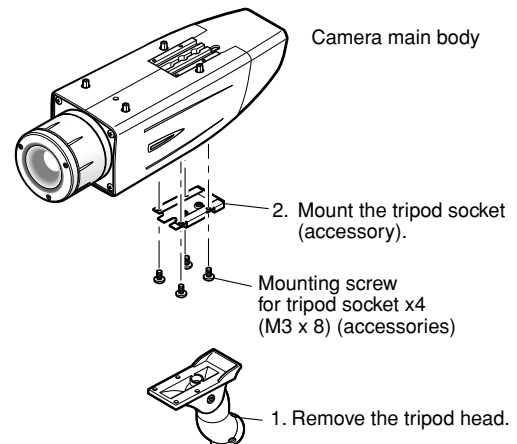


- Mount the sunshield on the camera body with the 4 sunshield mounting screws (accessories) after removing the sunshield backside.



**10 When the tripod socket (accessory) is used (when a different camera mount bracket is used)**

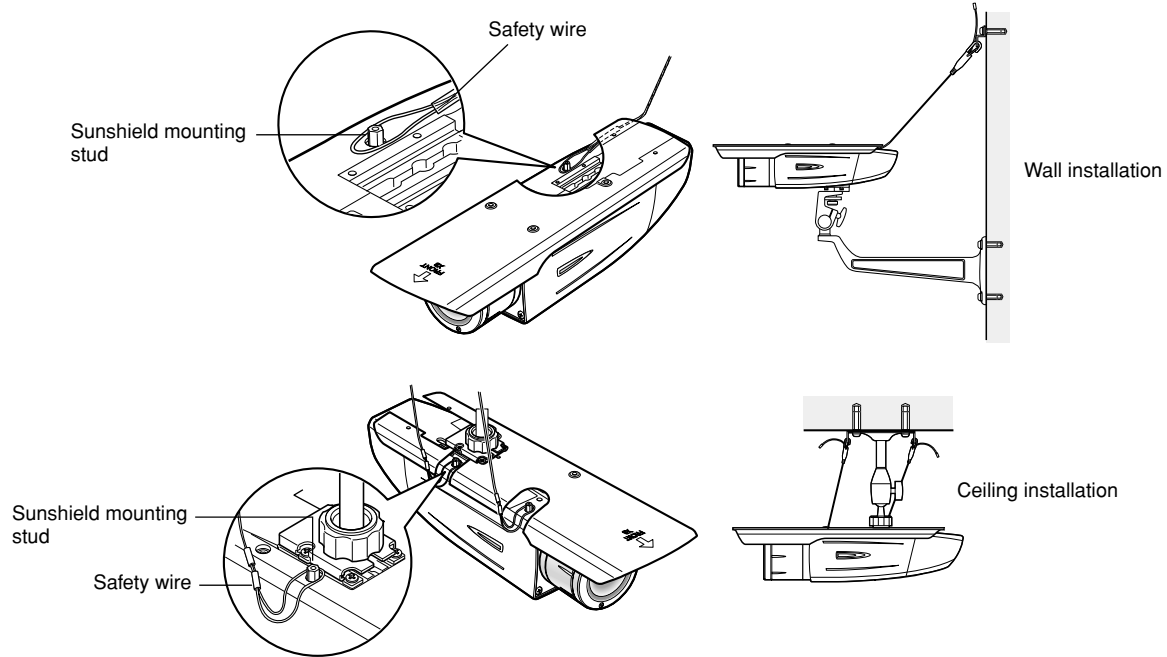
- Remove the 4 tripod head fixing screws from the camera body and remove the tripod head. Disassemble the tripod head and pull out the video output cable and power cord.
- Mount the tripod socket (accessory) with the 4 mounting screws for tripod socket (accessories).



3. Use a safety wire (locally procured) to take measures against a fall of the camera according to the installation position.

	Camera mount bracket	Safety wire
For wall installation	WV-831	WV-Q140
For ceiling installation	WV-7010A	WV-Q141

4. Hook the tip (ring portion) of the safety wire on the sunshield mounting stud and screw the sunshield to secure the safety wire.



5. Refer to the instructions of the safety wire for the following steps.

---

**Important:**

- Be sure to use the 4 mounting screws for tripod socket (accessories).  
Use of screws with inappropriate length may damage the unit.
  - The 4 screws removed from the tripod head cannot be used.
  - The camera mount brackets, WV-831 and WV-7010A, and the safety wires, WV-Q140 and WV-Q141, are designed to be used indoors. For outdoor installation, use the camera mount bracket in the accessories.
-

# About Setup Menus

Before operation, setup of this camera is required. On the setup menu, you can check current settings and perform settings to meet requirements.

The following is an example of setup procedure when "LANGUAGE" is set to "ENGLISH".

## Settings items of the camera setup page

Setup item	Description	Reference Pages
<b>CAMERA</b>	Configure the settings relating to camera operations	
CAMERA ID	The camera title can be edited and displayed on the screen.	23
ALC	Configure the light control method.	24
SHUTTER	Select the shutter speed.	25
AGC	Select the method of the gain adjustment.	26
SENS UP	Adjust the sensitivity.	26
SYNC	Configure the method of the synchronization.	26
WHITE BAL	Select the method of the white balance adjustment.	27
MOTION DET	Configure the settings for the motion detection function.	27
DNR	Configure the settings for the DNR (Digital Noise Reduction) function.	29
RESOLUTION	Select a horizontal resolution mode.	29
BW MODE	Configure the settings relating to the BW mode such as the settings for switching between the color mode and the BW mode.	29
PRIVACY ZONE	It is possible to mask a designated zone and as a privacy zone.	30
EL-ZOOM	Adjust the electronic zoom.	30
STABILIZER	Select "ON" or "OFF" to determine whether or not to use the image stabilizer to prevent shaky images.	31
LED	Performs the settings for LED.	31
<b>BACK-FOCUS</b>	Select the method of the flange-back (back focal) length adjustment and adjust the flange-back (back focal) length minutely.	31
<b>SPECIAL</b>		32
CHROMA GAIN	Adjust the chroma level (color density).	32
AP GAIN	Adjust the aperture level.	32
PEDESTAL	Adjust the pedestal level (brightness).	32
PIX OFF	Correct image defects such as scratches.	32
CAMERA RESET	Reset the settings of setup menu to the default settings.	33
SER.NO.	Check the serial number of this camera.	33
<b>LANGUAGE</b>	Select the language to display the setup menu.	23

## ■ Basic operation

The following are descriptions of how to configure each setup item using the operation buttons (refer to page 8) on the camera. Setup using an optional system controller is also available.

---

### Note:

- The illustrations below are the examples to be displayed on a video monitor.
- 

- Hold down the [SET] button for around 2 seconds.  
→ The top page will be displayed.
- Move the cursor onto "END" by press the [UP] or [DOWN] button.

```

MODEL   WV-CW380 SERIES
CAMERA ↵
BACK-FOCUS ↵
SPECIAL ↵
LANGUAGE ↵

END     SETUP DISABLE
  
```

- Press the [SET] button after moving the cursor onto "SETUP" by pressing the [RIGHT] button.  
→ The "DISABLE" indication will change into "ENABLE" and the settings will become editable.

```

MODEL   WV-CW380 SERIES
CAMERA ↵
BACK-FOCUS ↵
SPECIAL ↵
LANGUAGE ↵

END     SETUP ENABLE
  
```

- Move the cursor onto the desired setup item and press the [SET] button.  
→ The setup page of the selected setup item will be displayed.

```

**CAMERA SETUP** 1/2
CAMERA ID   OFF ↵
ALC         ALC ↵
SHUTTER     OFF
AGC         ON (HIGH)
SENS UP     OFF
SYNC       INT
WHITE BAL   ATW1 ↵
MOTION DET  MODE1 ↵
DNR         HIGH
RESOLUTION  HIGH
BW MODE ↵
  
```

- Configure the settings for each item.  
**Select setup item:** Move the cursor by pressing the [UP] or [DOWN] button.

**Change the parameter:** Press the [LEFT] or [RIGHT] button.

**Display the detailed settings page of the setup item:** Press the [SET] button when the setup item with the [↵] mark is selected.

**Go back to the previous page:** Move the cursor onto "RET" and press the [SET] button.

**Go back to the top page:** Move the cursor onto "TOP" and press the [SET] button.

```

**CAMERA SETUP** 2/2
PRIVACY ZONE OFF
EL-ZOOM     OFF
STABILIZER  OFF
LED         ON

RET TOP END
  
```

- To exit from the SETUP menu and display images from the camera, move the cursor onto "END" and press the [SET] button.

---

### Notes:

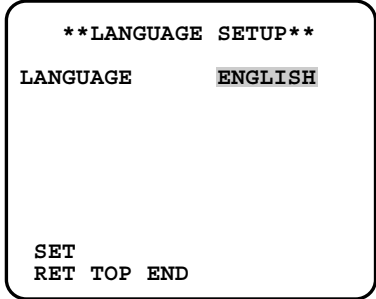
- To prevent erroneous operations, the "DISABLE" indication will always be displayed when the top page is displayed from the camera. To operate the SETUP menu, switch the "DISABLE" indication to the "ENABLE" indication first.
  - The cursor position will be displayed highlighted.
-

# Setting Procedures

First, select a language for menu display and camera ID display.

## Language Setup (LANGUAGE SETUP)

1. Select "LANGUAGE" on the top menu and press the [SET] button.  
→ The "LANGUAGE SETUP" menu opens.
2. Select a language. The default setting is "ENGLISH".  
**Available languages:** ENGLISH, FRANÇAIS, ESPAÑOL, DEUTSCH, ITALIANO, РУССКИЙ, CHINESE or JAPANESE
3. Select "SET" on the menu and press the [SET] button.



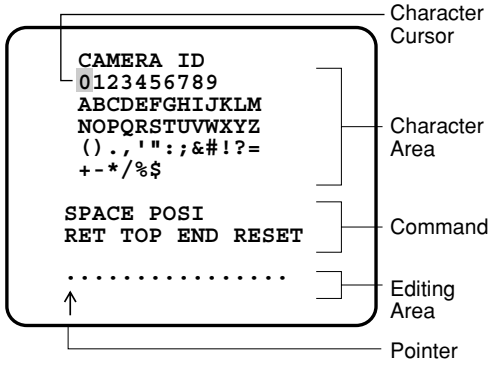
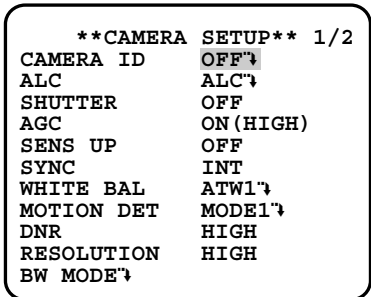
## 1. Camera Identification Setting (CAMERA ID)

Assign a name to the camera using up to 16 characters to display it overlaying on the camera picture in the selected position.

**Note:**

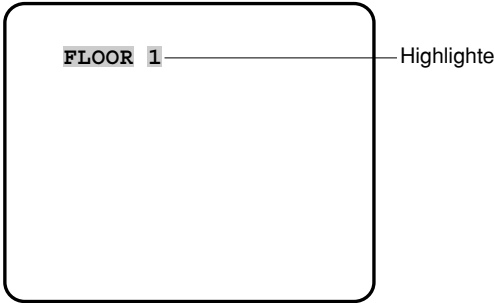
- If you change the language selection after the assignment of camera ID, it will be erased.

1. On the "CAMERA SETUP" menu, select "ON" or "OFF" for "CAMERA ID" and press the [SET] button.  
**ON**: Displays entered camera ID.  
**OFF**: Does not display the ID.  
→ The "CAMERA ID" menu opens.
2. Select a character from the character area and press the [SET] button.  
→ The selected characters are displayed in the editing area.
3. Repeat these procedures until all characters are entered.
  - To enter a blank space, select "SPACE" and press the [SET] button.
  - To replace a specific character in the editing area:
    1. Move the cursor to the editing area and then move the pointer to the character to be replaced pressing the [LEFT] and [RIGHT] buttons.
    2. Move the cursor to a candidate character in the character area and press the [SET] button.
  - To erase all characters of the camera ID, select "RESET" and press the [SET] button.



**Note:**

- For Chinese language, up to 8 characters can be entered.



4. To specify the ID display position:
  1. Select "POSI" and press the [SET] button.
    - The entered camera ID will be highlighted on the screen.
  2. Move it into the appropriate position and press the [SET] button.
    - The position is determined and the screen will return to the "CAMERA ID" menu.

**Note:**

- Keep pressing any of [LEFT], [RIGHT], [UP], or [DOWN] button for a second or more to move the camera ID faster as necessary.

## 2. Light Control Mode Setting (ALC)

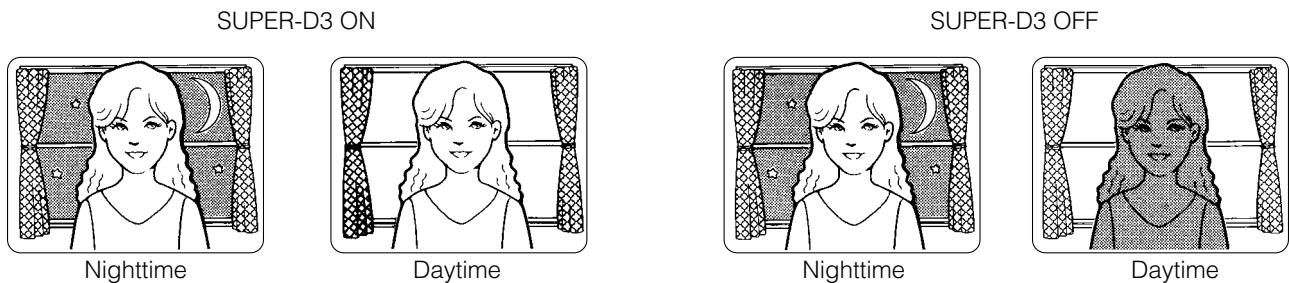
Select a light control mode depending on the lens type mounted.

**ALC**↕: Is applicable to the auto iris lens. "SUPER-D3" is available with this selection.

### 2-1. ALC Mode with SUPER-D3 ON

#### Super Dynamic 3 Function (SUPER-D3)

In the SUPER-D3 mode, more photometric weight is given to the center of the screen than to the edge where a bright backlight would most likely be located.



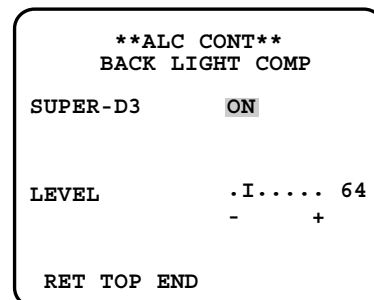
**SUPER-D3 ON:** Enables SUPER-D3 to compensate backlight automatically.

**SUPER-D3 OFF:** Enables manual setting to compensate backlight.

**Notes:**

- When set to "ON", the available parameters for "SHUTTER" and "SENS UP" will be limited as shown on the next page.
- Set "SUPER-D3" to "OFF" when noise in a bright portion, flickerings, or color deterioration are observed.

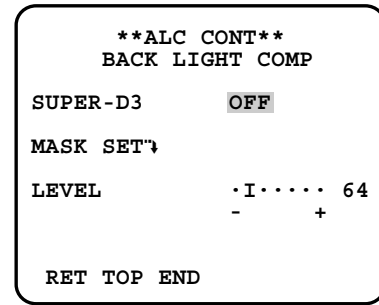
1. Move the cursor to "ALC" and press the [SET] button.
  - The "ALC CONT" menu opens.
2. Select "ON" for "SUPER-D3".
3. Adjust the video output level (LEVEL) by moving the "I" cursor.
  - It may be better to adjust "LEVEL" slightly higher.



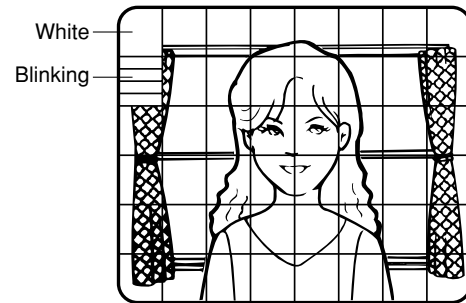
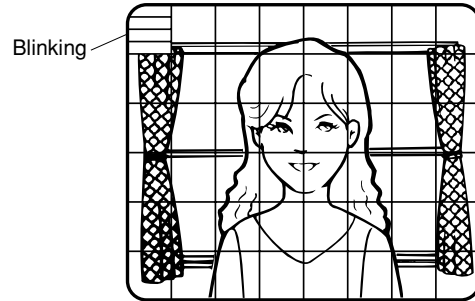


## 2-2. ALC Mode with SUPER-D3 OFF

1. Move the cursor to "ALC" on the "CAMERA SETUP" menu and select "OFF" for "SUPER-D3" on the "ALC CONT" menu.  
→ "MASK SET"↓ appears on the "ALC CONT" menu.



2. Select "MASK SET" and press the [SET] button.  
→ The 48 mask areas appear overlaid on the camera picture with the blinking cursor in the upper left corner.
3. Move the cursor to an area where the backlight is bright and press the [SET] button to mask the area.  
→ The masked area appears alternately white and blinking when the cursor is on the area, or it turns white when the cursor is on other areas.
4. To cancel masking, move the cursor to a masked area and press the [SET] button.  
→ When masking of the area is cancelled, it changes from white to normal.  
To cancel all the masking, press the [LEFT] and [RIGHT] buttons simultaneously for 2 seconds or more.



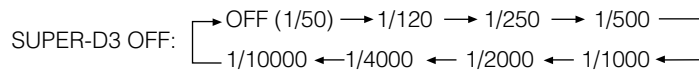
5. Repeat step 3 and 4 as necessary.
6. Press the [SET] button for 2 seconds or more.  
→ The "ALC CONT" menu appears.
7. Adjust the video output level (LEVEL) by moving "I" cursor.

**Note:**

- If "ON" is selected for "SUPER-D3", a shadow (black line) may appear at the boundary between the bright and the dim portions. This is a natural phenomenon and does not indicate trouble.

## 3. Shutter Speed Setting (SHUTTER)

Select a proper shutter speed when "ALC" is selected on the "CAMERA SETUP" menu. Selecting a faster speed will reduce blurring when objects quickly move. The default setting is "OFF".



**Notes:**

- Only "OFF" is available when "SUPER-D3" is set to "ON".
- When a faster speed is selected for the electronic shutter, the picture will generally become darker, and sometimes a smear (vertical stripes caused by bright objects) may appear.

## 4. Gain Control Setting (AGC)

Select an automatic gain control mode. This setting raises the gain and brightens the image under low light conditions. The default setting is "ON (HIGH)".

**Available modes:** ON (HIGH), ON (MID), ON (LOW), OFF

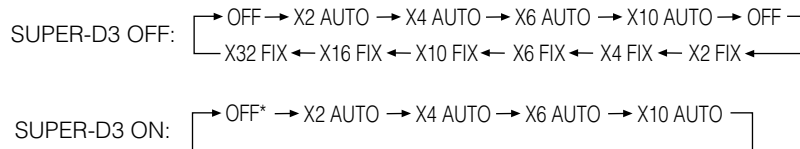
## 5. Electronic Sensitivity Enhancement (SENS UP)

Select a proper enhancement rate when the camera is set to ALC mode. The higher rate you select, the brighter the picture will be. The default setting is "OFF".

**AUTO:** Sets "AGC" to "ON" and adaptively raises the sensitivity up to the selected amplification rate, for example 10 times when set to "X10 AUTO".

**FIX:** Raises the sensitivity fixedly to the selected rate.

**OFF:** Does not raise the sensitivity.



\* Default

---

### Notes:

- Some types of system controllers may not operate some of the SENS UP functions. If this happens, use the operation buttons on the camera.
  - When you select "AUTO" for "SENS UP" and "ON" for "SUPER-D3", the SENS UP function has priority so that the SUPER-D3 function is not activated automatically.
  - While the SENS UP function is selected, noise, spots or a whitish phenomenon may appear in the picture when the sensitivity of the camera is increased. This is a normal phenomenon.
  - Only when "OFF", "X2 FIX", or "X2 AUTO" is selected for sensitivity enhancement (SENS UP), it is possible to perform ABF adjustment or to select "AUTO" for "C/L ↔ B/W" on the "BACK-FOCUS SETUP" menu. When a sensitivity rate other than "X2 FIX" or "X2 AUTO" is selected, use "PRESET" and "FIX" for "C/L ↔ B/W" on the "BACK-FOCUS SETUP" menu.
- 

## 6. Synchronization Setting (SYNC)

1. Select a sync mode.

**VD2:** Multiplexed vertical drive, highest priority

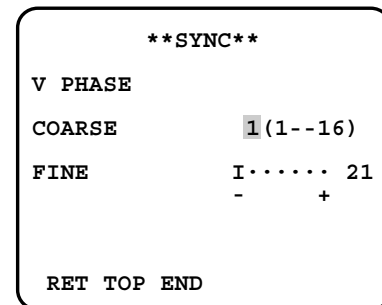
**LL:** Line-Lock, follows the phase of supplied AC power, 2nd priority

**INT:** Internal sync, lowest priority

---

### Notes:

- Selection is not available when VD2 is added to the camera. Selection from "LL" is available when the respective sync is added.
  - When "LL" is selected, phase adjustment is required.
- 



2. Line-Lock Vertical Phase Adjustment (V PHASE)

- Select "LL" and press the [SET] button.
- Prepare a dual-trace oscilloscope and supply it with the video output of the camera to be adjusted and that of the reference camera.
- Set the oscilloscope to the vertical rate and expand the V-sync portion.
- Select a proper "COARSE" phase from 16 steps (22.5 degrees/step) that makes the two video signals on the oscilloscope the closest.

- Select a proper "FINE" phase so that the two video signals on the oscilloscope come as close as possible.

**Notes:**

- Moving the "I" cursor across the +/- end will shift the "FINE" range.
- Press the [LEFT] and [RIGHT] buttons simultaneously to reset the "V PHASE" to the default (0 degree).
- Keep pressing the [LEFT] and [RIGHT] buttons for a second to move the "I" cursor faster if necessary.
- Spike noise if contained in the AC mains may disturb synchronization of LL.

## 7. White Balance Setting (WHITE BAL)

Select a mode for "WHITE BAL" on the "CAMERA SETUP" menu. The default setting is "ATW1".

**ATW1:** Is automatically adaptable to the color temperatures of 2 700 K - 6 000 K.

**ATW2:** Is automatically adaptable to the use of sodium lamps (2 000 K - 6 000 K).

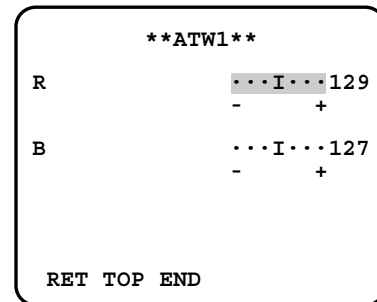
**AWC:** Is automatically adaptable to the color temperatures of 2 000 K - 10 000 K.

**Notes:**

- When "ATW1" or "ATW2" is selected, no further operation is required.
- "ATW1" and "ATW2" do not appear on the setup menu of the system controller.
- Select "AWC" in the following cases: the color temperature is out of the 2 000 K - 6 000 K range, the scene contains mostly high color temperatures such as blue sky or sunset, or the scene is dim.
- When "AWC" is selected, the "AWC" setting is required.

### AWC Setting

1. Select "AWC" and press the [LEFT] button.  
→ "AWC" will change to "AWC → PUSH SW".
2. Press the [SET] button.  
→ "PUSH SW" will be highlighted while the "AWC" setting is performed.



**Note:**

- If the white balance is not set, "PUSH SW" is being highlighted.

3. Press the [RIGHT] button.

### Manual Fine Adjustment

Perform fine adjustment as necessary.

1. Select "WHITE BAL" and press the [SET] button.  
→ Fine adjustment menu of ATW or AWC will open.
2. Adjust finely "R" (Red) and "B" (Blue) gain by moving the "I" cursor.

## 8. Motion Detection Setting (MOTION DET)

When a series of changes in pictures is detected, the camera outputs an alarm to the external device such as a disk recorder. The recorder will start recording the pictures.

1. Select a mode for "MOTION DET" on the "CAMERA SETUP" menu.

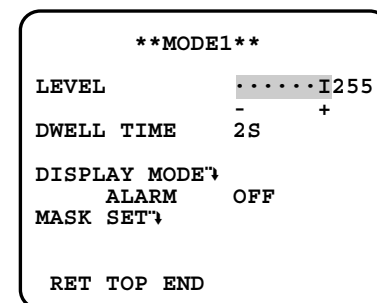
The default setting is "OFF".

**OFF:** Disables the alarm output.

**MODE1:** Outputs alarm when a series of motions is detected.

**MODE2:** Outputs alarm when a series of scene changes is detected.

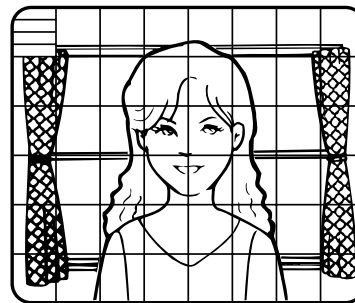
→ The "MODE1" menu opens when you select "MODE1" and press the [SET] button.



2. Adjust for "LEVEL" to optimize the sensitivity of detection.

3. Select a dwell time. The default setting is "2S".  
**Available time (second):** 2, 5, 10, 30  
The next detection will be performed after the set time elapses.

4. Select "MASK SET" and press the [SET] button.  
→ A 48-split screen opens.
- Specify non-detection (mask) and detection areas in the same way as described earlier in 2-2 ALC Mode. (☞ page 25)
  - Hold down the [SET] button for 2 seconds to return to the "MODE1" menu.



---

**Note:**

- Perform the setting of mask area after "STABILIZER" in the "CAMERA SETUP" menu is set to "OFF".
- 

5. Select "ON" or "OFF" for "ALARM" under "DISPLAY MODE".  
**ON:** Outputs an alarm  
**OFF:** Does not output an alarm. This is applicable any of the following controllers are used: WV-RM70, WV-CU550 series, WV-CU161, WV-CU360, WV-CU650, WV-CU850, WV-CU950
6. Select "DISPLAY MODE" and press the [SET] button to see the current settings.  
When a motion is detected, the area will blink.
- Press the [SET] button to return to the "MODE1" menu.
7. As necessary, repeat to perform "LEVEL" adjustment and "MASK SET" setting by checking on the "DISPLAY MODE" screen.

---

**Important:**

- In systems other than Panasonic, select "OFF" for "MOTION DET" to prevent system devices from confusing time-code signal with alarm signal.
  - Set "MASK SET" over the areas where leaves or curtains etc. are swaying.
  - Adjust the detection level to prevent detection from confusing motion with noise under low light conditions.
  - It takes around 0.2 seconds for the alarm signal to reach the VTR's alarm terminal after detection.
  - The motion/scene change detection is not specifically intended to prevent theft or fire.
- 

**Motion Detector**

The motion detector divides the screen into 48 blocks and monitors changes in the luminance in each block. When it detects any change (movement) in the image, it outputs an alarm signal. When a change (movement) in the image is detected while in the auto mode, the alarm signal is output and the camera stops at the preset position for a specified amount of time.

**Demo Mode**

The demo mode divides the screen into 48 blocks and monitors changes in the luminance in each block. It also masks any part of the picture where there is a change in average luminance that exceeds the currently specified detection sensitivity level. The demo mode results can be used to determine the optimum detection sensitivity level (step 2) and the areas of the screen that need to be masked (step 4).

**About MODE2 of Motion Detection**

The camera will detect a scene change in the following cases.  
When the lens is fully sprayed or covered with a cloth, lid, or the like  
When the camera direction is suddenly changed

---

**Important:**

- The camera will not detect a scene change in the following cases.
    - When a cloth with patterns covers the lens and it sways in the wind
    - When some portions in the screen are not veiled
    - When the screens are similar in scene patterns although the camera direction has changed
  - The camera will faultily detect a scene change in the following cases.
    - When an obvious brightness change arises (ex. On/Off of the lamps)
    - When objects move continuously such as traffic in busy streets
-

## 9. Digital Noise Reduction Setting (DNR)

Select a "DNR" mode suitable to the camera site conditions. The default setting is "HIGH".

**HIGH:** Greatly reduces noise, though it produces afterimages when objects move.

**LOW:** Slightly reduces noise, and produces less afterimages.

## 10. Resolution Setting (RESOLUTION)

Select a horizontal resolution mode. The default setting is "HIGH".

**NORMAL:** Resolves more than 480 TV lines.

**HIGH:** Resolves typically 540 TV lines, though noise may increase when "SENSE UP" is activated in low lighting conditions.

## 11. Black and White Mode Setting (BW MODE)

1. Select "BW MODE" on the "CAMERA SETUP" menu and press the [SET] button.

→ The "BW MODE" menu opens.

2. Select a mode for "BW". The default setting is "OFF".

→ When "AUTO1" or "AUTO2" is selected, "LEVEL" and "DURATION TIME" appear.

**AUTO1:** Sets the mode to black-and-white if the picture is dark or to color if the picture is bright enough.

**AUTO2:** Functions the same as "AUTO1", except this is applied to the use near infrared light. (wavelength  $\geq 800$  nm).

**ON:** Sets the mode to black-and-white.

**OFF:** Sets the mode to color.

---

### Notes:

- There may be cases where "AUTO1" or "AUTO2" does not function well if the camera is aimed at subjects continuously moving or a scene filled with a single color such as a blue sky.
  - It is possible to set up the back-focus mode to compensate for defocus liable to happen when the camera automatically switches between the color and black-and-white modes. Refer to page 31. Back-focus Setting for details.
- 

3. Select a threshold "LEVEL" to switch between the color and black-and-white mode. The default setting is "HIGH".

**HIGH:** Switches the mode at approx. 5 lx illumination.

**LOW:** Switches the mode at approx. 1 lx illumination.

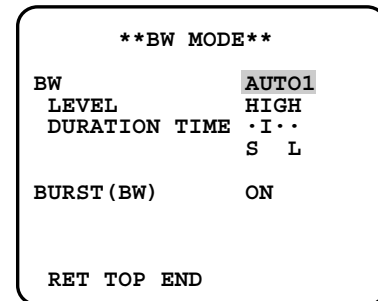
4. Select a duration time to determine whether to switch the mode. The default setting is 30 seconds.

**Available time:** (Short) 10 s ↔ 30 s ↔ 60 s ↔ 300 s (Long)

5. Select a burst signal mode. The default setting is "ON".

**ON:** Supplies the (color) burst signal with black-and-white composite video.

**OFF:** Supplies no burst signal.



---

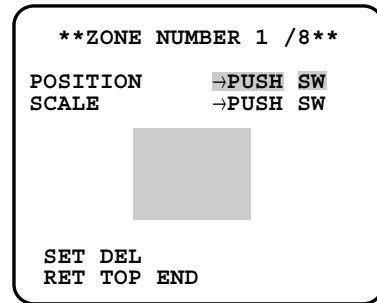
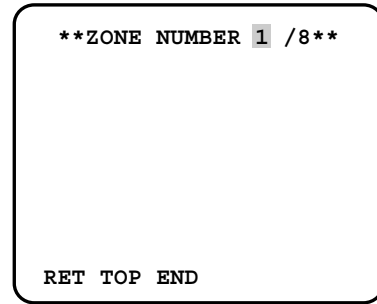
### Note:

- Using "ON" is usually recommended. Try both "ON" and "OFF" to match to connected devices (recorders, monitors, etc.) that have different characteristics.
-

## 12. Privacy Zone Setting (PRIVACY ZONE)

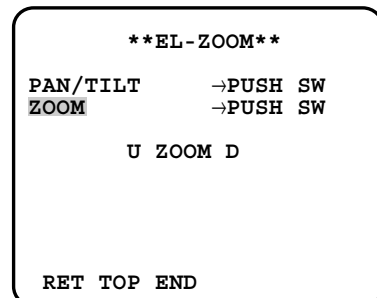
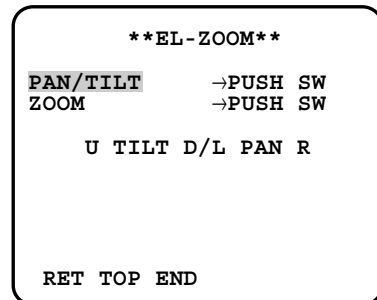
Perform settings of up to eight privacy zones where you wish to veil the monitor screen.

- Select "ON(1)", "ON(2)" or "OFF" for "PRIVACY ZONE" on page 2 of the "CAMERA SETUP" menu and press the [SET] button.  
The default setting is "OFF".  
**ON (1):** Veils the zone with grey.  
**ON (2):** Veils the zone with mosaic.  
**OFF:** Displays pictures normally.  
→ The "ZONE NUMBER" selection menu opens.
- Select a zone number on the top line using the [LEFT] and [RIGHT] buttons and press the [SET] button. The zone number followed by an asterisk \* indicates that it has been already registered.  
→ "POSITION", "SCALE", and a frame appear on the menu.
- Select "→PUSH SW" for "POSITION" and press the [SET] button.  
→ Position selection becomes available.
- Move the picture portion to be veiled to the center of the frame using the [LEFT], [RIGHT], [UP], or [DOWN] button.
- Select "→PUSH SW" for "SCALE" and press the [SET] button.  
→ Zone scale adjustment becomes available.
- Adjust the zone scale using the [LEFT], [RIGHT], [UP], or [DOWN] button.
- To apply the settings, move the cursor to "SET" and press the [SET] button.  
→ The screen returns to the "ZONE NUMBER" selection menu.  
To delete the settings, select "DEL" and press the [SET] button.



## 13. Electronic Zoom (EL-ZOOM)

- Move the cursor to "EL-ZOOM".
- Select "ON" or "OFF" by pressing [LEFT] and [RIGHT] buttons.  
The default setting is "OFF".  
**ON:** x2 electronic zoom is available with the ZOOM switch on the controller.  
**OFF:** The electronic zoom function is disabled.
- While the cursor is on "EL-ZOOM", press the [SET] button. The "EL-ZOOM" menu appears.
- Move the cursor to "→PUSH SW" for "ZOOM" and press the [SET] button to display the "ZOOM" setting menu.
- Press the [UP] or [DOWN] button to zoom in or out the image.
- Move the cursor to "→PUSH SW" for "PAN/TILT" and press the [SET] button. The "PAN/TILT" setting menu appears.
- Press [LEFT], [RIGHT], [UP], or [DOWN] button to change the angular field of view.
- To return to the "EL-ZOOM" menu, press the [SET] button.



## 14. Auto Image Stabilizer (STABILIZER)

This function electronically compensates for an unstable camera image due to movement of a mounting pole or bracket. The default setting is "OFF".

**ON:** Automatically compensates for an unstable image.

**OFF:** Image stabilizer will not operate.

---

### Important:

- When set to "ON", some effective pixels on the edge of the CCD are used by the stabilization function. This may result in a small reduction in resolution and a narrower angle of view. After activating the image stabilizer function, check that the field of view is correct.
  - Image stabilization may not function where there is excessive camera movement or when the scene is low light or low contrast objects.
- 

## 15. LED Setting (LED)

"ON" or "OFF" is selected to decide whether or not to use the LED located on the side of this unit. The default setting is "ON".

**ON:** Blinks the LED when the motion detector function (☞ page 27) detects a change in an image. Lights in the cases other than the above.

**OFF:** Keeps the LED unlit.

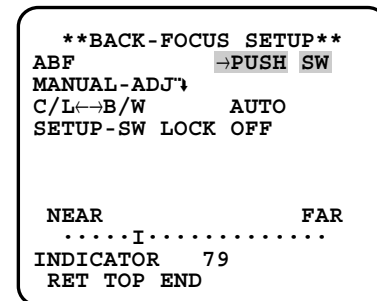
## 16. Back-focus Setting (BACK-FOCUS SETUP)

Perform adjustment of the back-focus (flange-back: the gap between the lens and focal plane) remotely on this menu using a system controller. After installation, you can perform this adjustment when defocus arises that may be caused by long-term use, environmental changes, etc.

---

### Important:

- Do not use the ABF function for continuous or repetitive purposes (ex. autofocus etc.). This function is to be used to correct defocus caused by switching between color and black - and - white when/after installing the camera.
- 



1. Select "BACK-FOCUS " on the top menu and press the [SET] button.  
→ The "BACK-FOCUS SETUP" menu opens.
2. Select "ABF" and press the [SET] button.  
→ Adjustment is automatically performed.

---

### Notes:

- Performing ABF will function to obtain the best focus around the center areas in a scene.
  - Performing ABF is available only when "OFF", "X2 AUTO", or "X2 FIX" is selected for "SENS UP".
  - Using the ABF function under low light conditions may cause noise.
- 

3. Select "MANUAL-ADJ" and press the [SET] button if manual adjustment is required.  
The manual back-focus adjustment screen will open.
  - Use the [LEFT] or [RIGHT] buttons to move the "I" cursor and obtain a proper focus.  
→ Refer to the 4-digit number on the second bottom line. The larger the number is, the better the focus will be.
  - Select "RET" and press the [SET] button to go back to the menu setup.
4. Select a mode for "C/L ↔ B/W". The default setting is "AUTO".
  - AUTO:** Adjusts the back-focus automatically every time the camera switches the mode between color and black-and-white. "AUTO" is usable only when "OFF", "X2 AUTO", or "X2 FIX" is selected for "SENS UP".
  - PRESET:** Adjusts the back-focus to the positions for color mode and black-and-white mode that are preset by performing step 2 (automatic) or step 3 (manual) under the respective light conditions.

**FIX:** Fixes the back-focus after adjustment.

5. Select "ON" or "OFF" for "SETUP-SW LOCK". The default setting is "OFF".  
**OFF:** Enables the [SET] button to open the back-focus adjustment screen while the camera picture is displayed.  
**ON:** Disables the [SET] button from opening the back-focus adjustment screen.
6. To reset the back-focus to the default setting, press the [LEFT] and [RIGHT] buttons simultaneously.

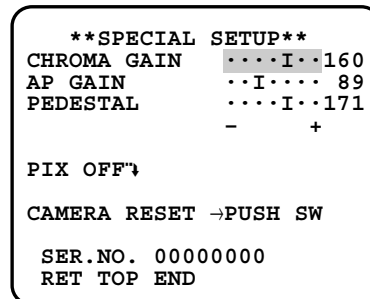
---

**Important:**

- Select "FIX" or "PRESET" and adjust manually the back-focus when automatic adjustment is hindered by the following conditions.
    1. Dirt or a water drip attached to window glass  
This causes defocus on the object beyond the glass.
    2. Objects in low lighting conditions
    3. Objects extremely bright
    4. Flat contrast objects such as white wall or fine felt
    5. Objects placed on the outskirts of the scene
    6. More than one object placed with a certain depth
    7. An object having a certain depth
    8. Objects continuously moving such as busy streets
    9. Objects extremely flickering
    10. Objects consisting of parallel horizontal lines such as a window shade
  - Panasonic Corporation shall not be responsible for any inconvenience, damage or loss caused by or attribute to inappropriate settings for the ABF function.
- 

## 17. Special Menu (SPECIAL SETUP)

Select "SPECIAL" on the top menu and press the [SET] button.  
→ The "SPECIAL SETUP" menu opens.



### 17-1. Chroma Level Setting (CHROMA GAIN)

Move the "I" cursor to adjust the chroma level.

### 17-2. Aperture Gain Setting (AP GAIN)

Move the "I" cursor to adjust the aperture gain level.  
Lower the level when moire (a kind of noise, optical interference) appears on the screen as part of minute crosshatch pattern, etc.

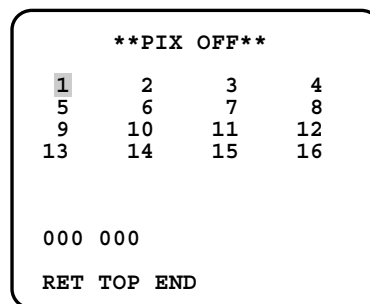
### 17-3. Pedestal Level Setting (PEDESTAL)

Move the "I" cursor to adjust the pedestal level (black level).

### 17-4. Pixel Compensation Setting (PIX OFF)

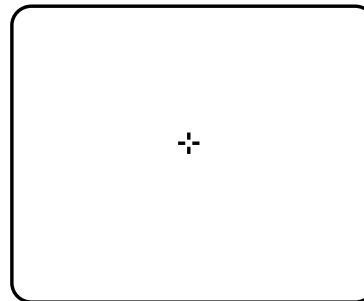
Perform settings to compensate a maximum of 16 blemish pixels on the pickup device.

1. Select "PIX OFF" and press the [SET] button.  
→ The "PIX OFF" menu opens with numbers from 1 to 16.
2. Select a number and press the [SET] button.  
→ The "PIX OFF" assignment screen opens with a + cursor.





3. Move the cursor to the center of a blemish position until its appearance becomes less obvious. Finally, press the [SET] button.
  - The horizontal and vertical positions (coordinate) of the blemish will be displayed with a 6-digit number on the second bottom line.
  - The blemish position is registered to be compensated.
  - The screen returns to the "PIX OFF" menu that displays the number followed by an asterisk if it has been registered.



4. Repeat above steps as necessary.
5. To cancel a registration, select an asterisked number in the "PIX OFF" menu and press the [SET] button.
  - The "PIX OFF" assignment screen opens.
    - Hold down the the [LEFT] and [RIGHT] buttons simultaneously for 2 seconds or more.
  - The "PIX OFF" menu appears displaying the number without an asterisk if its registration has been cancelled.

### **17-5. To reset to the default settings (CAMERA RESET)**

1. Select "CAMERA RESET".
  - The "→PUSH SW" is highlighted.
2. While holding down the [LEFT] and [RIGHT] buttons, press the [SET] button for 2 seconds or more.
  - The camera will return to the default settings.

---

**Note:**

- "PIX OFF" setting cannot be initialized.
- 

### **17-6. The serial number of the camera will be displayed. (SER. NO.)**

# Troubleshooting

Before asking for repairs, check the symptoms with the following table.

Contact your dealer if a problem cannot be solved even after checking and trying the solution in the table or a problem is not described below.

Symptom	Cause/solution	Reference pages
No image displayed	<ul style="list-style-type: none"> <li>Are the power cord and coaxial cable connected appropriately? → Check whether the connection is appropriately established.</li> </ul>	14
	<ul style="list-style-type: none"> <li>Is the monitor luminance appropriately adjusted, or is the contrast appropriately adjusted? → Check whether the monitor settings are appropriate.</li> </ul>	-
Blurred image	<ul style="list-style-type: none"> <li>Is the lens of the camera soiled with dirt or dust? → Check whether the lens of the camera is clean.</li> </ul>	-
	<ul style="list-style-type: none"> <li>Is the focus adjusted correctly? → Check if the focus is adjusted correctly.</li> </ul>	16
Damaged power cord sheathing	<ul style="list-style-type: none"> <li>The power cord is damaged. Use of the damaged cord may cause electric shock or fire. Turn off the power immediately and request repair to your dealer.</li> </ul>	-
Heated portion of power cord during use.		
Warmed power cord or loosened connection by bending or stretching during use.		
LED not lit	<ul style="list-style-type: none"> <li>Is power supplied to the camera? → Check whether power is supplied to the camera.</li> </ul>	-
	<ul style="list-style-type: none"> <li>Is "ON" selected for the LED setting? → Check whether "ON" is selected for the LED setting.</li> </ul>	31

# Specifications

## ● Color CCTV Cameras

Power source and power consumption:	WV-CW384: 24 V AC 50 Hz, 18 W, 12 V DC, 560 mA WV-CW380: 220 V to 240 V AC, 50 Hz, 14 W
Image sensor:	1/3-inch type interline transfer CCD
Effective pixels:	752 (H) x 582 (V)
Scanning area:	4.8 mm (H) x 3.6 mm (V)
Scanning system:	2:1 interlace
Scanning frequency:	Horizontal: 15.625 kHz, Vertical: 50.00 Hz
Synchronization:	Multiplexed vertical drive (VD2), line-lock (LL), internal (INT)
Resolution:	Horizontal: 570 TV lines (BW mode) 540 TV lines typ., 520 TV lines min. (color mode, resolution: HIGH) Vertical: 400 TV lines (at center)
Minimum illumination:	Color mode: 0.65 lx (sensitivity up OFF, AGC HIGH: F1.6, WIDE) 0.065 lx (sensitivity up 10x, AGC HIGH: F1.6, WIDE)* BW mode: 0.09 lx (sensitivity up OFF, AGC HIGH: F1.6, WIDE) 0.009 lx (sensitivity up 10x, AGC HIGH: F1.6, WIDE)* * Converted value
Signal-to-noise ratio:	50 dB (AGC Off)
Dynamic range:	54 dB typ
Video output:	1.0 V[P-P] PAL composite/75 Ω, BNC connector
Monitor output:	1.0 V[P-P] PAL composite/75 Ω, ø3.5 mm mini jack (monaural)
Functions	
Camera title:	Up to 16 characters (alphanumeric characters, marks)
Light control:	ALC
Super-Dynamic 3:	ON/OFF
Electronic shutter speed:	OFF (1/50), 1/120, 1/250, 1/500, 1/1 000, 1/2 000, 1/4 000, 1/10 000
Gain control:	ON (HIGH)/ON (MID)/ON (LOW)/OFF
Sensitivity up:	OFF, X2 AUTO, X4 AUTO, X6 AUTO, X10 AUTO, X2 FIX, X4 FIX, X6 FIX, X10 FIX, X16 FIX, X32 FIX
Synchronization:	VD2/LL/INT
White balance:	ATW1/ATW2/AWC
Video motion detection:	MODE1/MODE2/OFF
Digital noise reduction:	HIGH/LOW
Resolution:	NORMAL/HIGH
Color/BW:	AUTO1/AUTO2/ON/OFF
Privacy zone:	ON(1)/ON(2)/OFF
Electronic zoom:	ON*/OFF (* Up to 2x)
Image stabilizer:	ON/OFF
LED:	ON/OFF
Back-focus:	ABF (AUTO/PRESET/FIX), MANUAL-ADJ
Special:	CHROMA GAIN, AP GAIN, PEDESTAL, PIX OFF
Language:	ENGLISH, FRANÇAIS, ESPAÑOL, DEUTSCH, ITALIANO, РУССКИЙ, CHINESE or JAPANESE
Ambient operating temperature:	-30 °C to +50 °C* * -10 °C to +50 °C at 12 V DC
Ambient operating humidity:	90% or less (no condensation)
Water resistance:	Camera: IEC60529 (IP66, Against ingress of water with harmful effects powerful jetting)* * Applicable only when the installation and waterproof process are done properly.
Dimensions:	82 (W) mm x 78 (H) mm x 301 (D) mm
Weight:	1.5 kg
Finish:	Lens cover: Aluminum die cast with silver metallic coating Main body: AES resin with silver metallic coating

### ● Lens

Focal length:	f=5 mm - 40 mm (8x variable focal lens)
F number:	F1.6 (WIDE) - F1.9 (TELE)
Focus range:	$\infty$ - 1.2 m
Angle of view:	Horizontal: 6.6° (TELE) - 52.0° (WIDE) Vertical: 5.0° (TELE) - 39.6° (WIDE)

### ● Camera mount bracket

Adjusting angle:	Panning range: $\pm 100^\circ$ Tilting range: $+30^\circ, -90^\circ$
Dimensions:	125 (W) mm x 125 (H) mm x 143 (D) mm
Weight:	240 g
Finish:	Aluminum die cast with silver metallic coating

### ● Adapter box

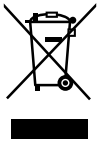
Dimensions:	133 (W) mm x 133 (H) mm x 50 (D) mm
Weight:	510 g
Finish:	Aluminium die cast with silver metallic coating

Weights and dimensions indicated are approximate.

## Standard Accessories

Operating Instructions (this document).....	1 pc.
The following are for installation.	
Camera mount bracket.....	1 pc.
Mount bracket cover.....	2 pcs.
Sunshield.....	1 pc.
Tripod socket.....	1 pc.
Adapter box.....	1 pc.
Camera fixing screws (M4 x 8).....	4 pcs.
(incl. 1 spare screw)	
Mount bracket cover screws (M3 x 6).....	3 pcs.
(incl. 1 spare screw)	
Adapter box mounting screw (M4 x 35).....	1 pc.
Mounting screws for adapter box/camera mount bracket (M5 x 20).....	5 pcs.
(incl. 1 spare screw)	
Sunshield mounting screws (M3 x 6).....	5 pcs.
(incl. 1 spare screw)	
Mounting screws for tripod socket (M3 x 8).....	4 pcs.
Desiccant.....	1 pc.
Waterproof tape.....	1 pc.

### **Information on Disposal for Users of Waste Electrical & Electronic Equipment (private households)**



This symbol on the products and/or accompanying documents means that used electrical and electronic products should not be mixed with general household waste.

For proper treatment, recovery and recycling, please take these products to designated collection points, where they will be accepted on a free of charge basis. Alternatively, in some countries you may be able to return your products to your local retailer upon the purchase of an equivalent new product.

Disposing of this product correctly will help to save valuable resources and prevent any potential negative effects on human health and the environment which could otherwise arise from inappropriate waste handling. Please contact your local authority

for further details of your nearest designated collection point.

Penalties may be applicable for incorrect disposal of this waste, in accordance with national legislation.

### **For business users in the European Union**

If you wish to discard electrical and electronic equipment, please contact your dealer or supplier for further information.

### **Information on Disposal in other Countries outside the European Union**

This symbol is only valid in the European Union.

If you wish to discard this product, please contact your local authorities or dealer and ask for the correct method of disposal.

# DEUTSCHE AUSGABE

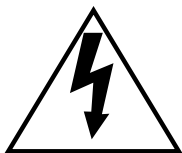
(GERMAN VERSION)

## WARNUNG:

- Dieses Gerät muss geerdet werden.
- Alle mit der Installation dieses Produktes verbundenen Arbeiten sollten von qualifiziertem Kundendienstpersonal oder Systeminstallateuren vorgenommen werden.
- Anschlüsse müssen den örtlichen elektrotechnischen Vorschriften entsprechen.

## VORSICHT:

Bevor Sie dieses Produkt anschließen oder in Betrieb nehmen, bitte das Schild auf der Unterseite durchlesen.



Das Blitzzeichen mit Pfeil im gleichseitigen Dreieck soll den Benutzer auf das Vorhandensein von nichtisolierter "gefährlicher Spannung" innerhalb des Gehäuses hinweisen, die so groß sein kann, daß sie Gefahr eines elektrischen Schlags darstellt.



Das Ausrufezeichen im gleichseitigen Dreieck soll den Benutzer auf wichtige Bedienungs- und Wartungsanweisungen in den Unterlagen hinweisen, die dem Gerät beiliegen.

Schalten Sie den Netzschalter aus, um die Hauptstromversorgung aller Geräte abzutrennen.

## VORSICHT:

Ein Netzschalter für alle Pole mit einem Kontaktabstand von mindestens 3 mm für jeden Pol sollte in der elektrischen Installation des Gebäudes enthalten sein.

Wir erklären in alleiniger Verantwortung, daß das Produkt, auf das sich diese Erklärung bezieht, mit der folgenden Normen oder normativen Dokumenten übereinstimmt. Gemäß den Bestimmungen der Richtlinie 2006/95/EC und 2004/108/EC.

## ZUR EIGENEN SICHERHEIT BITTE AUFMERKSAM DURCHLESEN.

**WARNUNG: Dieses Gerät muß geerdet werden.**

### WICHTIG

Die Adern dieses Netzkabels sind nach folgendem Code farblich gekennzeichnet.

Grün-gelb:	Erde
Blau:	Nulleiter
Braun:	Spannungsführend

Da die Farbmarkierung der Adern des Netzkabels dieses Geräts u.U. nicht mit der Farbmarkierung der Steckerklappen übereinstimmt, gehen Sie folgendermaßen vor.

Schließen Sie die **grün-gelbe** Ader an die mit dem Buchstaben **E** oder dem Erdesymbol  $\perp$  oder an die **grün** oder **grün-gelb** gekennzeichnete Steckerklappe an.

Schließen Sie die **blaue** Ader an die mit dem Buchstaben **N** oder an die **schwarz** gekennzeichnete Steckerklappe an.

Schließen Sie die **braune** Ader an die mit dem Buchstaben **L** oder an die **rot** gekennzeichnete Steckerklappe an.

# INHALT

Wichtige Sicherheitsinstruktionen .....	40
Beschränkung der Haftung .....	41
Haftungsausschluss .....	41
Vorwort .....	42
Merkmale .....	42
Vorsichtsmaßnahmen .....	43
Wichtige Bedienungselemente und ihre Funktionen .....	44
Vorsichtshinweise zur Installation .....	45
Installation/Anschlüsse .....	46
■ Vorbereitungen .....	46
■ Installation der Kamera .....	46
Setupmenüs .....	57
■ Allgemeine Bedienung .....	58
Einstellverfahren .....	59
Einstellen der Sprache (LANGUAGE SETUP) .....	59
1. Einstellen der Kamera-Kennung (KAMERA ID) .....	59
2. Einstellung der Lichtregelung (ALC) .....	60
3. Einstellen der Verschlusszeit (SHUTTER) .....	61
4. Einstellen der Verstärkungsregelung (AGC) .....	62
5. Elektronische Empfindlichkeitsanhebung (SENS UP) .....	62
6. Einstellen der Synchronisation (SYNC) .....	62
7. Einstellen des Weißabgleichs (WEISSBAL.) .....	63
8. Einstellung des Bewegungsmelders (MOTION DET.) .....	63
9. Einstellen der digitalen Rauschunterdrückung (DNR) .....	65
10. Einstellen der Auflösung (AUFLÖSUNG) .....	65
11. Einstellen des Schwarzweißmodus (S/W MODUS) .....	65
12. Einstellen von Privatzenen (PRIVATZONE) .....	66
13. Elektronisches Zoomen (EL ZOOM) .....	66
14. Automatischer Bildstabilisator (STABILIZER) .....	67
15. Einstellung der LED (LED) .....	67
16. Rückflanscheinstellung (BACK-FOCUS SETUP) .....	67
17. Spezialmenü (SPEZIAL SETUP) .....	68
Fehlersuche .....	70
Technische Daten .....	71
Standardzubehör .....	72

# Wichtige Sicherheitsinstruktionen

- 1) Bitte lesen Sie diese Instruktionen aufmerksam durch.
- 2) Bewahren Sie die Instruktionen sorgfältig auf.
- 3) Befolgen Sie alle Warnungen.
- 4) Befolgen Sie alle Instruktionen.
- 5) Reinigen Sie dieses Gerät nur mit einem trockenen Tuch.
- 6) Blockieren Sie nicht die Belüftungsöffnungen. Installieren Sie das Gerät gemäß den Instruktionen des Herstellers.
- 7) Installieren Sie dieses Gerät niemals in der Nähe von Wärmequellen wie Heizkörpern, Öfen oder anderen wärmeerzeugenden Apparaten (einschließlich Verstärkern).
- 8) Umgehen Sie niemals die Schutzfunktion des gepolten oder geerdeten Netzsteckers. Ein gepolter Netzstecker weist zwei Kontaktstifte auf, wobei ein Kontaktstift breiter als der andere ist. Ein geerdeter Netzstecker ist mit zwei Kontaktstiften und einem dritten Erdungskontakt versehen. Der breite Stift bzw. der dritte Kontakt dient der Sicherheit. Falls der mitgelieferte Netzstecker nicht in Ihre Netzdose passt, wenden Sie sich an einen Elektriker, damit dieser die veraltete Netzdose austauschen kann.
- 9) Achten Sie darauf, dass nicht auf das Netzkabel getreten oder dieses besonders an den Steckern, an der Netzdose bzw. am Ausgang aus dem Gerät nicht eingeklemmt wird.
- 10) Verwenden Sie nur vom Hersteller vorgeschriebene/s Vorrichtungen/Zubehör.
- 11) Verwenden Sie dieses Gerät nur mit dem vom Hersteller vorgeschriebenen oder mit dem Gerät mitgelieferten Wagen, Ständer, Stativ oder Tisch. Bei Verwendung eines Wagens ist Vorsicht beim Transport des Geräts auf dem Wagen geboten, um ein Umkippen und die damit verbundenen möglichen Verletzungen zu vermeiden.



- 12) Ziehen Sie den Netzstecker dieses Geräts bei Gewittern oder längerem Nichtgebrauch aus der Netzdose.



## Beschränkung der Haftung

DIE LIEFERUNG DIESER PUBLIKATION ERFOLGT OHNE MÄNGELGEWÄHR, WEDER AUSDRÜCKLICH NOCH STILLSCHWEIGEND, EINSCHLIESSLICH, ABER NICHT BESCHRÄNKT AUF DIE GESETZLICHE GEWÄHRLEISTUNG DER GEBRAUCHSTAUGLICHKEIT, EIGNUNG ZU BESTIMMTEN ZWECKEN ODER NICHTVERLETZUNG DER RECHTE DRITTER.

DIE PUBLIKATION KÖNNTE TECHNISCHE UNGENAUIGKEITEN ODER DRUCKFEHLER ENTHALTEN. IM LAUFE DER VERBESSERUNG DIESER PUBLIKATION UND/ODER DER ENTSPRECHENDEN PRODUKTE KANN DER INHALT JEDERZEIT KORRIGIERT BZW. ERGÄNZT WERDEN.

## Haftungsausschluss

Panasonic Corporation IST UNTER ANDEREM IN KEINEM DER UNTEN AUFGEFÜHRTEN FÄLLE GEGENÜBER JURISTISCHEN PERSONEN ODER PERSONEN HAFTBAR, ES SEI DENN ES HANDELT SICH UM EIN BESTIMMTES VOM ÖRTLICHEN PANASONIC-HÄNDLER ANGEBOTENES GARANTIEPROGRAMM:

- (1) SCHADENSANSPRÜCHE JEDLICHER ART, EINSCHLIESSLICH UND OHNE EINSCHRÄNKUNGEN UNMITTELBARER, MITTELBARER, ZUSÄTZLICHER, FOLGE- ODER ÜBER DEN VERURSACHTEN SCHADEN HINAUSGEHENDER SCHADENSANSPRÜCHE;
- (2) KÖRPERVERLETZUNGEN ODER SONSTIGE SCHÄDEN, DIE AUF DEN UNSACHGEMÄSSEN GEBRAUCH ODER DEN FAHRLÄSSIGEN BETRIEB DURCH DEN BENUTZER ZURÜCKZUFÜHREN SIND;
- (3) NICHT ZULÄSSIGES ZERLEGEN, REPARIEREN ODER VERÄNDERN DES PRODUKTS DURCH DEN BENUTZER;
- (4) UNANNEHMlichkeiten ODER VERLUST, WENN BILDER AUS IRGENDWELCHEN GRÜNDEN ODER URSACHEN NICHT ANGEZEIGT WERDEN, EINSCHLIESSLICH EINES AUSFALLS ODER PROBLEMS DES GERÄTS;
- (5) JEDLICHE STÖRUNGEN, MITTELBARE UNANNEHM-

LICHKEITEN, ODER VERLUSTE ODER SCHÄDEN, DIE SICH AUS DEM ZUSAMMENSCHALTEN DES SYSTEMS MIT GERÄTEN VON FREMDHERSTELLERN ERGEBEN;

- (6) JEDLICHE ANSPRÜCHE ODER KLAGEN AUF SCHADENERSATZ DURCH IRGENDWELCHE PERSONEN ODER ORGANISATIONEN, DIE EIN PHOTOGENES SUBJEKT SIND, HINSICHTLICH EINER VERLETZUNG DES PERSÖNLICHKEITSRECHTES MIT DEM ERGEBNIS, DASS BILDER DER ÜBERWACHUNGSKAMERA EINSCHLIESSLICH ABGESPEICHERTE DATEN AUS IRGEND EINEM GRUND VERÖFFENTLICHT BZW. ZU ANDEREN ZWECKEN ALS ZUR ÜBERWACHUNG VERWENDET WERDEN.

# Vorwort

Mit den Kameras WV-CW384 und WV-CW380 bietet Panasonic ein hohes Niveau an Bildqualität dank der Verwendung eines 1/3-Zoll-Typ Superdynamik-CCD-Bildaufnahmeelements und LSIs für die digitale Signalverarbeitung. Die Kameras sind für die Wand- bzw. Deckenmontage an einer Kamera-Einbauplatte.

## Merkmale

### **Einführung von SUPER-D3 (Superdynamik)**

Durch Integration von SUPER-D3 mit dem CCD-Bildaufnehmer und der digitalen Signalverarbeitungsschaltung gelang es, den Dynamikbereich im Vergleich mit herkömmlichen Kameras um rund das 160fach zu erweitern. Auch Szenen, in denen stark unterschiedliche Ausleuchtung von sehr hell bis dunkel vorkommt, können damit natürlich dargestellt werden.

### **Mit Rückflansch-Automatik (ABF)**

Die Einstellung des Aufmaßes kann entweder über die Bedienungstasten des Geräts oder über das Setup-Menü erfolgen. Es kann auch noch nach der Installation des Geräts über das Bediengerät (Option) fern eingestellt werden. Die Rückflansch-Automatik kann auch zur Korrektur der oft bei der Umschaltung zwischen Farb- und Schwarzweißbild auftretenden Fokussabweichung verwendet werden.

### **Hohe Empfindlichkeit erreicht durch Rauschunterdrückung**

Durch die Einführung geräuscharmer Schalttechnik gelang es, die Empfindlichkeit so weit zu steigern, dass Aufnahmen bei einer Mindestbeleuchtung von nur 0,65 Lux im Farbmodus bzw. 0,09 Lux im Schwarzweißmodus möglich sind.

### **Nachts automatische Umschaltung auf Schwarzweiß-Bildgabe**

Die Umschaltung von Farb- auf Schwarzweiß-Bildgabe bei schwacher Beleuchtung erfolgt automatisch, d.h. Nachtaufnahmen erfordern keine speziellen Bedienungshandlungen.

### **Mit Bewegungsmelder**

Alarm erfolgt, wenn während der Überwachung auf dem Monitorbildschirm Bewegung erfasst, die Kamera mit einem Tuch, einer Kappe o.Ä. abgedeckt oder die Kamerarichtung verändert wird.

# Vorsichtsmaßregeln

## Das Gerät besitzt keinen Netzschalter.

Die Versorgung erfolgt über eine externe 12 V Gleichstrom-/24 V Wechselstromversorgung (WV-CW384) oder eine 220 bis 240 V Wechselstromversorgung (WV-CW380). Zum Ein-/Ausschalten des Stroms wenden Sie sich bitte an einen Kundendiensttechniker.

## Folgende Vorsichtsmaßnahmen treffen, um zuverlässigen Betrieb aufrechtzuerhalten.

- Der Betrieb des Geräts an Orten, wo es hohen Temperaturen und hoher Feuchtigkeit ausgesetzt ist, kann zur vorzeitigen Alterung von Teilen führen und seine Lebensdauer verkürzen.  
Das Gerät nicht direkter Hitzeeinwirkung, wie z.B. von einer Heizung, aussetzen.
  - Das Gerät bei Temperaturen zwischen  $-30\text{ °C}$  und  $+50\text{ °C}^*$  und einer Luftfeuchtigkeit von weniger als 90 % betreiben.
- \* Bei 12 V Gleichstrom  $-10\text{ °C}$  bis  $+50\text{ °C}$

## Verhindern, dass metallische Gegenstände durch die Gehäuseschlitze ins Innere gelangen.

Dies könnte das Gerät permanent beschädigen. Sofort die Stromversorgung ausschalten und das Gerät von einem qualifizierten Kundendiensttechniker warten lassen.

## Die Kanten von Metallteilen möglichst nicht mit der Hand berühren.

Dies könnte zu Verletzungen führen.

## Das Gerät unter keinen Umständen zerlegen.

Um elektrische Schläge zu vermeiden, niemals Schrauben oder Abdeckungen entfernen.  
Im Inneren befinden sich keine Teile, die vom Benutzer gewartet werden können.  
Wartungsarbeiten nur von qualifiziertem Kundendienstpersonal vornehmen lassen.

## Das Gerät vorsichtig behandeln.

Das Gerät nicht misshandeln. Schläge und Erschütterungen vermeiden.  
Falsche Handhabung oder Lagerung kann zu Beschädigungen am Gerät führen.

## Reinigen des Gehäuses

Beim Reinigen des Geräts den Strom ausschalten. Einen trockenen Lappen verwenden, um Schmutz vom Gerät zu entfernen. Das Gehäuse nicht mit starken oder scheuernden Mitteln reinigen. Bei hartnäckig anhaftendem Schmutz mit einem milden Waschmittel vorsichtig abwischen. Danach das restliche Waschmittel mit einem trockenen Tuch abwischen.  
Andernfalls kann es zu Verfärbungen kommen. Bei Verwendung eines chemisch imprägnierten Tuches die diesem beiliegenden Vorsichtshinweise lesen.

## Das Objektiv vorsichtig reinigen.

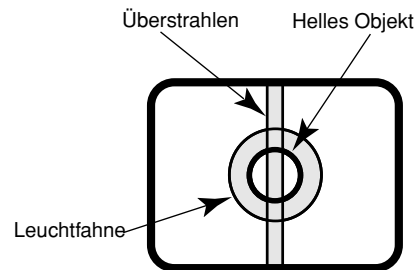
Keine starken oder scheuernden Reinigungsmittel verwenden. Zur Reinigung Seidenpapier oder ein mit Ethanol angefeuchtetes Wattestäbchen verwenden.

## Verfärbung des CCD-Farbfilters

Bei Langzeitaufnahme einer starken Lichtquelle, z.B. eine Punktleuchte, kann der Farbfilter im CCD beeinträchtigt werden, was zu einer Verfärbung des Bildes führen kann. Diese Verfärbung kann auch dann anhalten, wenn die Aufnahmerichtung geändert wird, um die Punktleuchte zu vermeiden.

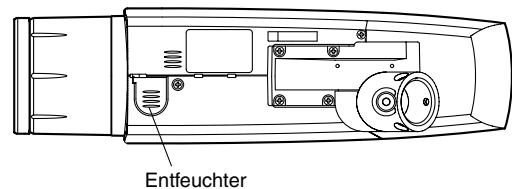
## Das Gerät nicht auf helle Lichtquellen richten.

Eine starke Lichtquelle, wie z.B. eine Punktleuchte, kann zu Leuchtfahnen (Regenbogen) oder zu Überstrahlen (senkrechte Streifen) führen.



## Info zum Entfeuchter

- Das Gerät ist mit einem Entfeuchter ausgestattet, der das Innere entfeuchtet und so Kondensation und sich schnell ausbreitende Betauung verhindert.
- Tau kann unter bestimmten Temperatur-, Feuchtigkeits-, Wind- und Regenverhältnissen entstehen, und die Entfeuchtung dauert eine gewisse Zeit.
- Die Außenflächen des Entfeuchters unter keinen Umständen abdichten.



## Im Störzustand die Stromversorgung des Geräts am Leistungsschalter ausschalten.

## Das Gerät nicht außerhalb des vorgeschriebenen Temperatur-, Luftfeuchtigkeits- und Leistungsbereichs betreiben.

Das Gerät bei Temperaturen zwischen  $-30\text{ °C}$  und  $+50\text{ °C}^*$  und einer Luftfeuchtigkeit von weniger als 90 % betreiben. Die Versorgungsspannung beträgt 12 V Gleichstrom/24 V Wechselstrom (WV-CW384) oder 220 bis 240 V Wechselstromversorgung (WV-CW380).

\* Bei 12 V Gleichstrom  $-10\text{ °C}$  bis  $+50\text{ °C}$

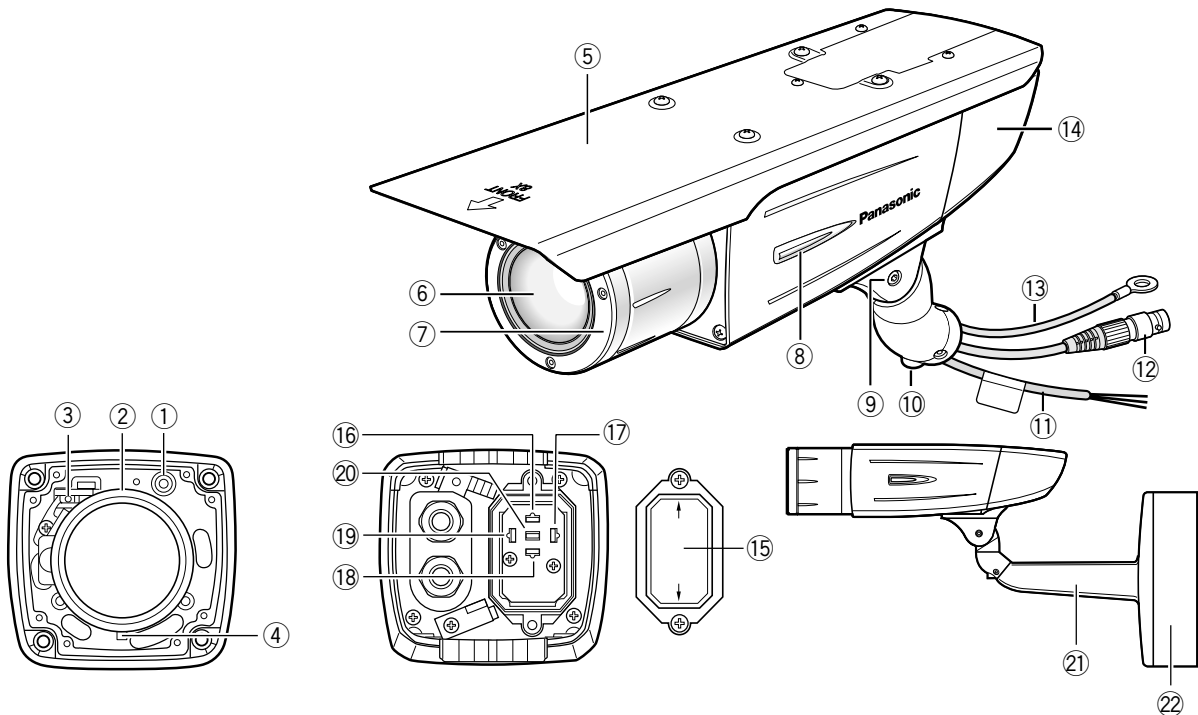
## Einsatz bei kalter Witterung

- Wenn die Kamera bei Temperaturen unter  $-10\text{ °C}$  betrieben wird, muss eine Anlaufzeit von mindestens 30 Minuten ab Einschaltung vorgesehen werden.
- Bei Veränderungen der Kamerarumgebung wird die eingebaute Heizung automatisch zu- bzw. abgeschaltet, wobei sich Störungen in der Bildwiedergabe ergeben können.

## Vorgehensweise bei Anzeige von OVER HEAT

Diese Meldung erscheint, wenn sich das Innere des Geräts stark erhitzt hat. Sofort die Stromversorgung des Geräts unterbrechen und mit einem Fachhändler beraten.

# Wichtige Bedienungselemente und ihre Funktionen



- ① **Monitor-Ausgangsbuchse (Minibuchse ø3,5 mm (mono))**  
Für den Anschluss an einen Monitor zum Einstellen des Betrachtungswinkels und Fokus.
- ② **Zoom-Einstellring**  
Stellt das Zoomverhältnis ein. (☞ Seite 52)
- ③ **Rückflansch-Automatik-Taste**  
Aktiviert die automatische Einstellung des Auflagemaßes.
- ④ **Fokus-Feststellschraube**  
Verriegelt den Brennpunkt. (☞ Seite 52)
- ⑤ **Sonnenblende (Zubehör)**
- ⑥ **Frontglas**
- ⑦ **Objektivabdeckung**  
Schützt das Objektiv. Zum Einstellen des Objektivs muss die Abdeckung abgeschraubt werden. Nach der Einstellung des Objektivs die Abdeckung wieder mit den Schrauben sichern. (☞ Seite 51)
- ⑧ **LED-Anzeige**  
Weist durch Leuchten, Blinken oder Erlöschen auf Betriebszustände hin. (☞ Seite 67)
- ⑨ **Neigungsfeststellschraube**  
Verriegelt den eingestellten Neigungswinkel. (☞ Seite 51)
- ⑩ **Schwenk-Feststellschraube**  
Verriegelt den eingestellten Schwenkwinkel. (☞ Seite 51)

## ⑪ Netzkabel

### Vorsicht:

- Das Netzkabel versorgt das Gerät mit 12 V Gleichstrom/24 V Wechselstrom (WV-CW384) bzw. 220 bis 240 V Wechselstrom (WV-CW380) von einem externen Netzteil.

## ⑫ Video-Ausgangskabel

## ⑬ Fangdraht

## ⑭ Rückwärtige Abdeckung

## ⑮ Schalterabdeckung

- Diese Abdeckung wird entfernt, um Zugang zu den Bedienungstasten zu erhalten. Nach der der Betätigung der Tasten die Abdeckung wieder mit den Schrauben sichern. (☞ Seite 53)

## ⑯ - ⑳ Bedienungstasten

### ⑯ Aufwärtstaste (UP)

### ⑰ Rechtstaste (RIGHT)

### ⑱ Abwärtstaste (DOWN)

### ⑲ Linkstaste (LEFT)

### ⑳ Einstelltaste (SET)

## ⑳ Kamera-Einbauplatte (Zubehör)

## ㉑ Adapterdose (Zubehör)

# Vorsichtshinweise zur Installation

## Einbaustelle

Bei Zweifeln über eine geeignete Einbaustelle unter den gegebenen Umständen beraten Sie sich bitte mit Ihrem Fachhändler.

Sicherstellen, dass die Einbaustelle stark genug ist, um das Gewicht des Geräts zu tragen (z.B. eine Betondecke). Ist die Einbaufäche nicht stark genug, so muss sie durch Einbau von Verstärkungen tragfähiger gemacht werden.

## Folgende Einbauorte sind zu vermeiden:

- Orte, die chemischen Stoffen ausgesetzt sind, z.B. in der Nähe eines Schwimmbads
  - Orte, wo Dampf und ölige Dünste erzeugt werden, z.B. eine Küche.
  - Orte, an denen entzündbare Gase oder Dünste zugegen sind
  - Orte, wo radioaktive oder Röntgenstrahlung erzeugt wird
  - Orte, die starken elektromagnetischen Feldern oder Radiowellen ausgesetzt sind
  - Bereiche, in denen korrosives Gas erzeugt wird
  - Orte, wo Schäden durch salzhaltige Luft entstehen könnten, z.B. in Küstennähe
  - Orte, wo die Temperatur nicht im Bereich von  $-30\text{ °C}$  bis  $+50\text{ °C}$  liegt.
- \* Bei 12 V Gleichstrom  $-10\text{ °C}$  bis  $+50\text{ °C}$
- Vibration ausgesetzte Orte (das Gerät ist nicht für den Betrieb an Bord eines Fahrzeugs bestimmt.)

**Bei Nichtgebrauch sollte das Gerät unbedingt weggeräumt werden.**

## Weißabgleich

Unter folgenden Umständen kann es vorkommen, dass ein einwandfreier Weißabgleich nicht möglich ist:

- Bei Objekten, die schneeweiß oder fast einfarbig sind
- Bei Objekten im Freien, die im Morgen- oder Abendlicht schwach beleuchtet sind
- Bei Objekten, in deren Umgebung stark unterschiedliche Farbtemperaturen vorhanden sind (z.B. bei Farbbeleuchtung)

**Das Video-Ausgangskabel getrennt von Beleuchtungskabeln verlegen.**

Dies könnte zu Rauschstörungen führen.

## Hochfrequenzstörungen

Bei Verwendung des Geräts in der Nähe einer Fernseh-/Radioantenne oder eines starken elektrischen oder elektromagnetischen Feldes kann Bildverzerrung oder Rauschen auftreten. In diesem Fall das Kamerakabel in einem speziellen Kabelkanal verlegen.

## Befestigungsschrauben

Mitgeliefert werden lediglich die Schrauben zum Befestigen des Geräts an der mitgelieferten Einbauplatte. Die Schrauben bzw. Bolzen für die Montage des Geräts müssen selbst beschafft werden. Sie müssen für das Material und die Stärke der Einbaufäche des Geräts geeignet sein. Schrauben und Bolzen müssen mit dem für das Material und die Stärke der Einbaufäche geeigneten Anzugsmoment festgezogen werden. Nach dem Festziehen die Schrauben und Bolzen einer Sichtkontrolle unterziehen, um sicherzustellen, dass sie vorschriftsmäßig angezogen sind und kein Spiel vorhanden ist.

## Kabelrohre

Wird das Gerät im Freien eingesetzt, so muss die Verkabelung in Kabelrohren verlegt werden, um sie vor starker Kälte und direkter Sonneneinstrahlung zu schützen.

# Installation/Anschlüsse

## Vorsicht:

NUR AN EINE SPANNUNGSVERSORGUNG DER KLASSE 2 FÜR 24 V WECHSELSTROM ODER 12 V GLEICHSTROM ANSCHLIESSEN. (WV-CW384)

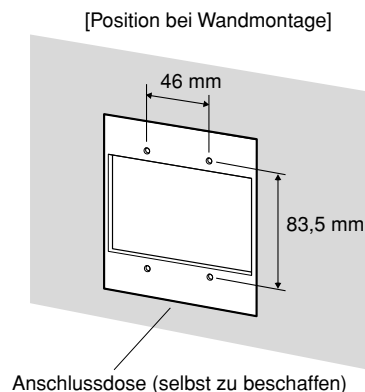
## ■ Vorbereitungen

Für die Montage stehen zwei Möglichkeiten zur Verfügung.

- Montage der Kamera direkt an der Wand.
- Wandmontage der Kamera mit der Adapterdose

## Hinweis:

- Die Schrauben zum Befestigen der Kamera-Einbauplatte sind in der Lieferung nicht enthalten. Bei der Wahl der Schrauben müssen Faktoren wie Material, Struktur, Stärke und andere Eigenschaften der Einbauplatte sowie das Gesamtgewicht der Anbauten berücksichtigt werden.



## Wichtig:

- Die Befestigungsschrauben müssen für das Material und die Stärke im Einbaubereich der Kamera-Einbauplatte geeignet sein. Holzschrauben oder Nägel dürfen nicht verwendet werden. Empfohlenes Anzugsmoment für M4: 1,6 N·m
- Pro Schraube/Bolzen muss eine Ausreißfestigkeit von mindestens 196 N vorhanden sein.
- Wenn die Deckenplatte zu schwach ist, um das Gesamtgewicht zu tragen, muss der Einbaubereich verstärkt werden.
- Bei Verwendung der mitgelieferten Adapterdose diese so anbringen, dass die Entwässerungsschlitze nicht nach oben zeigen.

## ■ Installation der Kamera

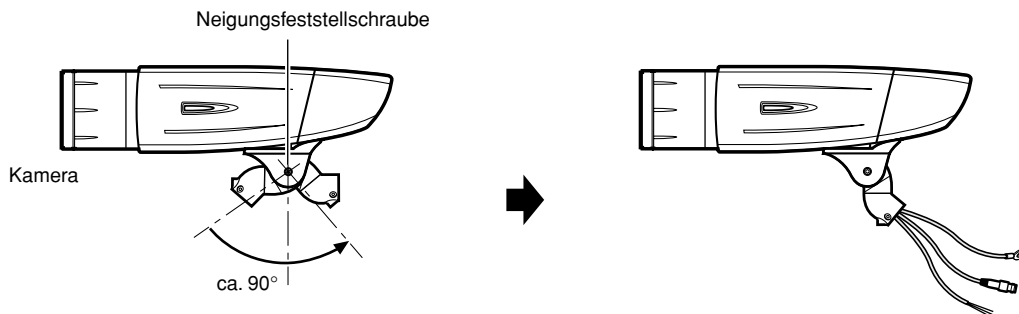
### 1 Montage der Kamera an der Einbauplatte

Im Lieferzustand ist der Neigungswinkel verriegelt.

1. Die Neigungsfeststellschraube um etwa eine Drehung lösen und die Kamera waagrecht stellen.
2. Dann die Neigungsfeststellschraube wieder festdrehen.

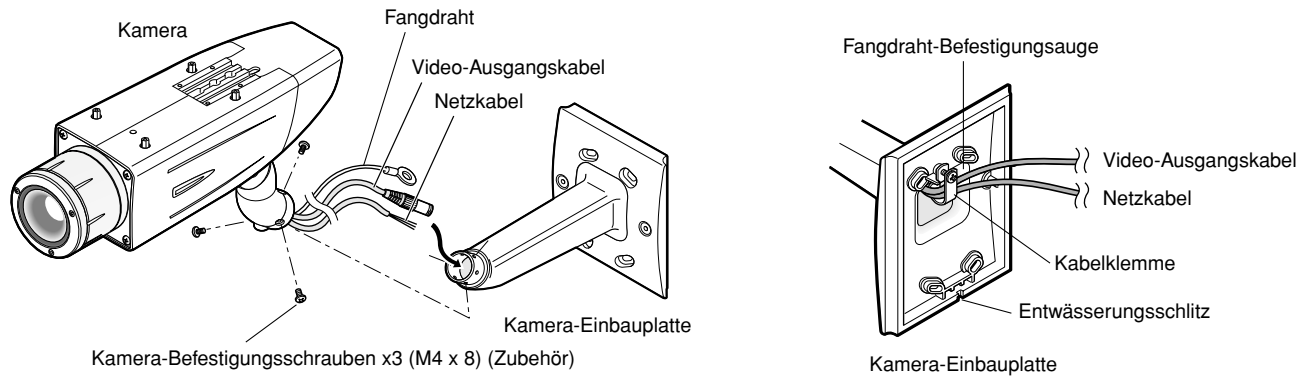
## Hinweis:

- Zum Lösen und Anziehen der Neigungsfeststellschraube einen Sechskantschlüssel der Weite 4 mm (selbst zu beschaffen) verwenden.



3. Das Video-Ausgangskabel, das Netzkabel und den Fangdraht von der Kamera her durch die Kamera-Einbauplatte zur Wand führen und mit der Kabelklemme bündeln.

4. Die Kamera mit den 3 Schrauben (Zubehör) an der Kamera-Einbauplatte befestigen.



5. Die Schraube aus dem Fangdraht-Befestigungsauge an der Einbauplatte schrauben und den Fangdraht mit der Schraube sichern.

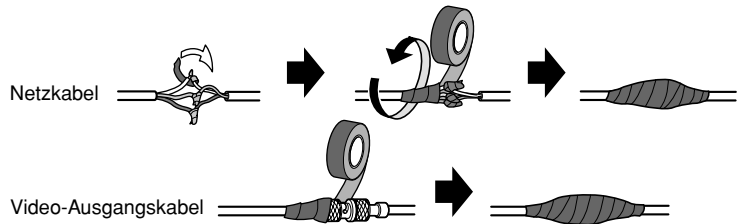
**Wichtig:**

- Sicherstellen, dass der Fangdraht sicher befestigt ist. Empfohlenes Anzugsmoment: 0,59 N·m

**Wichtig:**

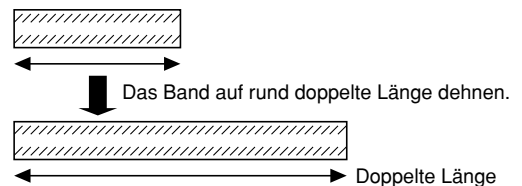
<Wasserdichtmachen>

- Bei Installation des Geräts im Freien müssen die Kabel abgedichtet werden. Die Kamera selbst ist wasserdicht, aber Einbauplatte und Adapterdose sind nicht wasserdicht.
- Für den Einsatz im Freien muss auf Kamera-Einbauplatte, Adapterdose, Kabeldurchführung, Schraubenlöcher und Schrauben eine Wasserabdichtung wie z.B. Silikongummi aufgebracht werden.
- Beim Montieren des Geräts an der Wand die Kamera-Einbauplatte so anbringen, dass die Entwässerungsschlitze nach unten weisen. Die Entwässerungsschlitze nicht blockieren. Ebenso wenig dürfen sie abgedichtet werden.
- Die Anschlussstellen des Netzkabels und des Video-Ausgangskabels durch Umwickeln mit dem mitgelieferten Abdichtband wasserdicht machen.



<Umwickeln mit Abdichtband>

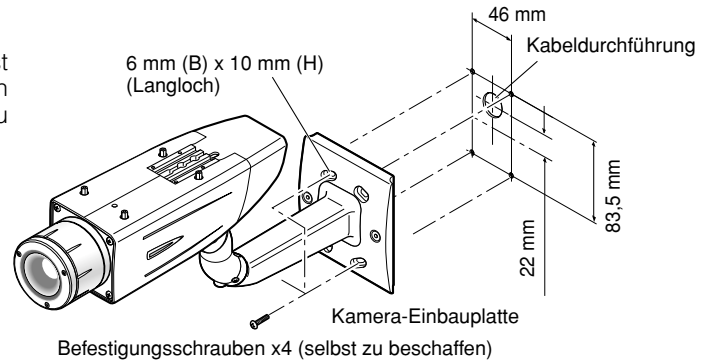
- Das Band (siehe Abbildung rechts) auf rund doppelte Länge dehnen und um die Kabel wickeln. Wenn das Band ungenügend gedehnt wird, ist auch die Wasserabdichtung ungenügend.
- Beim Umwickeln der Kabel sollte sich das Band um eine halbe Bandbreite überlappen.



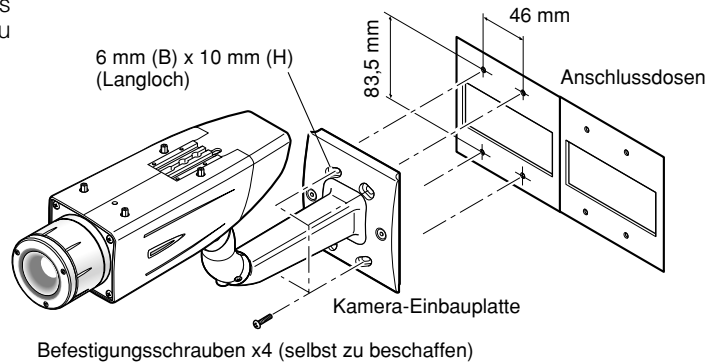
## 2 Befestigen der Kamera-Einbauplatte

### • Montage der Kamera direkt an der Wand

Die Kamera-Einbauplatte mit den 4 Schrauben (selbst zu beschaffen) direkt an einer Wand oder an einer an der Wand installierten Anschlussdose (selbst zu beschaffen) befestigen.

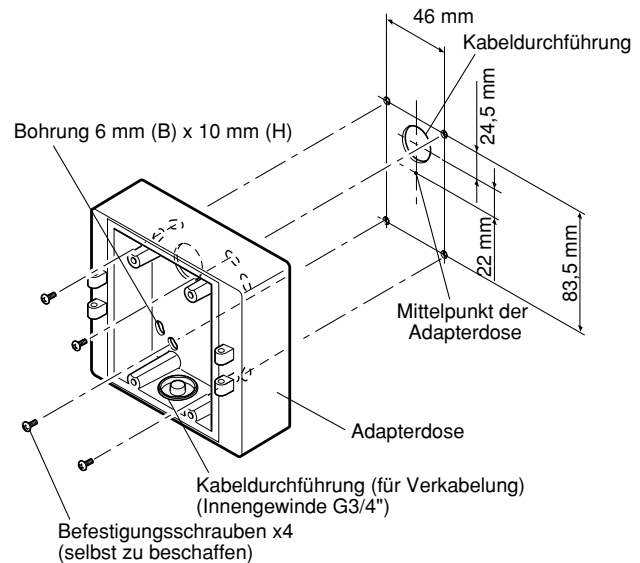


Bei Verwendung von Anschlussdosen empfiehlt es sich, diese gemäß Abbildung rechts nebeneinander zu installieren (zum Erleichtern der Verkabelung).

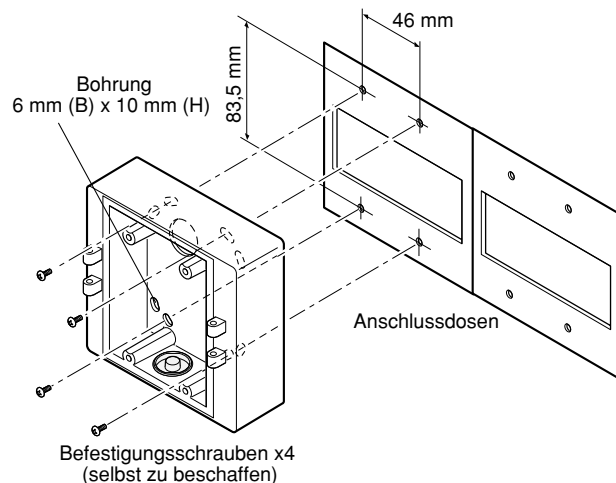


### • Montage der Kamera über eine Adapterdose an der Wand

1. Die Adapterdose mit den 4 Schrauben (selbst zu beschaffen) direkt an einer Wand oder an einer an der Wand installierten Anschlussdose (selbst zu beschaffen) befestigen.

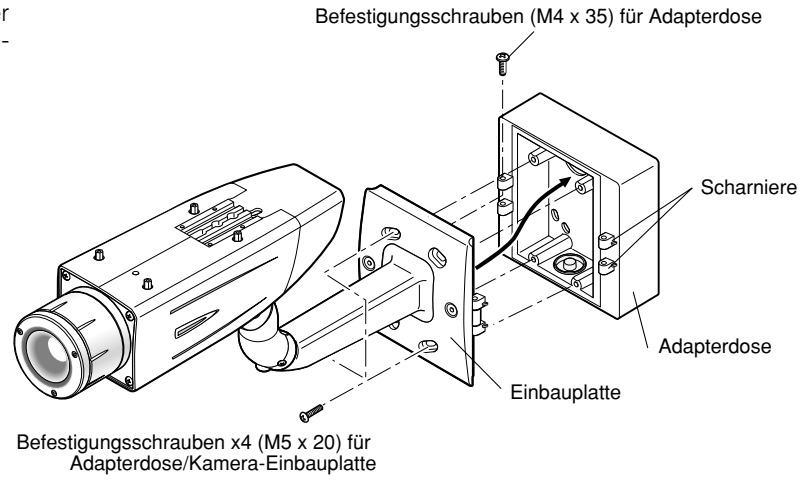


- Bei Verwendung von Anschlussdosen empfiehlt es sich, diese gemäß Abbildung rechts nebeneinander zu installieren (zum Erleichtern der Verkabelung).



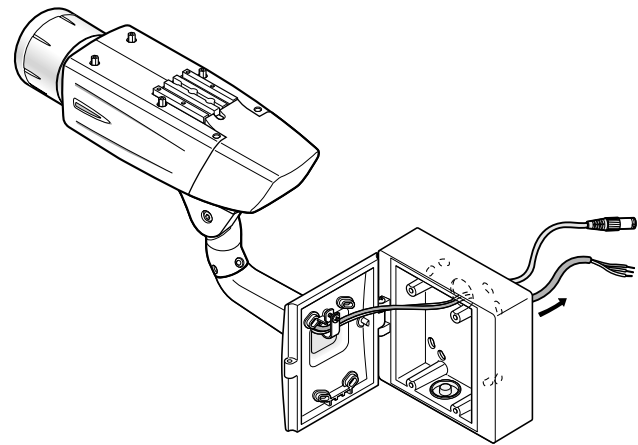


2. Die Kamera-Einbauplatte am rechten oder linken Scharnier der Adapterdose befestigen.

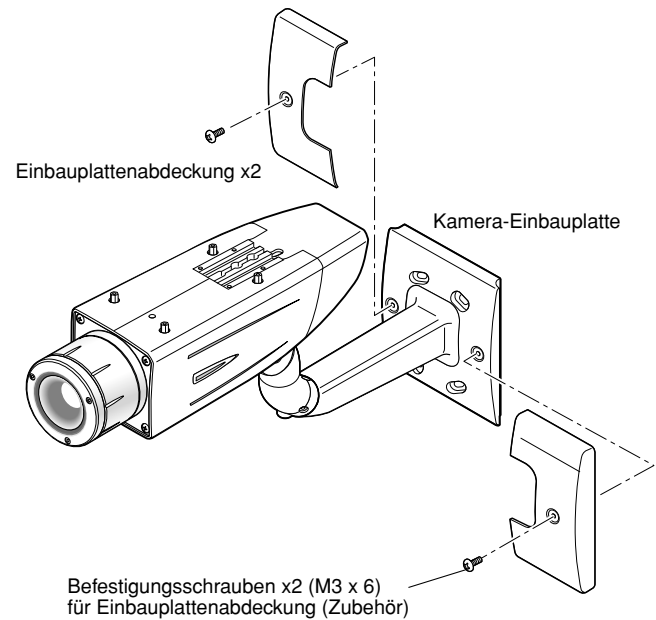


**Hinweis:**

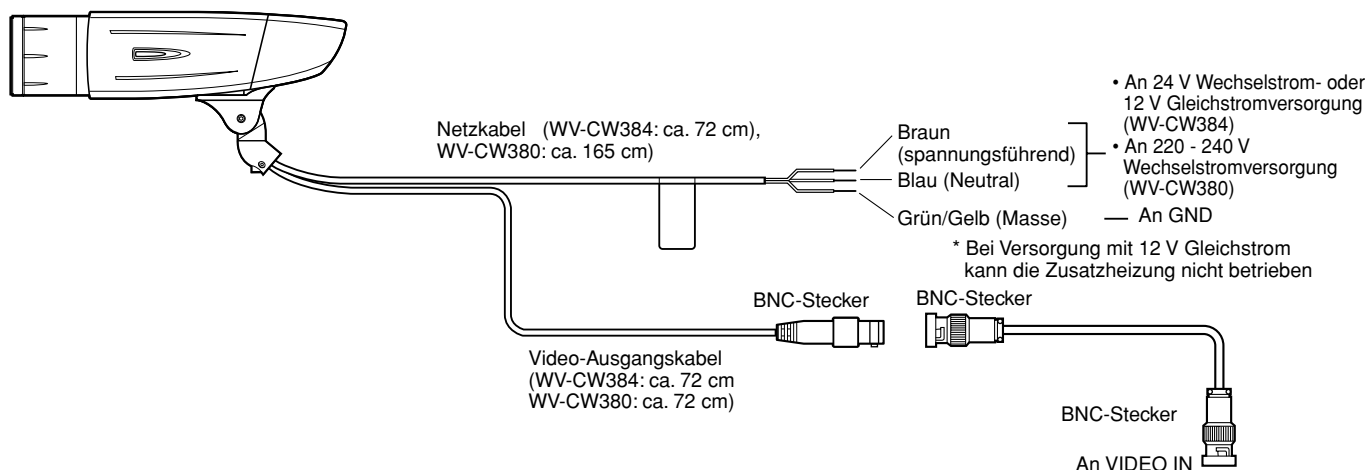
- Durch Befestigung am rechten oder linken Scharnier der Adapterdose soll verhindert werden, dass die Kamera-Einbauplatte in ihrer Bewegung durch die Wand usw. behindert wird.



**3 Die Einbauplattenabdeckungen mit den 2 Schrauben (Zubehör) an der Kamera-Einbauplatte befestigen.**



## 4 Anschlüsse



### Anschluss des Video-Ausgangs

Der Video-Ausgangsverbinder wird über ein Koaxialkabel (selbst zu beschaffen) an den Monitor oder eine andere Systemkomponente angeschlossen.

Die maximale Kabellänge ist aus der folgenden Tabelle ersichtlich.

Typ Koaxialkabel	RG-59/U (3C-2V)	RG-6/U (5C-2V)	RG-11/U (7C-2V)	RG-15/U (10C-2V)	
Empfohlene max. Kabellänge	m	250	500	600	800

### Netzanschluss

#### Vorsichtsmaßnahmen:

- Folgende Anschlüsse sollten von einem qualifizierten Kundendienst- oder Elektroniktechniker in Übereinstimmung mit NEC 725-51 vorgenommen werden.

#### Leiterfarben und -funktionen Kamera-Netzkabel

<WV-CW384>

Leiterfarben	24 V Wechselstrom	12 V Gleichstrom
Braun	24 V Wechselstrom (L)	Positiv
Blau	24 V Wechselstrom (N)	Negativ
Grün/Gelb	An GND	An GND

<WV-CW380>

Leiterfarben	
Braun	220 - 240 V Wechselstrom (L)
Blau	220 - 240 V Wechselstrom (N)
Grün/Gelb	An GND

#### Vorsicht:

- Bei Verwendung einer 24 V Wechselstrom- (WV-CW384) oder 220 - 240 V Wechselstromversorgung (WV-CW380) die Masseleitung (GND) der Kamera unbedingt an die Masseklemme des Netzteils anschließen.

- Das Aufschrumpfen der Kabeldichtung ist ein einmaliger Vorgang. Mit dem Aufschrumpfen der Kabeldichtung warten, bis bestätigt worden ist, dass das Gerät funktioniert.
- NUR AN EINE SPANNUNGSVERSORGUNG DER KLASSE 2 FÜR 24 V WECHSELSTROM ODER 12 V GLEICHSTROM ANSCHLIESSEN.
- Um Brand und elektrischen Schlag zu verhindern, nach UL zugelassenes Kabel (VW-1, Ausführung 1007) für die an die Eingangsklemmen anzuschließenden Kabel verwenden.
- Keinen Trafo für mehr als 10 VA verwenden.

### Kabellängen und Leiterquerschnitte <WV-CW384>

#### 24 V Wechselstrom

Die folgende Tabelle zeigt die empfohlenen Kabellängen und Kupferleiterquerschnitte.

Die der Kamera zugeführte Wechselspannung sollte innerhalb 19,5 V und 28 V liegen.

Empfohlener Leiterquerschnitt für 24 V Wechselstromkabel

Kupferdraht-Querschnitt (AWG)	#24 (0,22 mm <sup>2</sup> )	#22 (0,33 mm <sup>2</sup> )	#20 (0,52 mm <sup>2</sup> )	#18 (0,83 mm <sup>2</sup> )	
Leiterlänge (ca.)	m	20	30	45	75

#### 12 V Gleichstrom

Die folgende Tabelle zeigt den empfohlenen Widerstand für die einzelnen Kupferleiterquerschnitte.

Die der Kamera zugeführte Gleichspannung sollte innerhalb 10,5 V und 16 V liegen.

Widerstand von Kupferdraht [bei 20 °C]

Kupferdraht-Querschnitt (AWG)	#24 (0,22 mm <sup>2</sup> )	#22 (0,33 mm <sup>2</sup> )	#20 (0,52 mm <sup>2</sup> )	#18 (0,83 mm <sup>2</sup> )	
Widerstand Ω/m	m	0,078	0,050	0,03	0,018

Für "L", "R", "VA" und "I" gilt die folgende Ungleichung.

$$10,5 \text{ V Gleichstrom} \leq V_A - 2(R \times I \times L) \leq 16 \text{ V Gleichstrom}$$

L: Kabellänge (m)

R: Widerstand von Kupferdraht (Ω/m)

V<sub>A</sub>: Gleichspannung der Stromversorgung

I: Gleichstromverbrauch (A). Siehe Technische Daten.

---

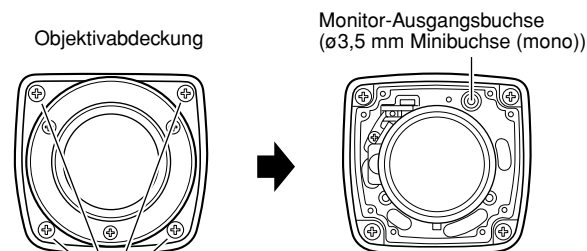
**Wichtig:**

- Bei Versorgung mit 12 V Gleichstrom kann die Zusatzheizung nicht betrieben werden.
- 

**5 Bei der Einstellung des Kamerawinkels das Resultat unbedingt auf dem Einstellmonitor beobachten.**

Die Stromversorgung des Geräts einschalten, den Einstellmonitor (z.B. kleines LC-Anzeigegerät) an den Monitor-Ausgangsbuchse anschließen und den Betrachtungswinkel der Kamera einstellen (zur Sicherheit anschließend den Strom ausschalten).

1. Die 4 Befestigungsschrauben der Objektivabdeckung lösen und diese abnehmen.
2. Den Einstellmonitor an den Monitor-Ausgangsbuchse anschließen.

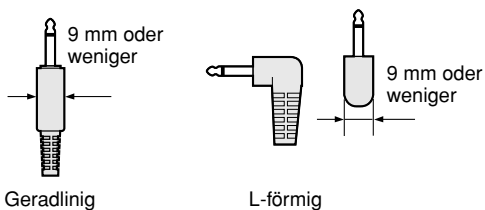


Befestigungsschrauben x4

---

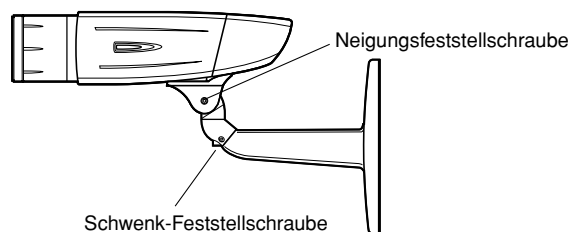
**Hinweis:**

- Bitte die Steckerform für den Anschluss des Einstellmonitors beachten.



3. Die Schritte (1) und (2) wiederholen, bis der Kamerawinkel nach Wunsch eingestellt ist.

- (1) Die Schwenk-Feststellschraube lösen und den Schwenk durch Drehen des Kamerakopfes in der Horizontalen einstellen.
- (2) Die Neigungsfeststellschraube lösen und die Neigung durch Drehen des Kamerakopfes in der Vertikalen einstellen.
- (3) Anschließend die Schwenk- und Neigungsfeststellschrauben wieder festdrehen.



---

**Wichtig:**

- Nicht vergessen, die Schwenk- und Neigungsfeststellschrauben nach dem Einstellen der Kamerawinkels wieder festzudrehen.  
Empfohlenes Anzugsmoment: 2,45 N·m
- 

---

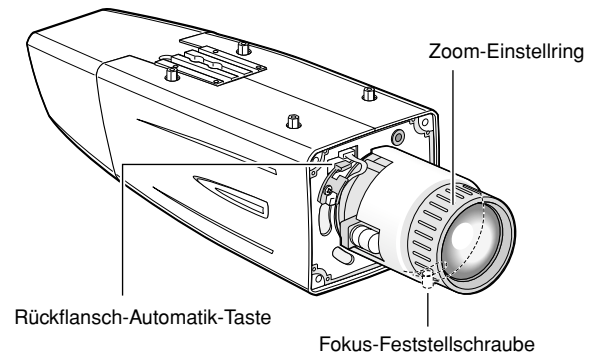
**Hinweise:**

- Zum Lösen und Anziehen der Schwenk- und Neigungsfeststellschrauben einen Sechskantschlüssel der Weite 4 mm (selbst zu beschaffen) verwenden.
  - Lösen der Schwenk- und Neigungsfeststellschrauben um etwa eine Drehung ist ausreichend zum Einstellen des Kamerawinkels. Die Schrauben nicht mehr als notwendig lösen.
  - Beim Lösen der Schwenk- und Neigungsfeststellschrauben ist das Kameragehäuse festzuhalten.
  - Die Fokussierung (☞ Seite 52) ist nach der Schwenk- und Neigungseinstellung durchzuführen.
-

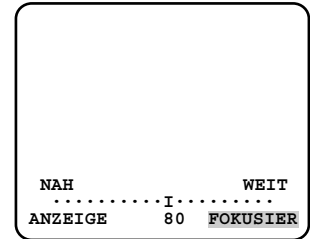
## 6 Fokussierung

Nach dem Einstellen des Kamerawinkels (☞ Seite 51) muss der Fokus neu eingestellt werden.

- Die Schritte (1) und (2) wiederholen, bis Betrachtungswinkel and Fokus nach Wunsch eingestellt sind.
  - Den Betrachtungswinkel durch Drehen des Zoomrings zwischen TELE und WIDE einstellen.
  - Die Fokusverriegelung lösen, den Fokus grob einstellen und die Verriegelung wieder festdrehen.



- Nach Einstellen des Betrachtungswinkels die Rückflansch-Automatik-Taste drücken und dabei das Resultat auf dem Einstellmonitor beobachten.  
→ Mit der Anzeige des Fokussierwerts unten auf dem Bildschirm wird das Auflagemaß automatisch eingestellt.



- Anschließend an die automatische Einstellung kann das Auflagemaß mit den Bedienungstasten oder über das Setup-Menü noch fein abgestimmt werden. (☞ Seite 67)

---

### Hinweise:

- Die Anzeige des Fokussierwerts wird automatisch gelöscht, wenn innerhalb 10 Sekunden keine Bedienung erfolgt.
- Bei der Einstellung des Betrachtungswinkels mit Hilfe des Zoomrings muss auch die Fokusverriegelung gelöst und der Fokus eingestellt werden.

---

### <Fokussierung>

- Bei Aufnahmen mit einem Objektiv mit Blendenautomatik kann der ursprünglich eingestellte Fokus aufgrund der sich aus dem Zustand der Irisblende ergebenden Tiefe der Fokussierebene geringfügig abweichen. In einem solchen Fall die Blende durch möglichst starkes Abdunkeln des Objekts öffnen und dann den Fokus einstellen. Defokussieren kann verhindert werden.  
Wenn im Setup-Menü (☞ Seite 67) "BACK-FOCUS SETUP" auf "ABF" gesetzt wird, kann der Fokus optimal innerhalb des Bereichs eingestellt werden, in dem automatisch an Helligkeitsänderungen angepasst wird. (Hinweis: Die eingestellte Brennweite stimmt nicht unbedingt mit der für die gegebene Beleuchtung optimalen Brennweite überein.)
- Im nahen Infrarotbereich kann die Unschärfe größer sein als im sichtbaren Lichtbereich.  
Wenn im Setup-Menü unter "BACK-FOCUS SETUP" der Posten "F ← → B/W" auf "AUTO" oder "PRESET" gesetzt wird, kann der Fokus sowohl im nahen Infrarotbereich als auch im sichtbaren Lichtbereich optimal eingestellt werden. (Eine Anpassung an Helligkeitsänderungen erfolgt nach der Fokussierung nicht.)

---

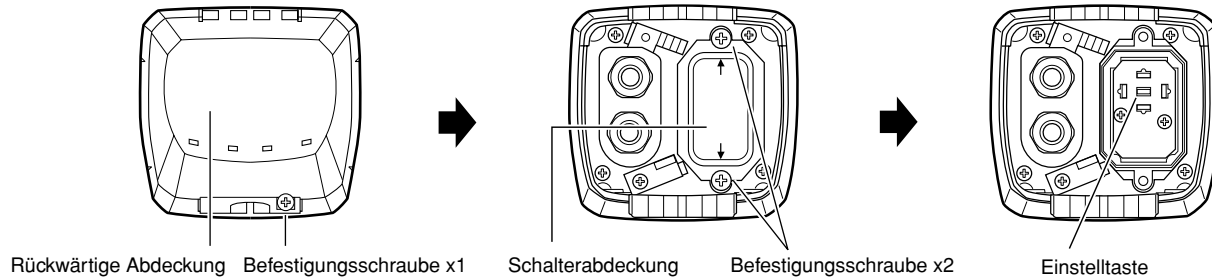
### <Verwendung eines Vario-Objektivs>

- Das Auflagemaß auf den vor der Einstellung bestehenden Vorgabewert zurücksetzen. (Die Rechts- und Linkstasten (Bedienungstasten) gleichzeitig mindestens 2 Sekunden gedrückt halten oder im Setup-Menü unter "BACK-FOCUS SETUP" den Cursor auf "MANUELL-JUSTAGE" bewegen, die Einstelltaste drücken und dann die Rechts- und Linkstasten gleichzeitig mindestens 2 Sekunden gedrückt halten.)

---

### <Feineinstellung des Auflagemaßes über das Setup-Menü>

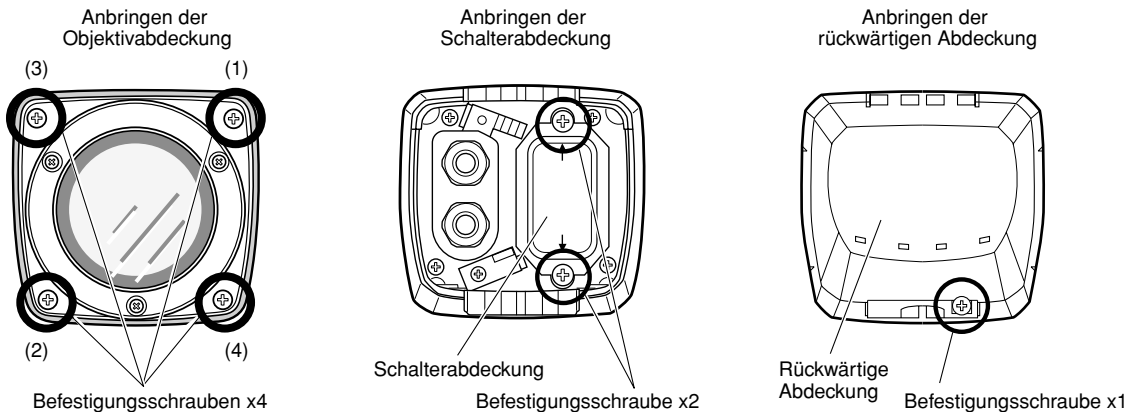
1. Die Befestigungsschraube der rückwärtigen Abdeckung lösen und diese abnehmen.
2. Die 2 Befestigungsschrauben der Schalterabdeckung lösen und diese abnehmen.
3. Zum Aufrufen der ersten Seite des Setup-Menüs die Einstelltaste mindestens 2 Sekunden gedrückt halten. Anschließend den Fokus einstellen. Zu weiteren Informationen siehe Seite 67.



---

## 7 Anbringen der Abdeckungen

1. Das Trockenmittel (Zubehör) unten in der Objektivabdeckung befestigen.
2. Objektiv-, Schalter- und rückwärtige Abdeckungen anbringen.



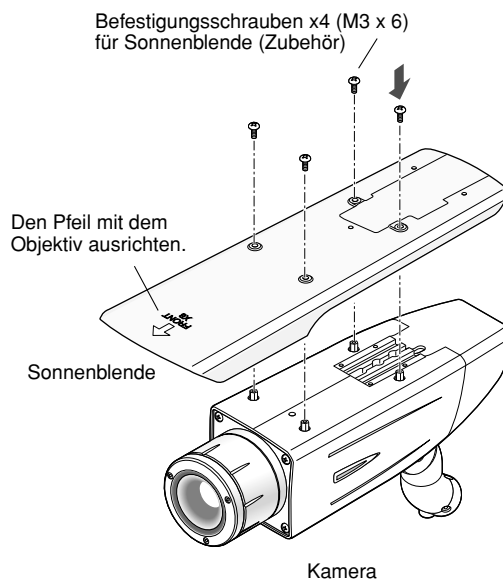
---

### Wichtig:

- Das unten angegebene Anzugsmoment gilt für die 2 Befestigungsschrauben der Schalterabdeckung und die 4 Befestigungsschrauben der Objektivabdeckung.  
Empfohlenes Anzugsmoment: 0,59 N·m
  - Nicht vergessen, das Trockenmittel (Zubehör) anzubringen. Zum Befestigen des Trockenmittels siehe die Anleitung auf der Packung.
  - Die einzuhaltende Reihenfolge beim Festziehen der 4 Befestigungsschrauben der Objektivabdeckung beachten und zweimal wiederholen (siehe Abbildung oben).  
((1) → (2) → (3) → (4), zweimal)
-

## 8 Anbringen der Sonnenblende

Die Sonnenblende mit den 4 Befestigungsschrauben (Zubehör) an der Kamera anbringen.

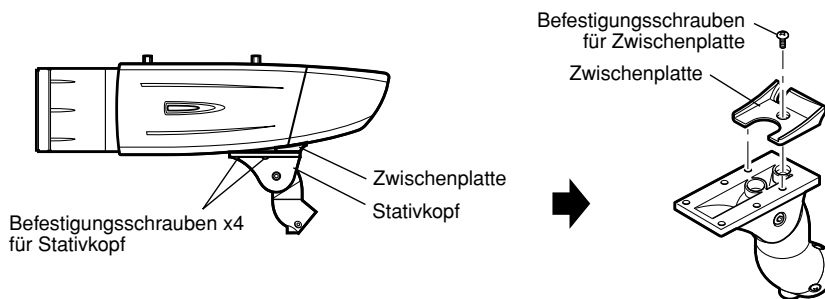


### Hinweise:

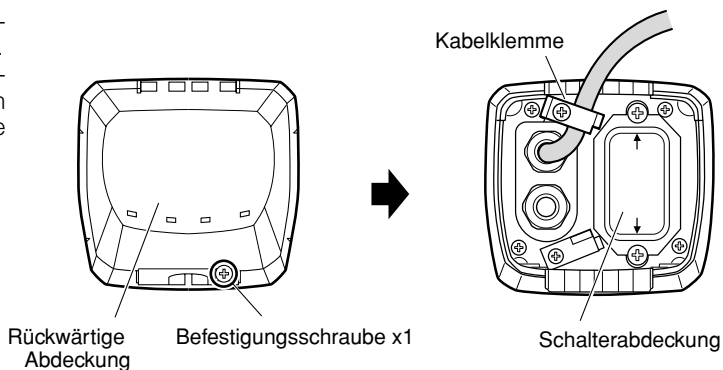
- Unbedingt die mitgelieferten Schrauben (Zubehör) zum Befestigen der Sonnenblende verwenden. Empfohlenes Anzugsmoment: 0,59 N·m
- Das mit "FRONT" gekennzeichnete Ende der Sonnenblende muss auf der Objektivseite liegen.

## 9 Vorbereitung für Montage an der Kameraoberseite

1. Die 4 Stativkopfschrauben aus dem Kameragehäuse herausdrehen und den Stativkopf abnehmen.
2. Die Befestigungsschrauben der Zwischenplatte lösen und die Zwischenplatte abnehmen.



3. Die Befestigungsschraube der rückwärtigen Abdeckung herausdrehen und die Abdeckung abnehmen.
4. Die Kabelklemme oben anbringen, so dass das Video-Ausgangskabel und das Netzkabel nach oben herausgeführt werden können. Anschließend die rückwärtige Abdeckung anbringen.



5. Den Stativkopf mit den in Schritt 1 entfernten 4 Schrauben an der Oberseite des Kameragehäuses befestigen.

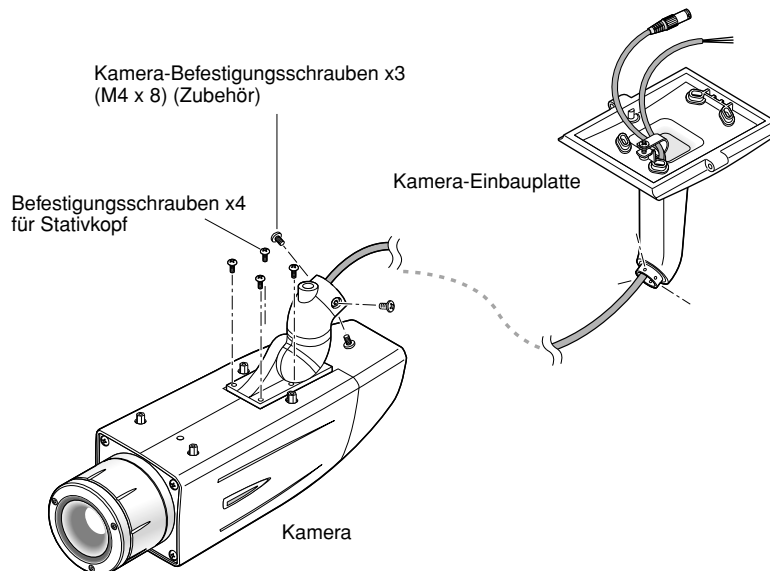
### Wichtig:

- Darauf achten, dass das Video-Ausgangskabel und das Netzkabel nicht zwischen Kameragehäuse und Stativkopf eingeklemmt werden.

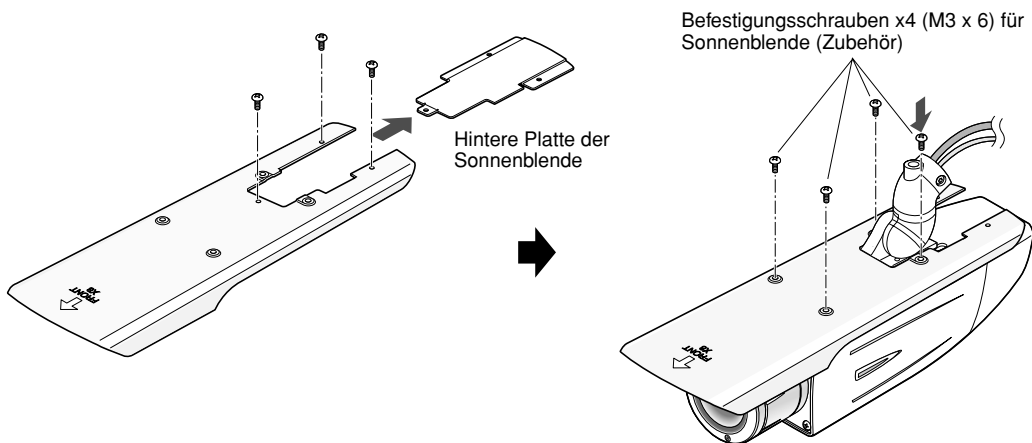
6. Die Kamera mit den 3 Schrauben (Zubehör) an der Kamera-Einbauplatte befestigen. Das Video-Ausgangskabel, das Netzkabel und den Fangdraht durch die Kamera-Einbauplatte führen und den Fangdraht an der Einbauplatte sichern.

**Wichtig:**

- Unbedingt die vorher aus dem Stativkopf entfernten Schrauben verwenden.  
Empfohlenes Anzugsmoment: 0,59 N·m

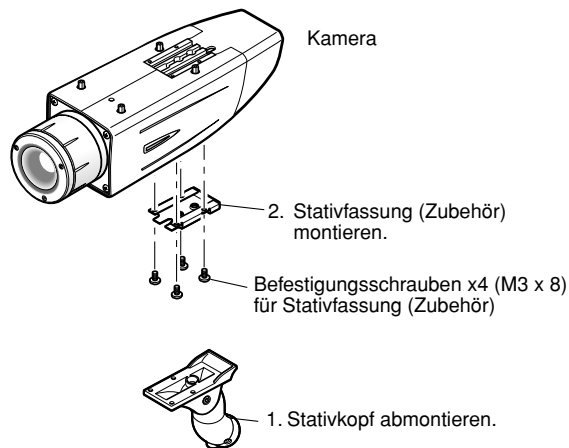


7. Die hintere Platte aus der Sonnenblende entfernen und die Sonnenblende mit den 4 Befestigungsschrauben (Zubehör) am Kameragehäuse anbringen.



**10 Verwendung der Stativfassung (Zubehör) (bei Einsatz einer anderen Kamera-Einbauplatte)**

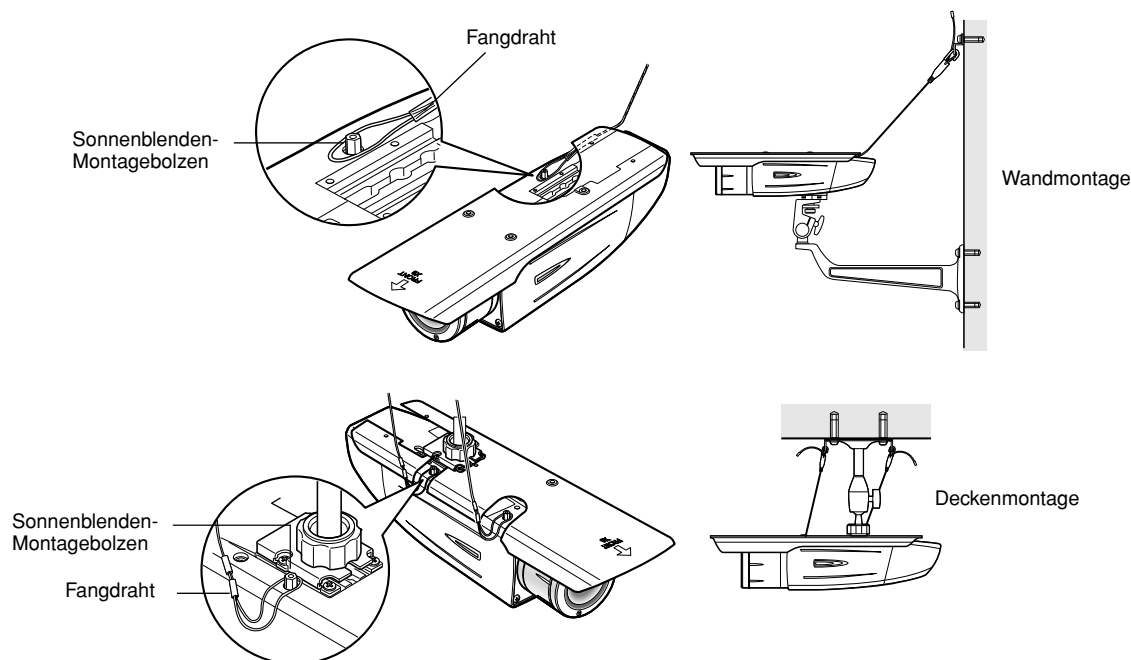
1. Die 4 Stativkopfschrauben aus dem Kameragehäuse herausdrehen und den Stativkopf abnehmen. Den Stativkopf zerlegen und das Video-Ausgangskabel und das Netzkabel herausziehen.
2. Die Stativfassung (Zubehör) mit den 4 Befestigungsschrauben (Zubehör) sichern.



3. Einen Fangdraht (selbst zu beschaffen) als Absicherung gegen ein Herunterfallen der Kamera verwenden.

	Kamera-Einbauplatte	Fangdraht
Für Wandmontage	WV-831	WV-Q140
Für Deckenmontage	WV-7010A	WV-Q141

4. Das Ende des Fangdrahts (mit Öse) auf den Montagebolzen der Sonnenblende haken und durch Festschrauben der Sonnenblende sichern.



5. Bei den folgenden Schritten die dem Fangdraht beiliegende Anleitung beachten.

---

**Wichtig:**

- Unbedingt die 4 zum Befestigen der Stativfassung mitgelieferten Schrauben (Zubehör) verwenden. Bei Verwendung von Schrauben ungeeigneter Länge kann das Gerät beschädigt werden.
  - Die 4 aus dem Stativkopf entfernten Schrauben können nicht wieder verwendet werden.
  - Die Kamera-Einbauplatten WV-831 und WV-7010A sowie die Fangdrähte WV-Q140 und WV-Q141 sind für den Einsatz in Innenräumen bestimmt. Für den Einsatz im Freien die als Zubehör mitgelieferte Einbauplatte verwenden.
-



# Setupmenüs

Die Kamera muss vor der Inbetriebnahme eingestellt werden. Im Setupmenü können die gegenwärtigen Einstellungen überprüft und neue Einstellungen gemacht werden.

Am folgenden Beispiel wird das Einstellverfahren bei Einstellung von "LANGUAGE" auf "DEUTSCH" erläutert.

## Inhalt der Kamera-Setupseite

Einstellposten	Beschreibung	Seitenverweis
<b>KAMERA</b>	Den Betrieb der Kamera betreffende Einstellungen vornehmen.	
KAMERA ID	Der Kameratitel kann bearbeitet und auf dem Bildschirm angezeigt werden.	59
ALC	Das Lichtregelungsverfahren einstellen.	60
SHUTTER	Die Verschlusszeit wählen.	61
AGC	Die Verstärkungsregelung wählen.	62
SENS UP	Die Empfindlichkeit einstellen.	62
SYNC	Das Synchronisationsverfahren einstellen.	62
WEISSBAL.	Das Verfahren des Weißabgleichs wählen.	63
MOTION DET.	Die Einstellungen für den Bewegungsmelder vornehmen.	63
DNR	Die DNR-Funktion (Digitale Rauschreduzierung) einstellen.	65
AUFLÖSUNG	Die horizontale Auflösung wählen.	65
S/W MODUS	Die Einstellungen für den Schwarzweißmodus, wie z.B. die Umschaltung zwischen Farbe und Schwarzweiß, vornehmen.	65
PRIVATZONE	Bestimmte Zonen als Privatzenen festlegen.	66
EL ZOOM	Den elektronischen Zoom einstellen.	66
STABILIZER	Mit "EIN" oder "AUS" den Verwackelschutz gegen verwackelte Bilder aktivieren- bzw. deaktivieren.	67
LED	Hier erfolgen die Einstellungen für LED.	67
<b>BACK-FOCUS</b>	Ein Verfahren für die Einstellung des Aufmaßes (Auflageflanschlänge) wählen und die Einstellung sehr genau vornehmen.	67
<b>SPEZIAL</b>		68
FARBSÄTTIGUNG	Den Chromapegel (Farbdichte) einstellen.	68
APERTURE	Die Blendenöffnung einstellen.	68
PEDESTAL	Die Schwarzabhebung (Helligkeit) einstellen.	68
PIX AUS	Bilddefekte wie Kratzer korrigieren.	68
KAMERA RESET	Die Einstellungen im Setupmenü auf die Vorgaben zurücksetzen.	69
SER.NR	Die Fabriknummer der Kamera überprüfen.	69
<b>LANGUAGE</b>	Die Sprache für die Anzeige der Setupmenüs wählen.	59

## ■ Allgemeine Bedienung

Im Folgenden wird die Einstellung der einzelnen Menüposten über die Bedienungstasten der Kamera (siehe S. 44) beschrieben. Die Einstellung ist auch über ein als Option erhältliches Bedienteil möglich.

---

### Hinweis:

- Die Abbildungen zeigen Beispiele der Anzeige auf dem Videomonitor.
- 

1. Die [SET]-Taste ca. 2 Sekunden gedrückt halten.  
→ Das Hauptfenster erscheint.
2. Den Cursor mit der [UP]- oder [DOWN]-Taste auf "END" bewegen.

```
MODELL WV-CW380 SERIES
KAMERA↵
BACK-FOCUS↵
SPEZIAL↵
LANGUAGE↵

END SETUP INAKTIV
```

3. Den Cursor mit der [RIGHT]-Taste auf "SETUP" bewegen und die [SET]-Taste drücken.  
→ Die Anzeige "INAKTIV" wechselt auf "AKTIV", d.h. die Einstellposten können geändert werden.

```
MODELL WV-CW380 SERIES
KAMERA↵
BACK-FOCUS↵
SPEZIAL↵
LANGUAGE↵

END SETUP AKTIV
```

4. Den Cursor auf den gewünschten Einstellposten bewegen und die [SET]-Taste drücken.  
→ Die Einstellseite für den gewählten Einstellposten erscheint.

```
**KAMERA SETUP** 1/2
KAMERA ID AUS↵
ALC ALC↵
SHUTTER AUS
AGC AUS
SENS UP AUS
SYNC INTERN
WEISSBAL. ATW1↵
MOTION DET. MODE1↵
DNR HOCH
AUFLÖSUNG HOCH
S/W MODUS↵
```

5. Für jeden Posten einen Parameter setzen.  
**Einstellposten wählen:** Den Cursor mit der [UP]- oder [DOWN]-Taste bewegen.  
**Parameter ändern:** Die [RIGHT]- oder [LEFT]-Taste drücken.  
**Detail-Einstellseite für den Einstellposten aufrufen:** Bei Wahl eines durch ["↵"] gekennzeichneten Einstellpostens die [SET]-Taste drücken.  
**Zur vorherigen Seite zurückschalten:** Den Cursor auf "ZURÜCK" bewegen und die [SET]-Taste drücken.  
**Zur nächsten Seite weiterschalten:** Den Cursor auf "ANFANG" bewegen und die [SET]-Taste drücken.

```
**KAMERA SETUP** 2/2
PRIVATZONE AUS
EL ZOOM AUS
STABILIZER AUS
LED ON

ZURÜCK ANFANG END
```

6. Um das SETUP-Menü zu schließen und Kamerabilder anzuzeigen, den Cursor auf "END" bewegen und die [SET]-Taste drücken.

---

### Hinweise:

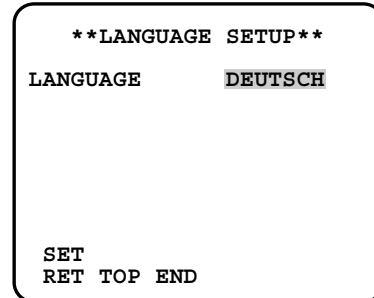
- Um Fehlbedienung zu verhindern, erscheint auf der Hauptseite der Kamera immer die Anzeige "INAKTIV". Um Einstellungen im SETUP-Menü vorzunehmen, zuerst die Anzeige "INAKTIV" auf "AKTIV" umschalten.
  - Die Cursorposition wird hervorgehoben angezeigt.
-

# Einstellverfahren

Zunächst eine Sprache wählen, in der die Menüs und Kamerakennungen angezeigt werden sollen.

## Einstellen der Sprache (LANGUAGE SETUP)

1. Im Hauptmenü "LANGUAGE" wählen und die [SET]-Taste drücken.  
→ Das "LANGUAGE SETUP"-Menü wird angezeigt.
2. Eine Sprache wählen. Die Vorgabeeinstellung ist "DEUTSCH".  
**Wählbare Sprachen:** ENGLISH, FRANÇAIS, ESPAÑOL, DEUTSCH, ITALIANO, РУССКИЙ, CHINESE, JAPANESE
3. Im Menü "SET" wählen und die [SET]-Taste drücken.



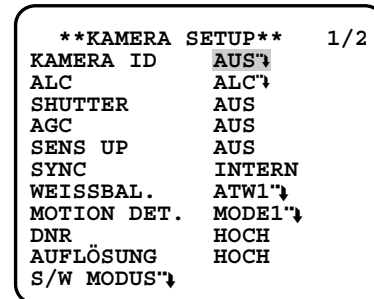
## 1. Einstellen der Kamera-Kennung (KAMERA ID)

Der Kamera einen aus bis zu 16 Zeichen bestehenden Namen zuweisen, der in der gewählten Position dem Kamerabild überlagert wird.

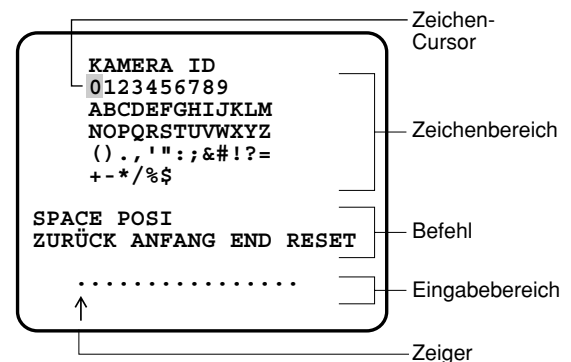
### Hinweis:

- Eine Kamera-Kennung wird gelöscht, wenn nach deren Eingabe die Sprache gewechselt wird.

1. Im "KAMERA SETUP"-Menü "KAMERA ID" auf "EIN"↵ oder "AUS"↵ setzen und die [SET]-Taste drücken.  
**EIN**↵: Die eingegebene Kamerakennung wird angezeigt.  
**AUS**↵: Die Kamera-Kennung wird nicht angezeigt.  
→ Das "KAMERA ID"-Menü wird angezeigt.
2. Im Zeichenbereich ein Zeichen wählen und die [SET]-Taste drücken.  
→ Das gewählte Zeichen erscheint im Eingabebereich.

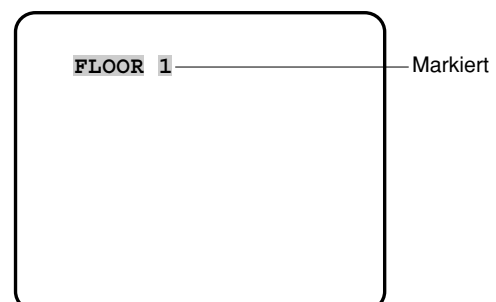


3. Den obigen Vorgang wiederholen, bis alle Zeichen eingegeben sind.
  - Um eine Leerstelle einzufügen, "SPACE" wählen und die [SET]-Taste drücken.
  - Ersetzen eines bestimmten Zeichens im Eingabebereich:
    1. Den Cursor in den Eingabebereich bewegen und anschließend den Zeiger durch Drücken der [RIGHT]- und [LEFT]-Tasten auf das zu ändernde Zeichen bewegen.
    2. Den Cursor auf Zeichenbereich auf das gewünschte Zeichen bewegen und die [SET]-Taste drücken.
  - Um alle Zeichen der Kamerakennung zu löschen, "RESET" wählen und die [SET]-Taste drücken.



### Hinweis:

- Wenn als Sprache Chinesisch gewählt ist, können bis zu 8 Zeichen eingegeben werden.



4. Anzeigeposition der Kamerakennung:
  1. "POS1" wählen und die [SET]-Taste drücken.  
→ Die eingegebene Kamerakennung wird hervorgehoben auf dem Bildschirm angezeigt.
  2. In die gewünschte Stelle verschieben und die [SET]-Taste drücken.  
→ Die Position wird eingestellt, und die Anzeige schaltet auf das "KAMERA ID"-Menü zurück.

**Hinweis:**

- Durch Niederhalten der Tasten [RIGHT], [LEFT], [UP] oder [DOWN] für mindestens 1 Sekunde kann die Kamerakennung schneller auf dem Bildschirm verschoben werden.

## 2. Einstellung der Lichtregelung (ALC)

Die zum verwendeten Objektivtyp passende Lichtregelung wählen.

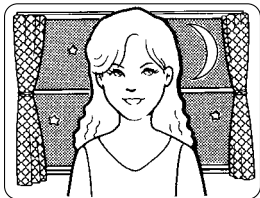
**ALC**↴: Lichtregelung für Objektive mit Blendenautomatik. "SUPER-D3" steht bei dieser Wahl zur Verfügung.

### 2-1. ALC-Modus mit SUPER-D3 EIN

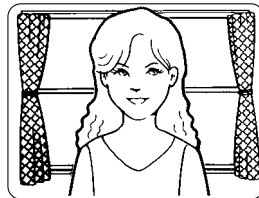
#### Super-Dynamic 3 (SUPER-D3)

Im SUPER-D3-Modus wird der Mitte des Bildschirms gegenüber den Rändern des Bildschirms (wo das helle Gegenlicht am häufigsten auftritt) mehr fotometrisches Gewicht zugemessen.

SUPER-D3 EIN

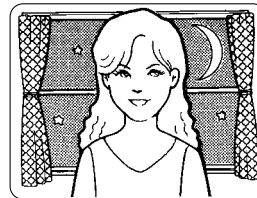


Nachts

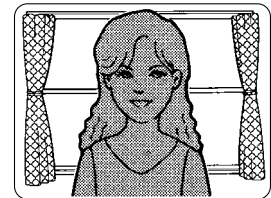


Tags

SUPER-D3 AUS



Nachts



Tags

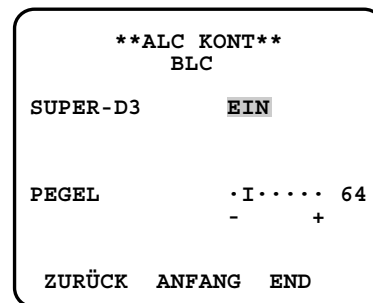
**SUPER-D3 EIN:** Aktiviert SUPER-D3 für die automatische Kompensation von Gegenlicht.

**SUPER-D3 AUS:** Aktiviert die manuelle Kompensation von Gegenlicht.

**Hinweise:**

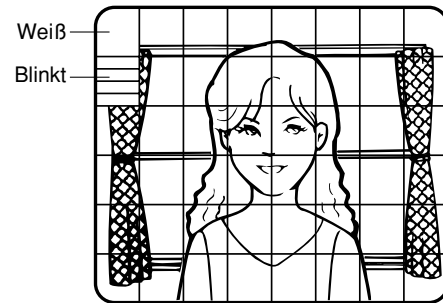
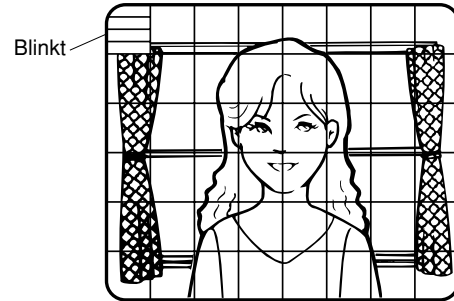
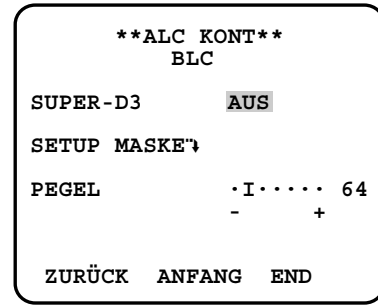
- In Stellung "EIN" stehen für "SHUTTER" und "SENS UP" nur die auf der nächsten Seite aufgeführten Parameter zur Verfügung.
- "SUPER-D3" auf "AUS" setzen, wenn Bildrauschen in hellen Bereichen, Flimmern oder eine Verschlechterung der Farbqualität auftritt.

1. Den Cursor auf "ALC" bewegen und die [SET]-Taste drücken.  
→ Das "ALC KONT"-Menü wird angezeigt.
2. Für "SUPER-D3" "EIN" wählen.
3. Den Video-Ausgangspegel (PEGEL) durch Bewegen des "I"-Cursors verändern. Es empfiehlt sich, "PEGEL" etwas höher einzustellen.



## 2-2. ALC-Modus mit SUPER-D3 AUS

- Den Cursor auf "KAMERA SETUP"-Menü auf "ALC" bewegen, und im "ALC CONT"-Menü "SUPER-D3" auf "AUS" setzen.  
→ Im "ALC CONT"-Menü erscheint der Posten "SETUP MASKE"↓.
- "SETUP MASKE" wählen und die [SET]-Taste drücken.  
→ Dem Kamerabild werden 48 Maskenbereiche überlagert, wobei der Cursor in der oberen linken Ecke blinkt.
- Den Cursor auf einen Bildbereich bewegen, wo die Hintergrundbeleuchtung stark ist, und diesen Bereich durch Betätigen der [SET]-Taste maskieren.  
→ Der maskierte Bereich blinkt weiß, wenn sich der Cursor darin befindet, bzw. geht auf weißes Dauerlicht, wenn der Cursor in anderen Bereichen ist.
- Um eine Maske aufzuheben, den Cursor auf die Maske bewegen und die [SET]-Taste drücken.  
→ Ein aufgehobener Maskenbereich wechselt von weiß auf normale Anzeige.  
Um alle Masken zu löschen, die [RIGHT]- und [LEFT]-Taste gleichzeitig mindestens 2 Sek. drücken.
- Schritte 3 und 4 nach Bedarf wiederholen.



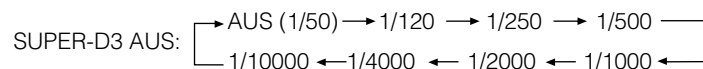
- Die [SET]-Taste mindestens 2 Sekunden.  
→ Das "ALC CONT"-Menü wird angezeigt.
- Den Video-Ausgangspegel (PEGEL) durch Bewegen des "I"-Cursors verändern.

### Hinweis:

- Bei Wahl von "EIN" für "SUPER-D3" kann an der Grenze zwischen dem hellen und dem dunklen Bereich ein Schatten (schwarze Linie) erscheinen. Dies ist normal und stellt keine Störung dar.

## 3. Einstellen der Verschlusszeit (SHUTTER)

Wenn im "KAMERA SETUP"-Menü "ALC" gewählt wurde, eine passende Verschlusszeit wählen. Durch Wahl einer kürzeren Verschlusszeit kann Unschärfe bei sich schnell bewegenden Objekten verringert werden. Die werksseitige Vorgabeeinstellung ist "AUS".



### Hinweise:

- Wenn "SUPER-D3" auf "EIN" steht, steht nur "AUS" zur Verfügung.
- Bei Wahl einer kürzeren elektronischen Verschlusszeit wird das Bild allgemein dunkler und es kann Überstrahlen (durch helle Objekte hervorgerufene senkrechte Streifen) auftreten.

## 4. Einstellen der Verstärkungsregelung (AGC)

Einen Modus für die Verstärkungsregelung wählen. Diese Einstellung hebt die Verstärkung an und erhellt das Bild bei schlechten Lichtverhältnissen. Die Vorgabe ist "EIN (HOCH)".

**Mögliche Einstellungen:** EIN (HOCH), EIN (MITTEL), EIN (NIEDRIG), AUS

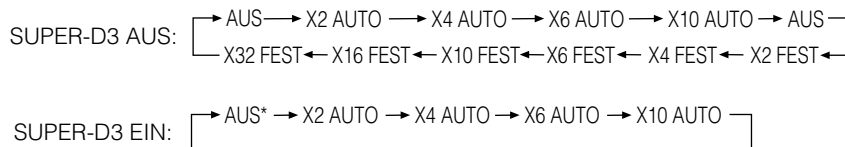
## 5. Elektronische Empfindlichkeitsanhebung (SENS UP)

Wenn ALC gewählt wurde, eine passende Empfindlichkeitsanhebung wählen. Je höher der Wert, desto heller wird das Bild. Die werksseitige Vorgabeeinstellung ist "AUS".

**AUTO:** Aktiviert "AGC" und hebt die Empfindlichkeit adaptiv an die gewählte Verstärkung an, z.B. 10fach bei Einstellung auf "X10 AUTO".

**FEST:** Hebt die Empfindlichkeit fest auf die gewählte Verstärkung an.

**AUS:** Hebt die Empfindlichkeit nicht an.



\* Vorgabe

### Hinweise:

- Über einige Bediengeräte lassen sich nur bestimmte SENS UP-Funktionen bedienen. In diesem Fall die Bedienungstasten an der Kamera benutzen.
- Wenn "SENS UP" auf "AUTO" und "SUPER-D3" auf "EIN" steht, hat SENS UP den Vorrang gegenüber SUPER-D3 und diese Funktion wird nicht automatisch aktiviert.
- Bei Wahl der SENS UP-Funktion können im Bild Rauschen, Flecken oder Weißfärbung auftreten, wenn die Empfindlichkeit der Kamera erhöht wird. Dies ist jedoch normal.
- Die ABF-Einstellung oder Wahl von "AUTO" für "F  $\leftrightarrow$  S/W" im "BACK-FOCUS SETUP"-Menü ist nur dann möglich, wenn die Empfindlichkeitsanhebung (SENS UP) auf "AUS", "X2 FEST" oder "X2 AUTO" steht. Bei Wahl einer anderen Empfindlichkeit als "X2 FEST" oder "X2 AUTO" "F  $\leftrightarrow$  S/W" im "BACK-FOCUS SETUP"-Menü auf "PRESET" und "FEST" einstellen.

## 6. Einstellen der Synchronisation (SYNC)

1. Ein Synchronisationsverfahren wählen.

**VD2:** Multiplex-Vertikalansteuerungssignal, höchste Priorität

**NETZSYNC:** Zeilensynchronisation, folgt der Phase der Wechselstromversorgung, zweite Priorität

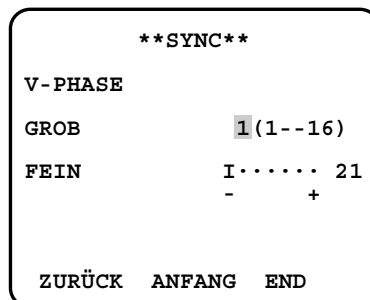
**INTERN:** Interne Synchronisation, niedrigste Priorität

### Hinweise:

- Nicht wählbar, wenn die Kamera mit dem VD2-Signal versorgt wird. Wählbar bei Einstellung auf "NETZSYNC", wenn der entsprechende Synchronimpuls zugeführt wird.
- Bei Wahl von "NETZSYNC" ist Phasenabgleich erforderlich.

2. Vertikaler Phasenabgleich bei Zeilensynchronisation (V-PHASE)

- "NETZSYNC" wählen und die [SET]-Taste drücken.
- Einen Zweistrahl-Oszillografen bereitstellen und diesem den Video-Ausgang der einzustellenden Kamera und den einer Bezugskamera zuführen.
- Den Oszillografen auf Vertikalfrequenz einstellen und die vertikale Synchronisationskomponente auf dem Bildschirm expandieren.
- Unter den 16 verfügbaren "GROB"-Phasenschritten (22,5 Grad/Schritt) denjenigen auswählen, bei dem die zwei Videosignale auf dem Oszillografen am engsten übereinstimmen.



- Die "FEIN"-Phase so wählen, dass die zwei Videosignale auf dem Oszillografen möglichst eng übereinstimmen.

**Hinweise:**

- Durch Bewegen des "I"-Cursors über das +/--Ende hinaus verlagert sich der "FEIN"-Bereich.
- Gleichzeitiges Drücken der [RIGHT]- und [LEFT]-Tasten setzt "V-PHASE" auf die Vorgabe zurück (0 Grad).
- Durch Niederhalten der Tasten [RIGHT] und [LEFT] für 1 Sekunde kann der "I"-Cursor schneller verschoben werden.
- Etwaige Überschwingspitzen auf der Netzleitung können die NETZSYNC-Synchronisation stören.

## 7. Einstellen des Weißabgleichs (WEISSBAL.)

Im "KAMERA SETUP"-Menü einen Wert für "WEISSBAL." setzen. Die werksseitige Vorgabeeinstellung ist "ATW1".

**ATW1:** Es passt sich automatisch an Farbtemperaturen im Bereich von 2 700 K - 6 000 K an.

**ATW2:** Es findet automatische Anpassung bei Natriumlampenbeleuchtung (2 000 K - 6 000 K) statt.

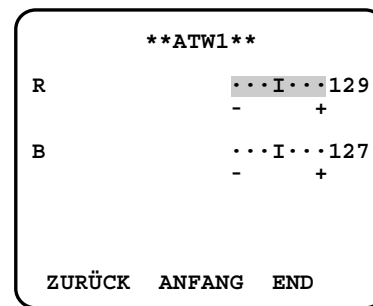
**AWC:** Es findet automatische Anpassung bei Natriumlampenbeleuchtung (2 000 K - 10 000 K) statt.

**Hinweise:**

- Bei Wahl von "ATW1" oder "ATW2" sind keine weiteren Einstellungen notwendig.
- "ATW1" und "ATW2" sind im Setupmenü des Bediengeräts nicht enthalten.
- In folgenden Fällen "AWC" wählen: Die Farbtemperatur liegt außerhalb des Bereichs von 2 000 K - 6 000 K, die Szene enthält vorwiegend hohe Farbtemperaturen wie z.B. einen blauen Himmel oder Sonnenuntergang, oder die Szene ist unterbelichtet.
- Bei Wahl von "AWC" muss die "AWC"-Einstellung vorgenommen werden.

### AWC-Einstellung

1. "AWC" wählen und die [LEFT]-Taste drücken.  
→ "AWC" wechselt auf "AWC → DRÜCKEN".
2. Die [SET]-Taste drücken.  
→ Während der "AWC"-Einstellung wird "DRÜCKEN" hervorgehoben.



**Hinweis:**

- Wurde kein Weißabgleich ausgeführt, wird "DRÜCKEN" hervorgehoben.

3. Die [RIGHT]-Taste drücken.

### Manueller Feinabgleich

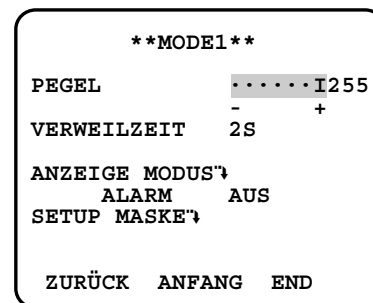
Nach Bedarf Feinabgleich vornehmen.

1. "WEISSBAL." wählen und die [SET]-Taste drücken.  
→ Das Feinabgleichmenü für ATW bzw. AWC erscheint.
2. Durch Bewegen des "I"-Cursors die "R" (Rot)- und "B" (Blau)-Verstärkung fein abgleichen.

## 8. Einstellung des Bewegungsmelders (MOTION DET.)

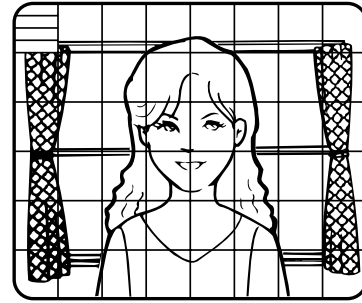
Wenn eine Serie von Bewegungen in Bildern erfasst wird, überträgt die Kamera ein Alarmsignal zu einem externen Gerät, z.B. Digitalrekorder. Der Rekorder beginnt mit der Aufzeichnung der Bilder.

1. Im "KAMERA SETUP"-Menü einen Wert für "MOTION DET." setzen.  
Die werksseitige Vorgabeeinstellung ist "AUS".  
**AUS:** Deaktiviert den Alarmausgang.  
**MODE1:** Überträgt ein Alarmsignal, wenn eine Serie von Bewegungen erfasst wird.  
**MODE2:** Überträgt ein Alarmsignal, wenn eine Serie von Szenenwechseln erfasst wird.  
→ Um das "MODE1"-Menü zu öffnen, "MODE1" wählen und die [SET]-Taste drücken.



2. "PEGEL" für optimale Ansprechempfindlichkeit des Detektors einstellen.

3. Verweilzeit wählen. Die Vorgabeeinstellung ist "2S".  
**Einstellzeiten (Sekunden):** 2, 5, 10, 30  
 Die nächste Erfassung erfolgt nach Ablauf der eingestellten Zeitspanne.
4. "SETUP MASKE" wählen und die [SET]-Taste drücken.  
 → Ein in 48 Segmente unterteilter Bildschirm erscheint.
  - Von der Erfassung auszuschließende (maskierte) Bereiche und Erfassungsbereiche analog 2-2 ALC-Modus festlegen. (☞ Seite 61)
  - Durch Niederhalten von [SET]-Taste für 2 Sekunden zum "MODE1"-Menü zurückschalten.




---

#### Hinweis:

- Bevor Maskenbereiche festgelegt werden, im "KAMERA SETUP"-Menü "STABILIZER" auf "AUS" setzen.
- 

5. Unter "ANZEIGE MODUS" den Posten "ALARM" auf "EIN" oder "AUS" setzen.  
**EIN:** Alarmausgang  
**AUS:** Kein Alarmausgang. Dies gilt bei Verwendung eines der folgenden Bediengeräte: Serie WV-RM70, WV-CU550, sowie WV-CU161, WV-CU360, WV-CU650, WV-CU850, WV-CU950
6. Zum Einsehen der aktuellen Einstellungen "ANZEIGE MODUS" wählen und die [SET]-Taste drücken.  
 Wenn Bewegung erkannt wird, blinkt der entsprechende Bereich.
  - Durch Drücken der [SET]-Taste zum "MODE1"-Menü zurückschalten.
7. Die "PEGEL"- und "SETUP MASKE"-Einstellungen unter Beobachtung des "ANZEIGE MODUS"-Bildschirms nach Bedarf wiederholen.

---

#### Wichtig:

- Bei Systemen anderer Hersteller als Panasonic "MOTION DET." auf "AUS" stellen, um zu verhindern, dass die Systemgeräte das Timecode-Signal fälschlich als Alarmsignal interpretieren.
  - Mit "SETUP MASKE" Bereiche maskieren, in denen im Wind flatternde Gegenstände wie Blätter oder Vorhänge vorhanden sind.
  - Die Ansprechempfindlichkeit des Detektors so einstellen, dass Rauschen bei schwacher Beleuchtung nicht irrtümlich als Bewegung erkannt wird.
  - Vom Zeitpunkt der Erfassung bis zum Eingang des Alarmsignals am Alarmeingang des Videorekorders vergehen ca. 0,2 Sekunden.
  - Der Bewegungsmelder ist nicht speziell für die Verhinderung von Diebstahl oder Brand bestimmt.
- 

#### Bewegungsmelder

Der Bewegungsmelder unterteilt den Bildschirm in 48 Bereiche und überwacht Veränderungen des Helligkeitspegels in den einzelnen Bereichen. Wenn eine Veränderung (Bewegung) erfasst wird, wird ein Alarmsignal ausgegeben. Wird im Auto-Modus eine Veränderung (Bewegung) im Bild erkannt, so wird ein Alarmsignal ausgegeben und die Kamera bleibt für die festgelegte Dauer in der Preset-Position stehen.

#### Demonstrationsmodus

Der Demonstrationsmodus unterteilt den Bildschirm in 48 Bereiche und überwacht Veränderungen des Helligkeitspegels in den einzelnen Bereichen. Außerdem werden solche Bilder maskiert, in denen eine die eingestellte Ansprechempfindlichkeit des Detektors überschreitende Veränderung des Helligkeitspegels festgestellt wird. Anhand der im Demonstrationsmodus erzielten Ergebnisse kann die optimale Ansprechempfindlichkeit (Schritt 2) sowie die Bildschirmbereiche, die maskiert werden müssen (Schritt 4), bestimmt werden.

#### MODE2 des Bewegungsmelders

Die Kamera erkennt in folgenden Fällen einen Szenenwechsel.  
 Wenn das Objektiv vollständig besprüht oder mit einem Tuch, Deckel o.ä. abgedeckt wird  
 Wenn die Kamerarichtung plötzlich verändert wird

---

#### Wichtig:

- In folgenden Fällen erkennt die Kamera keinen Szenenwechsel.
    - Wenn das Objektiv mit einem gemusterten Tuch abgedeckt wird und dieses im Wind flattert
    - Wenn einige Abschnitte des Bildes nicht verschleiert sind
    - Wenn die Kamerarichtung verändert wird, aber die Aufnahmeszenen ähnlich sind
  - Die Kamera erkennt in folgenden Fällen fälschlich einen Szenenwechsel.
    - Wenn die Helligkeit aus offensichtlichen Gründen wechselt (z.B. Ein-/Ausschalten von Lampen)
    - Bei ständig in Bewegung befindlichen Objekten wie der Straßenverkehr
-



## 9. Einstellen der digitalen Rauschunterdrückung (DNR)

Einen für den Standort der Kamera geeigneten "DNR"-Modus wählen. Die werksseitige Vorgabeeinstellung ist "HOCH".

**HOCH:** Rauschen wird erheblich reduziert, aber bei bewegten Objekten kann es zu Nachzieheffekt kommen.

**NIEDRIG:** Rauschen wird geringfügig reduziert, aber es tritt weniger Nachzieheffekt auf.

## 10. Einstellen der Auflösung (AUFLÖSUNG)

Die horizontale Auflösung wählen. Die werksseitige Vorgabeeinstellung ist "HOCH".

**NORMAL:** Erzielt eine Auflösung von mehr als 480 Fernsehzeilen.

**HOCH:** Erzielt eine typische Auflösung von 540 Fernsehzeilen, kann aber zu erhöhtem Rauschen führen, wenn bei schwacher Beleuchtung "SENS UP" aktiviert ist.

## 11. Einstellen des Schwarzweißmodus (S/W MODUS)

1. Im "KAMERA SETUP"-Menü "S/W MODUS" wählen und die [SET]-Taste drücken.  
→ Das "S/W MODUS"-Menü wird angezeigt.

2. Für "BW" einen Modus wählen. Die werksseitige Vorgabeeinstellung ist "AUS".  
→ Bei Wahl von "AUTO1" oder "AUTO2" werden die Posten "PEGEL" und "ZEITDAUER" angezeigt.

**AUTO1:** Schaltet auf Schwarzweißmodus, wenn das Bild dunkel ist, und auf Farbmodus, wenn das Bild ausreichende Helligkeit aufweist.

**AUTO2:** Funktioniert wie "AUTO1", ist jedoch für Anwendungen im Nahinfrarotbereich bestimmt. (Wellenlänge  $\geq 800$  nm).

**EIN:** Schaltet auf Schwarzweiß-Modus.

**AUS:** Schaltet auf Farbmodus.

---

### Hinweise:

- "AUTO1" bzw. "AUTO2" funktioniert u.U. nicht einwandfrei, wenn die Kamera auf ständig bewegte Objekte oder vorwiegend einfarbige Szenen wie ein blauer Himmel gerichtet ist.
- Der Back-Focus-Modus kann zur Korrektur der oft bei der automatischen Umschaltung der Kamera zwischen Farbe und Schwarzweiß auftretenden Defokussieren verwendet werden. Zu Einzelheiten siehe S. 67, Rückflanscheinstellung.

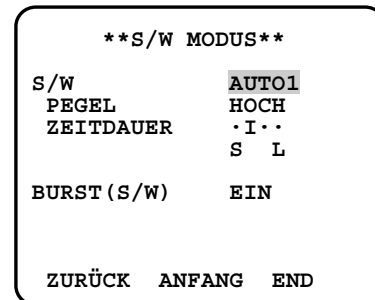
3. Einen "PEGEL"-Schwellenwert für die Umschaltung zwischen Farb- und Schwarzweißmodus wählen. Die werksseitige Vorgabeeinstellung ist "HOCH".

**HOCH:** Schaltet den Modus bei einer Beleuchtungsstärke von ca. 5 lx um.

**NIEDRIG:** Schaltet den Modus bei einer Beleuchtungsstärke von ca. 1 lx um.

4. Eine Zeitspanne für die Modus-Umschaltentscheidung wählen. Die werksseitige Vorgabe ist 30 Sekunden.

**Einstellzeiten:** (Kurz) 10 s  $\leftrightarrow$  30 s  $\leftrightarrow$  60 s  $\leftrightarrow$  300 s (Lang)



5. Einen Modus für das Farbträger-Synchronsignal wählen. Die werksseitige Vorgabe ist "EIN".

**EIN:** Liefert das Farbträger-Synchronsignal zusammen mit dem FBAS-Signal.

**AUS:** Liefert kein Farbträger-Synchronsignal.

---

### Hinweis:

- Die Einstellung auf "EIN" wird gewöhnlich empfohlen. Sowohl mit "EIN" als auch mit "AUS" experimentieren, um die Einstellung an angeschlossene Geräte (Rekorder, Monitorgeräte usw.) mit eventuell unterschiedlichen Merkmalen anzupassen.

## 12. Einstellen von Privatzonen (PRIVATZONE)

Bis zu acht Privatzonen einstellen, die in der Bildschirmanzeige verschleiert werden sollen.

1. Auf Seite 2 des "KAMERA SETUP"-Menüs "PRIVATZONE" auf "EIN(1)", "EIN(2)" oder "AUS" setzen und die [SET]-Taste drücken. Die werksseitige Vorgabeeinstellung ist "AUS".

**EIN (1):** Verschleiert die Zone grau.

**EIN (2):** Verschleiert die Zone mit einem Mosaikmuster.

**AUS:** Normale Bildanzeige.

→ Das "ZONENNUMMER"-Wahlmenü wird angezeigt.

2. Mit den [RIGHT] und [LEFT]-Tasten in der obersten Zeile eine Zonennummer wählen und die [SET]-Taste drücken. Eine Zonennummer gefolgt von einem Asterisk (\*) zeigt an, dass die Zone bereits registriert wurde.  
→ "POSITION", "SKALA" und ein Rahmen erscheinen im Menü.

3. "POSITION" auf "→DRÜCKEN" setzen und die [SET]-Taste drücken.  
→ Die Position kann gewählt werden.

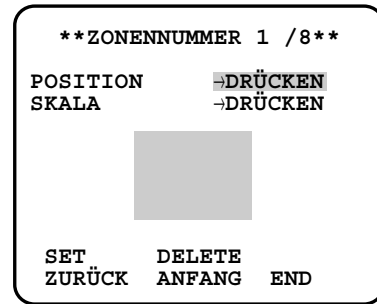
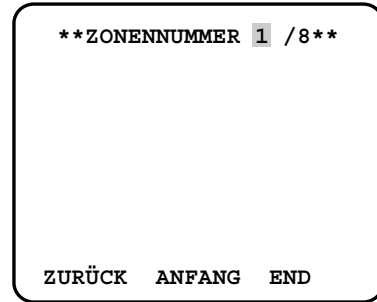
4. Den zu verschleiernden Teil des Bildes mit den Tasten [RIGHT], [LEFT], [UP] oder [DOWN] mittig im Rahmen anordnen.

5. "SKALA" auf "→DRÜCKEN" setzen und die [SET]-Taste drücken.  
→ Der Zonenmaßstab kann eingestellt werden.

6. Den Zonenmaßstab mit den Tasten [RIGHT], [LEFT], [UP] oder [DOWN] einstellen.

7. Um die Einstellungen gültig zu machen, den Cursor auf "SET" bewegen und die [SET]-Taste drücken.  
→ Die Anzeige schaltet zum "ZONENNUMMER"-Wahlmenü zurück.

Die Einstellungen können gelöscht werden, indem "DELETE" gewählt und die [SET]-Taste gedrückt wird.



## 13. Elektronisches Zoomen (EL ZOOM)

1. Den Cursor auf "EL ZOOM" bewegen.

2. Mit den [RIGHT] und [LEFT]-Tasten "EIN" oder "AUS" wählen. Die werksseitige Vorgabeeinstellung ist "AUS".

**EIN:** Das elektronische x2 Zoomen steht mit dem ZOOM-Schalter am Bediengerät zur Verfügung.

**AUS:** Das elektronische Zoomen ist deaktiviert.

3. Den Cursor auf "EL ZOOM" bewegen und die [SET]-Taste drücken. Das "EL ZOOM"-Menü wird angezeigt.

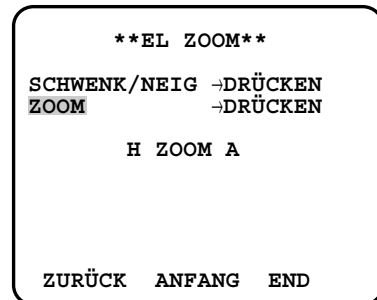
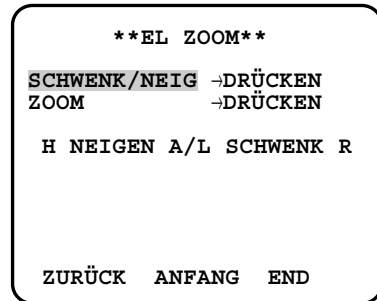
4. Um das "ZOOM"-Einstellmenü anzuzeigen, den Cursor auf "→DRÜCKEN" neben "ZOOM" bewegen und die [SET]-Taste drücken.

5. Mit [UP] oder [DOWN] kann das Bild vergrößert bzw. verkleinert werden.

6. Den Cursor auf "→DRÜCKEN" neben "SCHWENK/NEIG" bewegen und die [SET]-Taste drücken. Das "SCHWENK/ NEIG"-Einstellmenü erscheint.

7. Mit den Tasten [RIGHT], [LEFT], [UP] oder [DOWN] den Betrachtungswinkel verändern.

8. Durch Drücken der [SET]-Taste kann zum "EL ZOOM"-Menü zurückgeschaltet werden.



## 14. Automatischer Bildstabilisator (STABILIZER)

Hierbei handelt es sich um eine elektronische Funktion, die ein Verwackeln des Kamerabildes bei Bewegungen des Montagemasts oder der Montagehalterung korrigiert. Die werksseitige Vorgabeeinstellung ist "AUS".

**EIN:** Verwackeln wird automatisch korrigiert.

**AUS:** Bildstabilisator deaktiviert.

---

### Wichtig:

- In Stellung "EIN" wird eine bestimmte Anzahl Pixel am CCD-Rand zur Verwackelkorrektur herangezogen. Dies kann zu einem geringfügigen Absinken der Auflösung und einem etwas schmaleren Betrachtungswinkel führen. Den Betrachtungswinkel nach dem Aktivieren der Verwackelkorrektur nochmals überprüfen.
  - Bei sehr starker Bewegung der Kamera oder schlecht ausgeleuchteten, kontrastarmen Objekten kann es vorkommen, dass die Verwackelkorrektur nicht einwandfrei funktioniert.
- 

## 15. Einstellung der LED (LED)

Durch Wahl von "EIN" oder "AUS" die seitlich am Gerät vorhandene LED-Anzeigelampe aktivieren bzw. deaktivieren. Die Vorgabeeinstellung ist "EIN".

**EIN:** Die LED-Anzeigelampe blinkt, wenn der Bewegungsmelder (☞ Seite 63) eine Veränderung im Bild erkennt. In allen anderen Fällen leuchtet die Anzeige mit Dauerlicht.

**AUS:** Die LED-Anzeigelampe bleibt aus.

## 16. Rückflanscheinstellung (BACK-FOCUS SETUP)

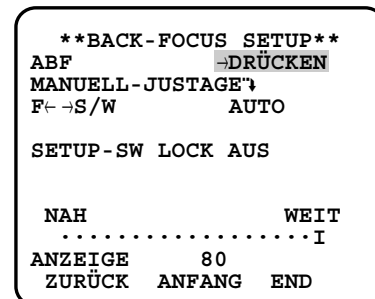
Die Einstellung des Auflagemaßes (Auflagemaß: Abstand der letzten Linse eines Objektivs zur Abbildungsebene einer Kamera) in diesem Menü über ein Bediengerät vornehmen. Nach der Installation kann diese Einstellung erforderlich werden, wenn sich der Fokus nach langzeitigem Gebrauch der Kamera, aufgrund von Umweltveränderungen usw. verschoben hat.

---

### Wichtig:

- Die ABF-Funktion nicht ständig oder wiederholt verwenden (wie z.B. Auto-Fokus). Diese Funktion ist für die Fokuskorrektur nach der Umschaltung zwischen Farbe und Schwarzweiß bei/nach der Installation der Kamera bestimmt.
- 

1. Im Hauptmenü "BACK-FOCUS SETUP" wählen und die [SET]-Taste drücken.  
→ Das "BACK-FOCUS SETUP"-Menü wird angezeigt.
2. "ABF" wählen und die [SET]-Taste drücken.  
→ Die Einstellung erfolgt automatisch.



---

### Hinweise:

- Durch Aktivierung von ABF erhält man den optimalen Fokus im mittleren Bereich einer Szene.
  - Die ABF-Funktion steht nur dann zur Verfügung, wenn "SENS UP" auf "AUS", "X2 AUTO" oder "X2 FEST" steht.
  - Die Anwendung von ABF bei schwacher Beleuchtung kann zu Rauschen führen.
- 

3. Zur manuellen Einstellung "MANUELL-JUSTAGE" wählen und die [SET]-Taste drücken.  
Der Bildschirm für manuelle Einstellung des Auflagemaßes wird angezeigt.
  - Den "I"-Cursor mit der [RIGHT]- oder [LEFT]-Taste verschieben, um den Fokus einzustellen.  
→ Siehe die 4stellige Zahl in der zweiten Zeile von unten. Je größer die Zahl, um so schärfer wird der Fokus.
  - "ZURÜCK" wählen und die [SET]-Taste drücken, um auf das Menü zurückzuschalten.
4. Einen Modus für "F ↔ S/W" wählen. Die werksseitige Vorgabeeinstellung ist "AUTO".

**AUTO:** Das Auflagemaß wird bei jeder Umschaltung der Kamera zwischen Farb- und Schwarzweißmodus automatisch eingestellt. "AUTO" steht nur dann zur Verfügung, wenn "SENS UP" auf "AUS", "X2 AUTO" oder "X2 FEST" steht.

**PRESET:** Das Auflagemaß wird entsprechend den in Schritt 2 (automatisch) bzw. Schritt 3 (manuell) für Farb- und Schwarzweißmodus getroffenen Einstellungen eingestellt.

**FEST:** Verriegelt das eingestellte Auflagemaß.

5. "SETUP-SW LOCK" auf "EIN" oder "AUS" setzen. Die werksseitige Vorgabeeinstellung ist "AUS".

**AUS:** Der Bildschirm für manuelle Einstellung des Auflagemaßes kann bei angezeigtem Kamerabild mit der [SET]-Taste geöffnet werden.

**EIN:** Der Bildschirm für manuelle Einstellung des Auflagemaßes kann nicht mit der [SET]-Taste geöffnet werden.

6. Das Auflagemaß kann durch gleichzeitiges Drücken der [RIGHT] und [LEFT]-Tasten auf die Vorgabe zurückgesetzt werden.

**Wichtig:**

- "FEST" oder "PRESET" wählen und das Auflagemaß manuell einstellen, wenn die automatische Einstellung durch einen der folgenden Zustände erschwert wird.
  1. An der Fensterscheibe anhaftender Schmutz oder Wasser  
Dadurch wird das Fokussieren auf das jenseits der Fensterscheibe liegende Objekt gestört.
  2. Schwach beleuchtete Objekte
  3. Extrem helle Objekte
  4. Kontrastarme Objekte wie eine weiße Wand oder feiner Filz
  5. Im Randgebiet der Szene liegende Objekte
  6. Mehrere Objekte, die eine bestimmte Tiefe aufweisen
  7. Objekt, das eine bestimmte Tiefe aufweist
  8. Ständig in Bewegung befindliche Objekte wie der Straßenverkehr
  9. Stark flimmernde Objekte
  10. Aus waagerechten Parallelen bestehende Objekte, z.B. Jalousien
- Panasonic Corporation ist nicht haftbar für Ungelegenheiten, Verluste oder Schäden, die sich aus der falschen Einstellung der ABF-Funktion ergeben oder dieser zuzuschreiben sind.

## 17. Spezialmenü (SPEZIAL SETUP)

Im Hauptmenü "SPEZIAL" wählen und die [SET]-Taste drücken.  
→ Das "SPEZIAL SETUP"-Menü wird angezeigt.

### 17-1. Einstellen des Chromapegels (FARBSÄTTIGUNG)

Den Chromapegel durch Bewegen des "I"-Cursors einstellen.

### 17-2. Einstellen des Blendenpegels (APER- TURE)

Den Blendenpegel durch Bewegen des "I"-Cursors einstellen.

Den Pegel senken, wenn Moireeffekt (eine Art Rauschen oder optische Interferenz) in Form einer feinen Kreuzschraffur usw. auftritt.

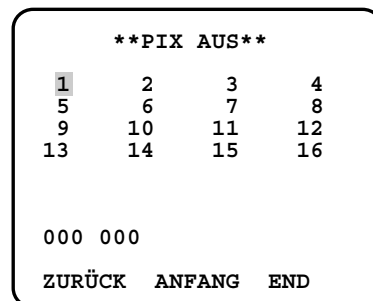
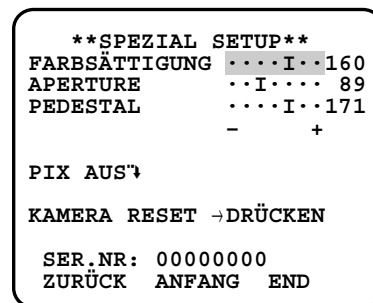
### 17-3. Einstellen des Schwarzwertimpulspegels (PEDESTAL)

Den Schwarzwertimpulspegel durch Bewegen des "I"-Cursors einstellen.

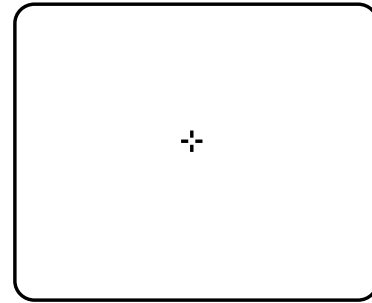
### 17-4. Einstellen der Pixelkompensation (PIX AUS)

Durch entsprechende Einstellung können bis zu 16 Fehlerpixel auf dem Bildaufnahmeelement korrigiert werden.

1. "PIX AUS" wählen und die [SET]-Taste drücken.  
→ Das "PIX AUS"-Menü mit Nummern von 1 bis 16 erscheint.
2. Eine Nummer wählen und die [SET]-Taste drücken.  
→ Der "PIX AUS"-Zuweisungsbildschirm mit + Cursor erscheint.



3. Den Cursor in die Mitte einer Fehlerstelle bewegen, bis diese weniger auffällt. Abschließend die [SET]-Taste drücken.
  - Die horizontale und vertikale Lage (Koordinaten) der Fehlerstelle wird als 6stellige Zahl in der zweiten Zeile von unten angezeigt.
  - Die Geometrie der Fehlerstelle wird für die Korrektur registriert.
  - Der Bildschirm schaltet auf das "PIX AUS"-Menü zurück, auf dem die Zahl nach erfolgter Registrierung mit \* gekennzeichnet ist.



4. Obige Schritte nach Bedarf wiederholen.
5. Um eine registrierte Fehlerstelle zu löschen, im "PIX AUS"-Menü eine mit \* gekennzeichnete Nummer wählen und die [SET]-Taste drücken.
  - Der "PIX AUS"-Zuweisungsbildschirm erscheint.
  - Die [RIGHT] und [LEFT]-Tasten gleichzeitig mindestens 2 Sek. gedrückt halten.
  - Das "PIX AUS"-Menü erscheint und die Zahl, deren Registrierung gelöscht wurde, wird nun ohne \* angezeigt.

### **17-5. Zurücksetzen auf die Vorgaben (KAMERA RESET)**

1. "KAMERA RESET" wählen.
  - "→DRÜCKEN" wird hervorgehoben.
2. Die Tasten [RIGHT] und [LEFT] gedrückt halten, und dabei die [SET]-Taste mindestens 2 Sekunden lang betätigen.
  - Die Kamera wird auf die werksseitigen Vorgaben zurückgesetzt.

---

**Hinweis:**

- Die "PIX AUS" Einstellung kann nicht initialisiert werden.
- 

### **17-6. Die Fabriknummer der Kamera wird angezeigt. (SER. NR.)**

# Fehlersuche

Bitte überprüfen Sie das Gerät auf folgende Symptome, bevor Sie Reparaturen anfordern. Falls sich ein Problem durch die hier vorgeschlagenen Kontrollen und Abhilfen nicht beheben lässt oder hier nicht behandelt sein sollte, wenden Sie sich bitte an Ihren Fachhändler.

Symptom	Ursache/Abhilfe	Seitenverweis
<b>Keine Bildgabe</b>	<ul style="list-style-type: none"> <li>Sind Netzkabel und Koaxialkabel korrekt angeschlossen? → Den Anschluss auf Richtigkeit überprüfen.</li> </ul>	50
	<ul style="list-style-type: none"> <li>Sind Helligkeit und Kontrast des Monitors korrekt eingestellt? → Die Monitoreinstellungen auf Richtigkeit überprüfen.</li> </ul>	–
<b>Unschärfes Bild</b>	<ul style="list-style-type: none"> <li>Ist das Objektiv der Kamera verschmutzt oder verstaubt? → Sicherstellen, dass das Objektiv der Kamera sauber ist.</li> </ul>	–
	<ul style="list-style-type: none"> <li>Ist der Fokus korrekt eingestellt? → Die Scharfstellung des Objektivs überprüfen.</li> </ul>	52
<b>Netzkabelmantel beschädigt</b>	<ul style="list-style-type: none"> <li>Das Netzkabel ist beschädigt. Die Verwendung eines beschädigten Kabels kann zu elektrischem Schlag oder Brand führen. Sofort die Stromversorgung ausschalten und vom Fachhändler reparieren lassen.</li> </ul>	–
<b>Teile des Netzkabels erhitzen sich.</b>		
<b>Das Netzkabel erhitzt sich aufgrund von Biegung oder Zugbeanspruchung, oder die Verbindung ist locker.</b>		
<b>LED-Anzeige leuchtet nicht</b>	<ul style="list-style-type: none"> <li>Wird der Kamera Strom zugeführt? → Prüfen, ob die Kamera mit Strom versorgt wird.</li> </ul>	–
	<ul style="list-style-type: none"> <li>Ist die LED-Anzeige auf "AUS" eingestellt? → Prüfen, ob die LED-Anzeige auf "AUS" steht.</li> </ul>	67

# Technische Daten

## ● CCTV-Farbkameras

Stromversorgung und Leistungsaufnahme:	WV-CW384: 24 V Wechselstrom, 50 Hz, 18 W, 12 V Gleichstrom, 560 mA WV-CW380: 220 V bis 240 V Wechselstrom, 50 Hz, 14 W
Bildaufnahmeelement:	1/3-Zoll Zwischenzeilen-CCD-Bildaufnahmeelement
Effektive Pixelzahl:	752 (H) x 582 (V)
Abtastbereich:	4,8 mm (H) x 3,6 mm (V)
Abtastsystem:	2:1 Zeilensprung
Abtastfrequenz:	Horizontal: 15,625 kHz, vertikal: 50,00 Hz
Synchronisation:	Multiplexierte Vertikalansteuerung (VD2), Zeilensynchronisation (NETZSYNC), interne Synchronisation (INTERN)
Auflösung:	Horizontal: 570 Fernsehzeilen (Schwarzweißmodus), typisch 540 Fernsehzeilen, mindestens 520 Fernsehzeilen (Farbmodus, Auflösung: HOCH) Vertikal: 400 Fernsehzeilen (Mitte)
Mindestbeleuchtungsstärke:	Farbmodus: 0,65 Lux (Empfindlichkeitsanhebung AUS, AGC HOCH: F1,6, WIDE) 0,065 Lux (Empfindlichkeitsanhebung 10x, AGC HOCH: F1,6, WIDE)* Schwarzweißmodus: 0,09 Lux (Empfindlichkeitsanhebung AUS, AGC HOCH: F1,6, WIDE) 0,009 Lux (Empfindlichkeitsanhebung 10x, AGC HOCH: F1,6, WIDE)* * Umgerechneter Wert
Rauschabstand:	54 dB (AGC Aus)
Dynamikbereich:	Typisch 54 dB
Videoausgang:	PAL FBAS-Signal 1,0 V[P-P]/75 Ω, BNC-Steckverbinder
Monitorausgang:	PAL FBAS-Signal 1,0 V[P-P]/75 Ω, ø3,5 mm Minibuchse (mono)
Funktionen	
Kameraname:	Bis zu 16 Zeichen (alphanumerische Zeichen, Symbole)
Lichtregelung:	ALC
Superdynamik 3:	EIN/AUS
Elektronische Verschlusszeit:	AUS (1/50), 1/20, 1/50, 1/60, 1/120, 1/250, 1/500, 1/1.000, 1/2.000, 1/4.000, 1/10.000
Verstärkungsregelung:	EIN (NEDRIG)/EIN (MITTEL)/EIN (HOCH)/AUS
Empfindlichkeitsanhebung:	AUS, X2 AUTO, X4 AUTO, X6 AUTO, X10 AUTO, X2 FEST, X4 FEST, X6 FEST, X10 FEST, X16 FEST, X32 FEST
Synchronisation:	VD2/NETZSYNC/INTERN
Weißabgleich:	ATW1/ATW2/AWC
Video-Bewegungsdetektor:	MODE1/MODE2/AUS
Digitale Rauschunterdrückung:	HOCH/NEDRIG
Auflösung:	NORMAL/HOCH
Farbe/Schwarzweiß:	AUTO1/AUTO2/EIN/AUS
Privatzone:	EIN(1)/EIN(2)/AUS
Elektronischer Zoom:	EIN*/AUS (* Bis 2x)
Bildstabilisator:	EIN/AUS
LED-Anzeige:	EIN/AUS
Einstellung des Auflagemaßes:	ABF (AUTO/PRESET/FEST), "MANUELL-JUSTAGE
Spezialfunktionen:	FARBSÄTTIGUNG, PEGEL, ZEITDAUER, PIX AUS
Sprache:	ENGLISH, FRANÇAIS, ESPAÑOL, DEUTSCH, ITALIANO, РУССКИЙ, CHINESE, oder JAPANESE
Umgebungstemperatur:	-30 °C bis +50 °C* * Bei 12 V Gleichstrom -10 °C bis +50 °C
Luftfeuchtigkeit:	90 % oder weniger (nicht betauend)
Wasserfestigkeit:	Kamera: IEC60529 (IP66, geschützt gegen eindringendes Wassere in schädlichem Maße sowie gegen starkes Strahlwasser) * Nur unter der Voraussetzung, dass die Installation wasserdicht ausgeführt wird.
Abmessungen:	82 (B) mm x 78 (H) mm x 301 (T) mm
Gewicht:	1,5 kg
Ausführung:	Objektivabdeckung: Aluminium-Druckguss mit silberfarbener Metallbeschichtung Gehäuse: AES-Harz mit silberfarbener Metallbeschichtung
● <b>Objektiv</b>	
Brennweite:	f=5 mm - 40 mm (8x Vario-Objektiv)
Blendenzahl:	F1,6 (WIDE) - F1,9 (TELE)
Entfernungsbereich:	∞ - 1,2 m
Betrachtungswinkel	Horizontal: 6,6° (TELE) - 52,0° (WIDE) Vertikal: 5,0° (TELE) - 39,6° (WIDE)

### ● Kamera-Einbauplatte

Einstellwinkel:	Schwenkbereich: $\pm 100^\circ$ Neigungsbereich: $+30^\circ$ , $-90^\circ$
Abmessungen:	125 (B) mm x 125 (H) mm x 143 (T) mm
Gewicht:	240 g
Ausführung:	Aluminium-Druckguss mit silberfarbener Metallbeschichtung

### ● Adapterdose

Abmessungen:	133 (B) mm x 133 (H) mm x 50 (T) mm
Gewicht:	510 g
Ausführung:	Aluminium-Druckguss mit silberfarbener Metallbeschichtung

Gewichte und Abmessungen verstehen sich als Näherungswerte.

## Standardzubehör

Bedienungsanleitung (vorliegendes Buch).....	1 St.
Folgende Teile werden bei der Installation benötigt.	
Kamera-Einbauplatte.....	1 St.
Einbauplattenabdeckung.....	2 St.
Sonnenblende.....	1 St.
Stativfassung.....	1 St.
Adapterdose.....	1 St.
Befestigungsschrauben (M4 x 8) für Kamera.....	4 St.
(1 Reserve)	
Befestigungsschrauben (M3 x 6) für Einbauplattenabdeckung.....	3 St.
(1 Reserve)	
Befestigungsschrauben (M4 x 35) für Adapterdose.....	1 St.
Befestigungsschrauben (M5 x 20) für Adapterdose/Kamera-Einbauplatte.....	5 St.
(1 Reserve)	
Befestigungsschrauben (M3 x 6) für Sonnenblende.....	5 St.
(1 Reserve)	
Befestigungsschrauben (M3 x 8) für Stativfassung.....	4 St.
Trockenmittel.....	1 St.
Abdichtband.....	1 St.



### **Benutzerinformationen zur Entsorgung von elektrischen und elektronischen Geräten (private Haushalte)**



Entsprechend der grundlegenden Firmengrundsätzen der Panasonic-Gruppe wurde ihr Produkt aus hochwertigen Materialien und Komponenten entwickelt und hergestellt, die recycelbar und wieder verwendbar sind.

Dieses Symbol auf Produkten und/oder begleitenden Dokumenten bedeutet, dass elektrische und elektronische Produkte am Ende ihrer Lebensdauer vom Hausmüll getrennt entsorgt werden müssen.

Bringen Sie bitte diese Produkte für die Behandlung, Rohstoffrückgewinnung und Recycling zu den eingerichteten kommunalen Sammelstellen bzw. Wertstoffsammelhöfen, die diese Geräte kostenlos entgegennehmen.

Die ordnungsgemäße Entsorgung dieses Produkts dient dem Umweltschutz und verhindert mögliche schädliche Auswirkungen auf Mensch und Umwelt, die sich aus einer unsachgemäßen Handhabung der Geräte am Ende Ihrer Lebensdauer ergeben könnten. Genauere Informationen zur nächstgelegenen Sammelstelle bzw. Recyclinghof erhalten Sie bei Ihrer Gemeindeverwaltung.

### **Für Geschäftskunden in der Europäischen Union**

Bitte treten Sie mit Ihrem Händler oder Lieferanten in Kontakt, wenn Sie elektrische und elektronische Geräte entsorgen möchten. Er hält weitere Informationen für sie bereit.

### **Informationen zur Entsorgung in Ländern außerhalb der Europäischen Union**

Dieses Symbol ist nur in der Europäischen Union gültig.

Bitte treten Sie mit Ihrer Gemeindeverwaltung oder Ihrem Händler in Kontakt, wenn Sie dieses Produkt entsorgen möchten, und fragen Sie nach einer Entsorgungsmöglichkeit.

# VERSION FRANÇAISE

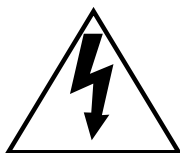
(FRENCH VERSION)

## AVERTISSEMENT:

- Cet appareil doit être mis à la terre.
- Tous les travaux d'installation de ce produit devraient être confiés à des techniciens et dépanneurs professionnels ou des installateurs de système.
- Les connexions doivent être conformes au code électrique local.

## ATTENTION:

Avant d'effectuer le branchement ou de mettre cet appareil en service, veuillez lire les instructions de l'étiquette collée dessous.



L'éclair à extrémité fléchée placé dans un triangle équilatéral est destiné à attirer l'attention de l'utilisateur sur la présence d'une "tension potentiellement dangereuse" et non isolée se trouvant dans les limites du coffret de l'appareil dont la puissance est suffisante pour constituer un risque important d'électrocution.



Le point d'exclamation placé dans un triangle équilatéral sert à attirer l'attention de l'utilisateur sur des instructions de fonctionnement et d'entretien (de dépannage) à caractère important dans la brochure qui accompagne l'appareil.

Couper l'alimentation au niveau du secteur de manière à couper l'alimentation générale de tous les appareils.

## ATTENTION:

Un commutateur général appelé All-POLE MAINS SWITCH avec une séparation de contact d'au moins 3 mm dans chaque pôle doit être incorporé dans l'installation électrique de l'immeuble.

Nous déclarons sous notre propre responsabilité que le produit auquel se réfère la présente déclaration est conforme aux normes spécifiées ou à tout autre document normatif conformément aux dispositions des directives 2006/95/CE et 2004/108/CE.

## POUR VOTRE SÉCURITÉ, VEUILLEZ LIRE ATTENTIVEMENT LE TEXTE QUI SUIT.

**AVERTISSEMENT: Cet appareil doit être relié à la terre.**

### IMPORTANT

Les fils de ce cordon d'alimentation secteur ont une gaine de couleur conformément au code suivant.

Vert et jaune:	Terre
Bleu:	Neutre
Marron:	Actif

Étant donné que la couleur des gaines de ce cordon d'alimentation secteur risque de ne pas correspondre aux indications de couleur identifiant les bornes placées dans la prise, veuillez procéder comme suit.

Le fil à gaine **verte et jaune** doit être raccordé à la borne placée dans la prise qui est identifiée par la lettre **E** ou par le symbole de mise à la terre  $\perp$  ou de couleur **verte** ou encore de couleur **verte et jaune**.

Le fil à gaine **bleu** doit être raccordé à la borne placée dans la prise qui est identifiée par la lettre **N** ou de couleur **noire**.

Le fil à gaine **marron** doit être raccordé à la borne placée dans la prise qui est identifiée par la lettre **L** ou de couleur **rouge**.

# TABLE DES MATIÈRES

Instructions de sécurité importantes .....	76
Limitation de responsabilité .....	77
Déni de la garantie .....	77
Préface .....	78
Caractéristiques dominantes .....	78
Mesures de précaution .....	78
Principaux organes de commande et fonctions .....	80
Précautions lors de l'installation .....	81
Installations/Connexions .....	82
■ Préparatifs .....	82
■ Installation de la caméra vidéo .....	82
À propos des menus de configuration .....	93
■ Utilisation de base .....	94
Procédures de réglage .....	95
Configuration de la langue (LANGUAGE SETUP) .....	95
1. Paramétrage d'identification de la caméra vidéo (CAMÉRA ID) .....	95
2. Paramétrage de mode de contrôle de lumière (ALC) .....	96
3. Réglage de la vitesse d'obturation (SHUTTER) .....	97
4. Paramétrage de contrôle de gain (CAG) .....	98
5. Accroissement de la sensibilité électronique (VISION NUIT) .....	98
6. Réglage de synchronisation (SYNC) .....	98
7. Réglage de balance des blancs (BAL BLC) .....	99
8. Paramétrage de la détection de mouvement (DÉTECT MVT) .....	99
9. Paramétrage de la réduction de bruit numérique (RÉDUCT BRUIT) .....	101
10. Paramétrage de résolution (RÉSOLUTION) .....	101
11. Paramétrage du mode monochromatique (MODE NB) .....	101
12. Paramétrage de zone de confidentialité (ZONE PRIVEE) .....	102
13. Zoom électronique (ZOOMLEC) .....	102
14. Stabilisateur d'image automatique (STABILISATEUR) .....	103
15. Paramétrage de diode électroluminescente (LED) .....	103
16. Paramétrage de tirage arrière (BACK-FOCUS AJUST) .....	103
17. Menu spécial (AJUST SPECIAL) .....	104
Dépannage .....	106
Caractéristiques techniques .....	107
Accessoires standard .....	108

# Instructions de sécurité importantes

- 1) Veiller à lire ces instructions.
- 2) Conserver ces instructions.
- 3) Tenir compte de tous les avertissements.
- 4) Se conformer à toutes les instructions.
- 5) Nettoyer uniquement avec un chiffon sec.
- 6) N'obturer aucune des ouvertures d'aération. Installer conformément aux instructions du fabricant.
- 7) Ne pas utiliser à proximité de sources de chaleur telles que des radiateurs, des bouches de chauffage, des appareils de chauffage ou tout autre appareil (y compris les amplificateurs) produisant de la chaleur.
- 8) Ne pas asservir l'objectif de sécurité de la prise polarisée ou de la prise de mise à la terre. Une prise polarisée possède deux lames dont l'une est plus large que l'autre. Une prise de mise à la terre possède deux lames ainsi qu'un troisième élément, un ergot de mise à la terre. La lame qui est large ou le troisième élément, l'ergot, sont installés pour assurer votre sécurité. Si la prise fournie ne s'engage pas correctement dans votre prise, veuillez consulter un électricien pour qu'il effectue le remplacement de l'ancienne prise de sortie secteur.
- 9) Protéger le cordon d'alimentation afin que personne ne puisse marcher dessus ni ne soit pincé, notamment près des prises, les prises pratiques et les points de sortie de l'appareil.
- 10) Utiliser uniquement les fixations ou les accessoires spécifiés par le fabricant.
- 11) Utiliser uniquement le chariot, le support, le trépied, la platine de fixation ou la tablette spécifiée par le fabricant ou vendu avec l'appareil. Quand un chariot est utilisé, prendre toutes les précautions nécessaires lors du déplacement de la combinaison chariot-appareil afin que le tout ne se renverse pas.



- 12) Débrancher cet appareil pendant les orages électriques ou s'il n'est pas utilisé sur de longues périodes de temps.

## Limitation de responsabilité

CETTE PUBLICATION EST FOURNIE "COMME TEL" SANS GARANTIE DE TOUTE SORTE, EXPRÈS OU IMPLICITE, ÉTANT INCLUSE MAIS NON LIMITÉE AUX GARANTIES IMPLICITES DE LA VALEUR MARCHANDE, ADAPTATION POUR TOUT BUT PARTICULIER OU NON-INFRACTION DES DROITS D'UN TIERS.

CETTE PUBLICATION A PU INCLURE DES INEXACTITUDES TECHNIQUES OU DES ERREURS TYPOGRAPHIQUES.

DES CHANGEMENTS SONT AJOUTÉS AUX INFORMATION CI-DESSUS, À TOUT MOMENT, AUX FINS D'AMÉLIORATION DE CETTE PUBLICATION ET/OU DU PRODUIT CORRESPONDANT(S).

## Déni de la garantie

EN AUCUN CAS Panasonic Corporation NE SERA TENU POUR RESPONSABLE POUR TOUTE PARTIE OU TOUTE PERSONNE, À L'EXCEPTION DU REMPLACEMENT OU D'UNE MAINTENANCE RAISONNABLE DE CE PRODUIT POUR LES CAS CITÉS, INCLUS MAIS NON LIMITÉS À CE QUI SUIT:

- (1) TOUT DÉGÂT ET PERTE, Y COMPRIS SANS LIMITATION, DIRECT OU INDIRECT, SPÉCIAL, IMPORTANT OU EXEMPLAIRE, SURVENANT OU CONCERNANT LE PRODUIT;
- (2) BLESSURE PERSONNELLE OU TOUT DÉGÂT CAUSÉS PAR UN USAGE NON APPROPRIÉ OU UNE UTILISATION NÉGLIGENTE DE L'UTILISATEUR;
- (3) DÉMONTAGE, RÉPARATION OU MODIFICATION NON AUTORISÉS DU PRODUIT EFFECTUÉS PAR L'UTILISATEUR;
- (4) INCOMMODITÉ OU TOUTE PERTE SURVENANT LORSQUE LES IMAGES NE SONT PAS AFFICHÉES DÙ À TOUTE RAISON OU CAUSE Y COMPRIS TOUTE PANNE OU PROBLÈME DU PRODUIT;

(5) TOUT PROBLÈME, INCOMMODITÉ IMPORTANTE OU PERTE OU ENDOMMAGEMENT, SURVENANT DU SYSTÈME COMBINÉ PAR LES APPAREILS DE TIERS;

(6) TOUTE RÉCLAMATION OU ACTION ENTREPRISE POUR DES DOMMAGES, SOUMISE PAR TOUTE PERSONNE OU ORGANISATION ÉTANT UN SUJET PHOTOGÈNE, DÙ À LA VIOLATION DE L'INTIMITÉ AVEC POUR RÉSULTAT DES IMAGES DE SURVEILLANCE DE CAMÉRA VIDÉO, Y COMPRIS DES DONNÉES SAUVEGARDÉES, POUR UNE RAISON QUELCONQUE, EST DIFFUSÉE PUBLIQUEMENT OU EST EMPLOYÉE POUR UN BUT AUTRE QUE CELA DE LA SURVEILLANCE.

# Préface

Les caméras vidéo Panasonic WV-CW384 et WV-CW380 introduisent un haut niveau technologique de qualité d'image en faisant usage d'un capteur d'image D.T.C. de 1/3e de pouce Super-Dynamic et de circuits à haute intégration de traitement des signaux numériques. Ces caméras vidéo ont été conçues pour être installées au plafond ou sur un mur en utilisant la platine de fixation de caméra vidéo fournie.

## Caractéristiques dominantes

### À propos de la fonction SUPER-D 3 (fonction Super Dynamic)

L'intégration de la fonction SUPER-D3 dans dispositif à transfert de charges CCD et du circuit de traitement des signaux a permis réalisé une chaîne dynamique approximativement 160 fois supérieure à celle des caméras vidéo conventionnelles. Par conséquent, un sujet photographique sur lequel il existe une grande différence d'éclairement se résulte par des zones lumineuses et sombres qui peuvent être naturellement affichées dans une image.

### Fonction de foyer arrière automatique (ABF) équipée

Le réglage de tirage arrière peut être exécuté à l'aide des boutons de commande de cet appareil et du menu de configuration.

Le tirage arrière peut être ajusté à distance à partir du contrôleur de système (en option) même après l'installation de cet appareil. La fonction de réglage automatique de foyer arrière permet aux utilisateurs de corriger l'écart de mise au point en changeant entre les images couleur et les images monochromatiques.

### Fonction de réduction de bruit favorisant une sensibilité élevée

L'introduction de la conception d'un circuit à faible bruit a permis d'atteindre une excellente sensibilité élevée ayant pour résultat un éclairement minimum de 0,65 lux en mode de couleur et de 0,09 lux en mode noir et blanc.

### Fonction d'activation d'image monochrome en nocturne équipée

Aucun changement du paramétrage n'est exigé de nuit parce que les images changent automatiquement du mode couleur au mode noir et blanc sous faible éclairement.

### Fonction de détecteur de mouvement équipée

Si toutefois un mouvement est observé sur le moniteur vidéo, la caméra vidéo est recouverte d'un chiffon, un capuchon ou autre ou bien l'orientation de la caméra vidéo a changé pendant le contrôle, un signal d'alarme se déclenche.

## Mesures de précaution

### Cet appareil ne possède aucun interrupteur d'alimentation.

L'alimentation est fournie à partir d'un dispositif d'alimentation externe de 12 V de courant continu ou de 24 V de courant alternatif (WV-CW384) ou de 220 V - 240 V de courant alternatif (WV-CW380). S'en référer au service technique de dépannage pour savoir comment appliquer ou couper l'alimentation.

### Pour avoir l'assurance d'obtenir des performances stables

- Certaines parties de cet appareil risquent une détérioration et ceci peut écourter la durée de service utile de l'appareil s'il est utilisé dans des emplacements à hautes températures et humidité élevée. Ne pas exposer directement l'appareil à la chaleur comme celle produite par un appareil de chauffage.

- Cet appareil doit être mis en service dans des limites de température comprises entre -30 °C - +50 °C\* et un taux d'humidité égal ou inférieur à 90 %.  
\* -10 °C - +50 °C sur 12 V de courant continu

### Ne jamais laisser tomber des objets métalliques dans les fentes d'aération.

En effet, ceci risque d'endommager définitivement ce produit. Couper immédiatement l'alimentation de la caméra vidéo et demander à un dépanneur professionnel de la vérifier.

### Ne jamais froter le bord des parties métalliques à mains nues.

Le fait de ne pas respecter cette précaution risque d'aboutir à des blessures.

### Ne jamais chercher à démonter ce produit.

Ne jamais retirer les vis de fixation ou les couvercles sous peine de s'exposer à une électrocution.

Aucun composant destiné à l'utilisation de l'utilisateur de l'appareil n'a été placé à l'intérieur.

Confier tous les réglages et les opérations de dépannage à un technicien professionnel.

### Manipuler cet appareil sans aucune brutalité.

Ne jamais manipuler brutalement cet appareil. Éviter de frapper, de secouer l'appareil, etc.

L'appareil risque d'être endommagée à la suite d'une manipulation brutale ou si elle est soumise à des conditions de rangement inappropriées.

### Nettoyage du boîtier du produit

Couper l'alimentation avant de nettoyer l'appareil. Se servir d'un morceau d'étoffe sèche pour nettoyer l'appareil. Ne jamais se servir de puissants produits abrasifs pour nettoyer le coffret de l'appareil. Si les saletés sont particulièrement tenaces, imbiber l'étoffe d'une solution détergente neutre et frotter délicatement. Retirer ce qui reste de produit détergent avec un morceau de tissu sec.

Sinon, cela risque de provoquer une décoloration. Quand un tissu traité chimiquement conçu pour faire un nettoyage est utilisé, lire attentivement les précautions indiquées qui accompagnent le tissu traité chimiquement.

### L'entretien de l'objectif doit être effectué avec le plus grand soin.

Ne jamais se servir de produits détergents ou abrasifs agressifs pour nettoyer l'objectif. Se servir de feuilles d'un papier spécial conçu pour l'entretien de la surface des objectifs photo ou d'un coton-tige imprégné d'éthanol pour faire le nettoyage.

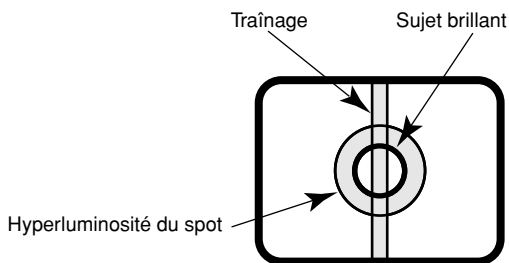
### Décoloration se produisant sur le filtre couleur de D.T.C

Lorsqu'une puissante source d'éclairage tel que des projecteurs est filmée, cela risque de détériorer le filtre couleur du dispositif à transfert de charges et de provoquer également une décoloration.

Même lorsque l'orientation fixe de la prise de vues est modifiée après avoir effectué une prise de vues en continu d'un projecteur d'éclairage pendant un certain moment, la décoloration risque de subsister.

### Ne pas diriger ce produit vers de puissantes sources d'éclairage.

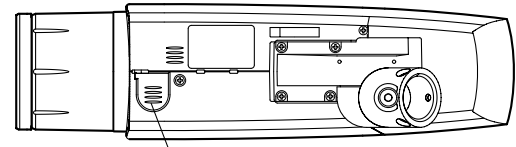
Une source d'éclairage telle que celle d'un projecteur d'éclairage risque de provoquer une hyperluminosité du spot (sorte de saturation de l'éclairage) voire une marbrure (lignes verticales).



### À propos de l'appareil déshumidificateur

- Cet appareil est muni d'un dispositif de déshumidification permettant de maintenir un niveau interne d'humidité bas, empêchant ainsi la formation d'une condensation et favorisant une élimination rapide de la buée quand celle-ci se forme.

- La buée risque de se former selon les conditions de température, d'humidité, le vent et la pluie tandis que cela peut prendre du temps pour assurer la déshumidification.
- Ne jamais rendre étanche les surfaces de l'appareil déshumidificateur.



Dispositif déshumidificateur

### Arrêter le disjoncteur associé à l'alimentation qui alimente ce produit lorsque des conditions anormales de l'alimentation de ce produit se présentent.

### Le produit ne doit pas être mis en service dans des conditions excédant ses limites définies en termes de température, d'humidité ou de puissance d'alimentation.

Cet appareil doit être mis en service dans des limites de température comprises entre  $-30\text{ °C}$  -  $+50\text{ °C}^*$  et un taux d'humidité égal ou inférieur à 90 %. La source d'alimentation électrique est de 12 V de courant continu ou de 24 V de courant alternatif (WV-CW384) ou de 220 V - 240 V de courant alternatif (WV-CW380).

\*  $-10\text{ °C}$  -  $+50\text{ °C}$  sur 12 V de courant continu

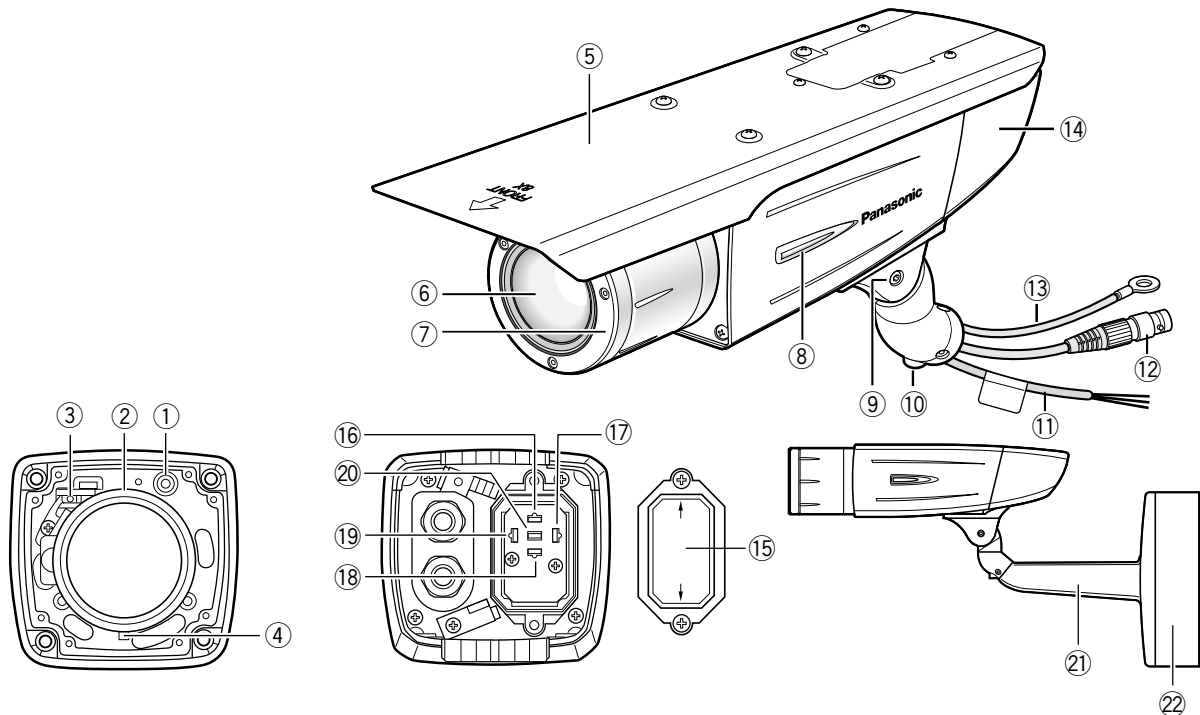
### Utilisation à de basses températures

- Pour faire fonctionner la caméra vidéo à des températures de  $-10\text{ °C}$  ou inférieures, il faudra 30 minutes ou plus après l'application de l'alimentation électrique pour réchauffer la caméra vidéo.
- Des images peuvent être perturbées parce que le chauffage incorporé est automatiquement basculé entre en marche et en arrêt à la suite d'un changement d'environnement d'utilisation.

### Que faire lorsque le message OVER HEAT apparaît sur l'écran du moniteur vidéo.

Ce message indique que l'intérieur de ce produit est extrêmement chaud. Arrêter immédiatement l'appareil et prendre contact avec votre distributeur.

# Principaux organes de commande et fonctions



- ① **Prise de sortie de moniteur vidéo (mini-prise ø3,5 mm (monaurale))**  
Se connecte à un moniteur vidéo aux fins réglage et pour ajuster l'angle de vue et la mise au point.
- ② **Bague de réglage de zoom**  
Ajuste la position du zoom. (☞ page 88)
- ③ **Bouton de réglage de foyer arrière automatique**  
Active le réglage de foyer arrière automatique
- ④ **Molette de blocage de mise au point**  
Cale le point focal. (☞ page 88)
- ⑤ **Visière pare-soleil (accessoire)**
- ⑥ **Verre frontal**
- ⑦ **Capuchon à objectif**  
Protège l'objectif. Le capuchon à objectif est retiré lors du réglage de l'objectif. Après avoir fait le réglage de l'objectif, les vis de fixation seront solidement serrées. (☞ page 87)
- ⑧ **Diode électroluminescente**  
S'allume, clignote ou s'éteint selon les paramétrages. (☞ page 103)
- ⑨ **Vis de blocage de réglage d'inclinaison**  
Cale la position d'inclinaison. (☞ page 87)
- ⑩ **Vis de blocage de réglage panoramique**  
Cale la position de balayage panoramique. (☞ page 87)

## ⑪ Cordon d'alimentation

### Précaution:

- Ce cordon fournit un courant d'alimentation de 12 V de courant continu ou de 24 V de courant alternatif (WV-CW384), ou de 220 V - 240 V de courant alternatif (WV-CW380) à partir d'une source d'alimentation extérieure.

## ⑫ Câble de sortie vidéo

## ⑬ Câble de sécurité

## ⑭ Couvercle arrière

## ⑮ Couvercle de commutateur

Ce couvercle est retiré au moment d'actionner les boutons de commande. Après avoir actionné un bouton, les vis de fixation seront solidement serrées. (☞ page 89)

## ⑯ - ⑳ Boutons de commande

### ⑯ Bouton de déplacement vers le haut (UP)

### ⑰ Bouton de déplacement vers la droite ((RIGHT)

### ⑱ Bouton de déplacement vers le bas (DOWN)

### ⑲ Bouton de déplacement vers la gauche (LEFT)

### ⑳ Bouton de validation (SET)

## ⑳ Platine de fixation de caméra vidéo (accessoire)

## ㉓ Boîtier d'adaptateur (accessoire)



# Précautions lors de l'installation

## Emplacement d'installation

Prendre contact avec votre distributeur pour obtenir une assistance dans le cas d'une incertitude quant au choix d'un emplacement approprié dans votre propre environnement.

S'assurer que la zone d'installation est suffisamment robuste pour supporter le poids de cet appareil comme dans le cas d'un plafond en béton. Lorsque la surface d'installation n'est pas suffisamment robuste pour supporter l'appareil, procéder au renfort nécessaire pour bénéficier d'une résistance supplémentaire.

## Éviter toute installation de ce produit dans les emplacements suivants.

- Emplacements où des agents chimiques sont utilisés comme dans le cas d'une piscine
  - Emplacements exposés à de la vapeur ou des émanations d'huile comme dans le cas d'une cuisine
  - Emplacements situés à proximité de gaz ou de vapeur inflammable
  - Emplacements où il existe des radiations ou une émission de rayons X
  - Emplacements exposés à un puissant champ magnétique ou de puissantes ondes radio
  - Emplacements où il existe des gaz corrosifs
  - Emplacements où l'équipement risque d'être endommagé par de l'air salin comme au bord de la mer
  - Emplacements où la température ne se trouve pas dans les limites de  $-30\text{ °C}$  -  $+50\text{ °C}$ .\*
- \*  $-10\text{ °C}$  -  $+50\text{ °C}$  sur 12 V de courant continu
- Emplacements soumis à des vibrations (Cet appareil n'a pas été conçu pour être utilisé dans un véhicule.)

## Ne pas oublier de retirer cet appareil lorsqu'il n'est pas utilisé.

## Balance des blancs

Le calage de la balance des blancs approprié risque de ne pas être obtenu dans les conditions suivantes:

- Quand un sujet est extrêmement moins blanc ou placé près d'une couleur unique
- Quand un sujet est à l'extérieur le matin ou en soirée ou dans des conditions de faible éclairage
- Quand un sujet est dans une atmosphère avec une température de couleur extrêmement différente (par exemple, sous un éclairage de couleur)

## Conserver le câble de sortie vidéo loin d'un câble d'éclairage.

Le fait de ne pas respecter cette précaution risque de produire des parasites.

## Interférence radio

Si le produit est placé à proximité d'un récepteur de télévision ou d'une antenne radio, près d'un puissant champ électrique ou d'un puissant champ magnétique (près d'un moteur ou d'un transformateur), les images risquent d'être déformées et des parasites de se produire dans le son. En pareil cas, faire courir le câble de caméra vidéo dans des tubes spécialisés.

## Vis d'installation

Seules les vis de fixation qui sont fournies sont conçues pour immobiliser cet appareil sur son la platine de fixation de caméra vidéo fournie. Il est nécessaire de se procurer des vis de fixation ou des boulons pour installer l'appareil. Se les procurer en fonction des matériaux et de la résistance de la surface appelée à accueillir l'appareil.

Les vis de fixation et les boulons d'installation doivent être serrés au couple de serrage approprié en fonction des matériaux et de la résistance de la surface appelée à accueillir la caméra vidéo. Une fois le serrage des vis de fixation ou des boulons terminé, procéder à un examen visuel afin de s'assurer que le serrage est suffisant et qu'il n'y a pas de jeu.

## Conduits de passage des câbles

Si ce produit est mis en service à l'extérieur, faire en sorte de monter des tubes de raccordement et de faire passer les câbles par les tubes pour protéger les câbles contre le gel ou toute exposition directe à la lumière du soleil.

# Installations/Connexions

## Précaution:

RACCORDER UNIQUEMENT À UNE SOURCE D'ALIMENTATION 24 V C.A. ou 12 V C.C. DE CLASSE 2. (WV-CW384)

## ■ Préparatifs

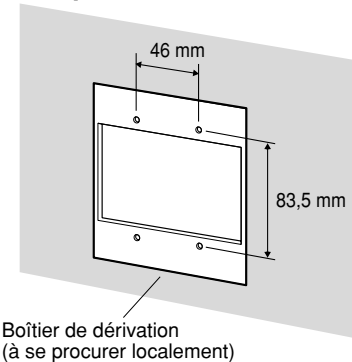
La caméra vidéo peut être installée de l'une des manières indiquées ci-dessous.

- Pour installer directement la caméra vidéo sur un mur
- Comment installer la caméra vidéo sur une boîte de raccordement

## Remarque:

- Les vis qui servent à fixer la platine de fixation de caméra vidéo sur un mur ne sont pas fournies. Se procurer les vis de fixation à utiliser en fonction des matériaux, de la structure et des autres facteurs de la surface d'installation et du poids total des accessoires d'installation.

[Position d'installation sur le mur]



## Important:

- Se procurer les vis de fixation en fonction des matériaux de la surface où la platine de fixation de caméra vidéo doit être installée. Dans le cas présent, ni des vis à bois ni des clous ne doivent être utilisés. Couple de serrage recommandé M4: 1,6 N·m
- La capacité de résistance à la traction de chaque vis de fixation ou chaque boulon est de 196 N ou davantage.
- Si toutefois le panneau au plafond est un panneau en plâtre donc un support trop fragile pour pouvoir supporter le poids total de la caméra vidéo, le secteur utilisé doit être suffisamment renforcé.
- Lorsque le boîtier adaptateur fourni est utilisé, s'assurer que les fentes d'écoulement ne sont pas dirigées vers le haut.

## ■ Installation de la caméra vidéo

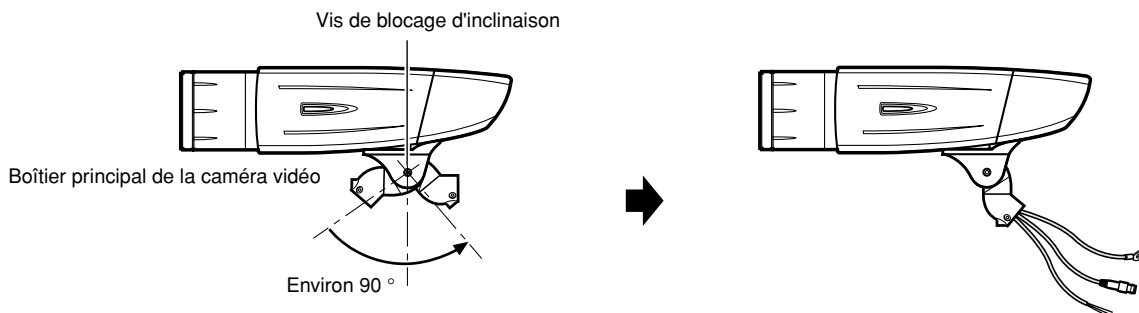
### 1 Fixer la caméra vidéo sur la platine de fixation de caméra vidéo

L'angle d'inclinaison est calé vers le bas à l'expédition.

1. Desserrer la vis de blocage d'inclinaison sur approximativement 1 rotation et régler l'angle d'inclinaison de la caméra vidéo en position horizontale.
2. Serrer la vis de blocage d'inclinaison à nouveau après avoir fait le réglage d'angle d'inclinaison.

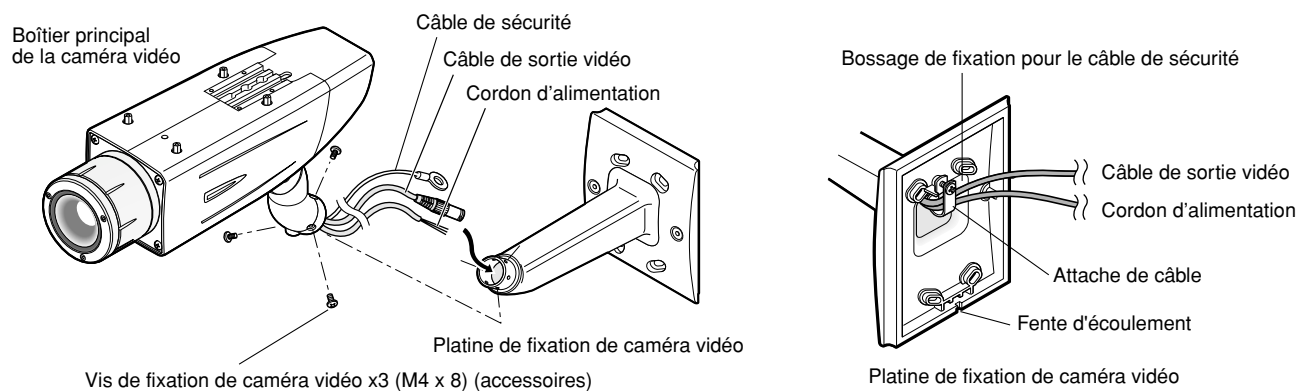
## Remarque:

- Utiliser une clef à six pans avec une largeur des méplats de 4 mm (à se procurer localement) pour desserrer ou serrer la vis de blocage d'inclinaison.



3. Faire passer le câble de sortie vidéo, le cordon d'alimentation et le câble de sécurité dans la platine de fixation de caméra vidéo à partir de la caméra vidéo vers le mur et utiliser le collier de serrage de câble pour attacher les câbles et le fil.

4. Installer solidement la caméra vidéo sur la platine de fixation de caméra vidéo en utilisant les 3 vis de fixation de caméra vidéo (en accessoires).



5. Retirer la vis du bossage de fixation pour le câble de sécurité de la platine de fixation de caméra vidéo et fixer le câble de sécurité avec la vis.

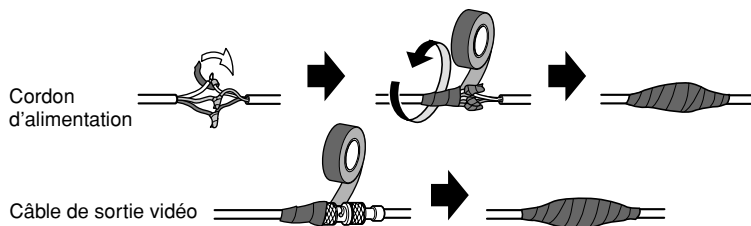
**Important:**

- Confirmer que le câble de sécurité est fermement fixé. Couple de serrage recommandé: 0,59 N·m

**Important:**

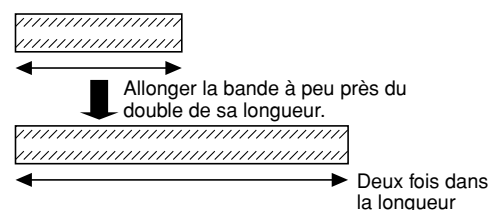
<Traitement imperméable à l'eau>

- Pour installer ce produit à l'extérieur, faire en sorte d'imperméabiliser les câbles. Le boîtier principal de la caméra vidéo est étanche, mais la platine de fixation d'installation et le boîtier d'adaptateur ne sont pas imperméable à l'eau.
- Pour installer ce produit à l'extérieur, employer du caoutchouc de silicium ou des éléments analogues imperméables à l'eau pour appliquer le traitement imperméable à l'eau à la platine de fixation de caméra vidéo, au boîtier d'adaptateur, à l'ouverture d'accès de câble, aux trous de vis et aux vis.
- Pour installer ce produit sur un mur, diriger la fente d'écoulement de la platine de fixation de caméra vidéo vers le bas. Ne jamais obturer la fente d'écoulement. Ne jamais non plus rendre étanche la fente d'écoulement.
- Faire en sorte d'utiliser de la bande isolante imperméable à l'eau fournie pour les pièces de raccordement du cordon d'alimentation et du câble de sortie vidéo pour appliquer le traitement imperméable à l'eau.



<Comment enrouler la bande imperméable à l'eau fournie>

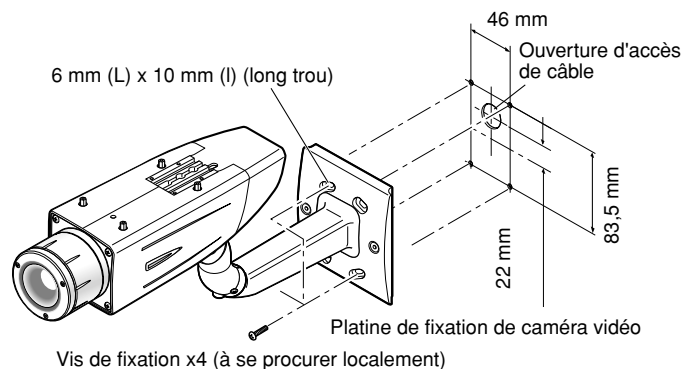
- Allonger la bande à peu près du double de sa longueur. (voir la figure ci-contre à droite) et enrouler la bande autour des câbles. Une extension insuffisante de la bande isolante peut cause une imperméabilisation insuffisante.
- Enrouler le câble avec la bande isolante selon une façon à moitié-superposante.



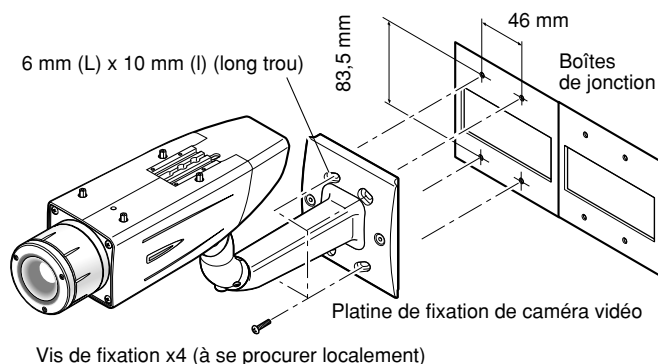
## 2 Fixer la platine de fixation de caméra vidéo

### • Quand la caméra vidéo est directement installée sur un mur

Utiliser 4 vis (procurées localement) pour fixer la platine de fixation de caméra vidéo sur un mur ou à une boîte de jonction (procurée localement).

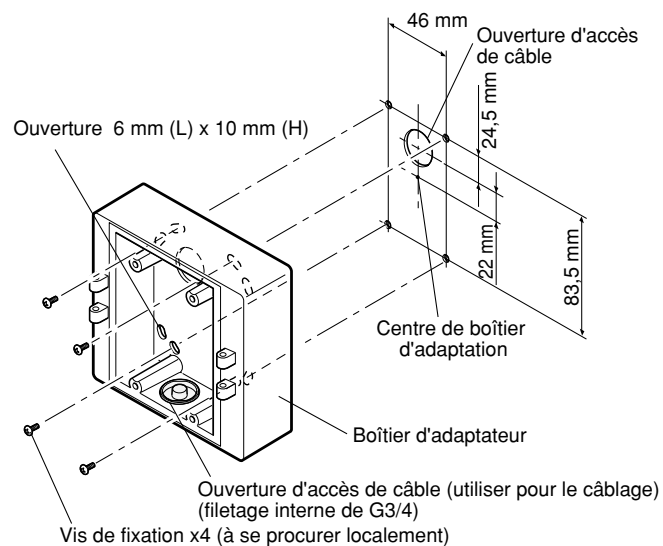


Si une boîte de jonction est utilisée, la mise en place des boîtiers côte à côte est recommandée suivant les indications de l'illustration à la droite. (pour effectuer facilement le passage de câble)

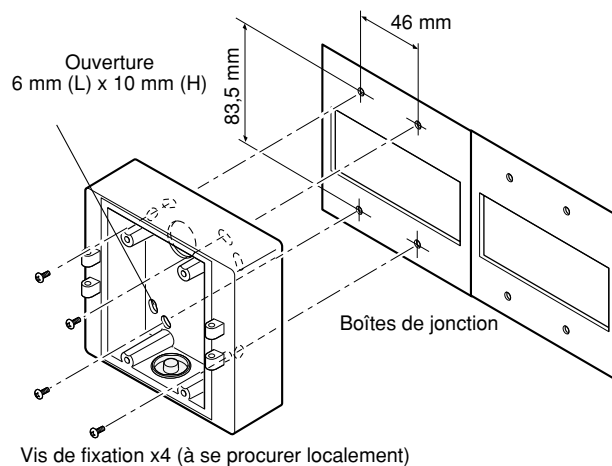


### • Quand la caméra vidéo est installée sur un mur en utilisant un boîtier d'adaptateur

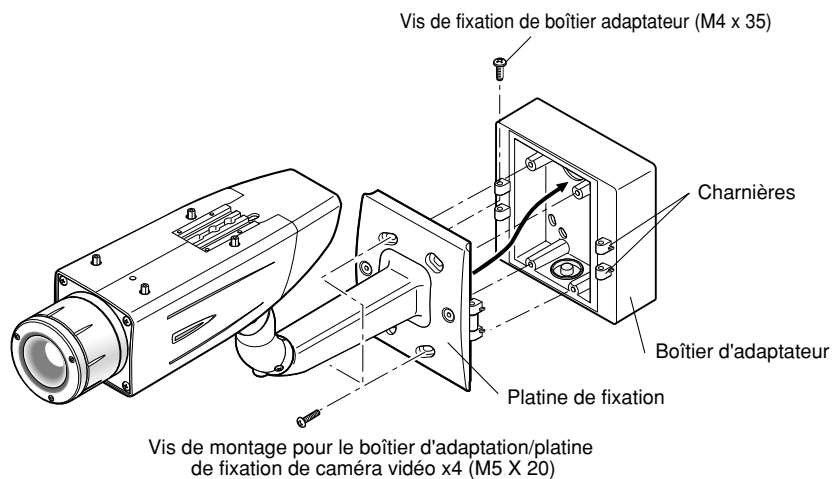
1. Utiliser 4 vis (procurées localement) pour fixer le boîtier d'adaptateur sur le mur ou à une boîte de jonction (procurée localement).



- Si une boîte de jonction est utilisée, la mise en place des boîtiers côte à côte est recommandée suivant les indications de l'illustration à la droite. (pour effectuer facilement le passage de câble)

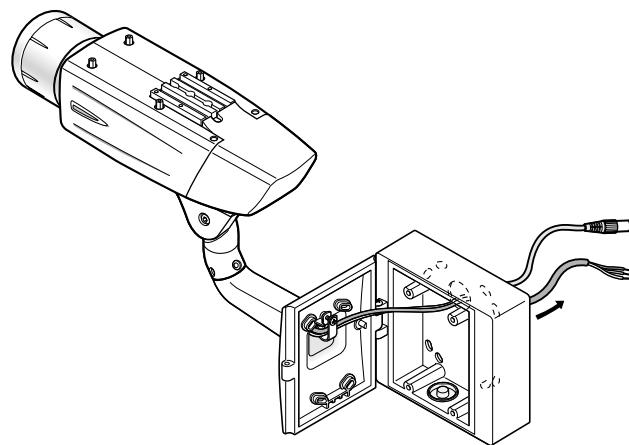


2. Fixer la platine de fixation de caméra vidéo aux charnières gauches ou droites du boîtier d'adaptation.

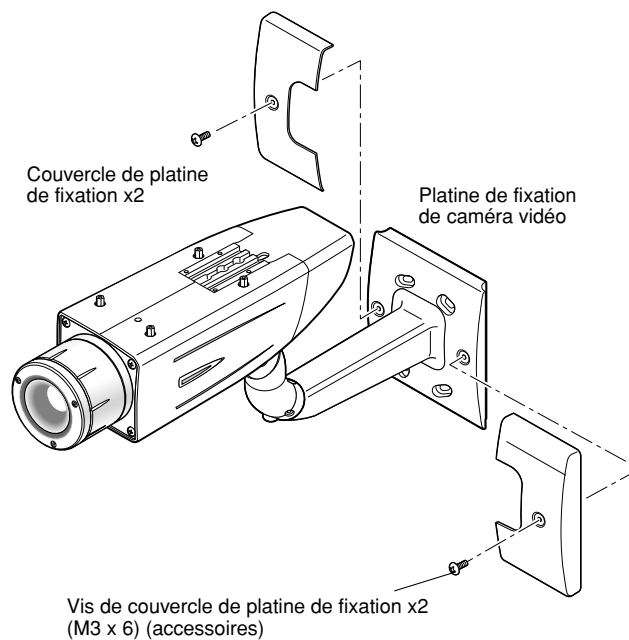


**Remarque:**

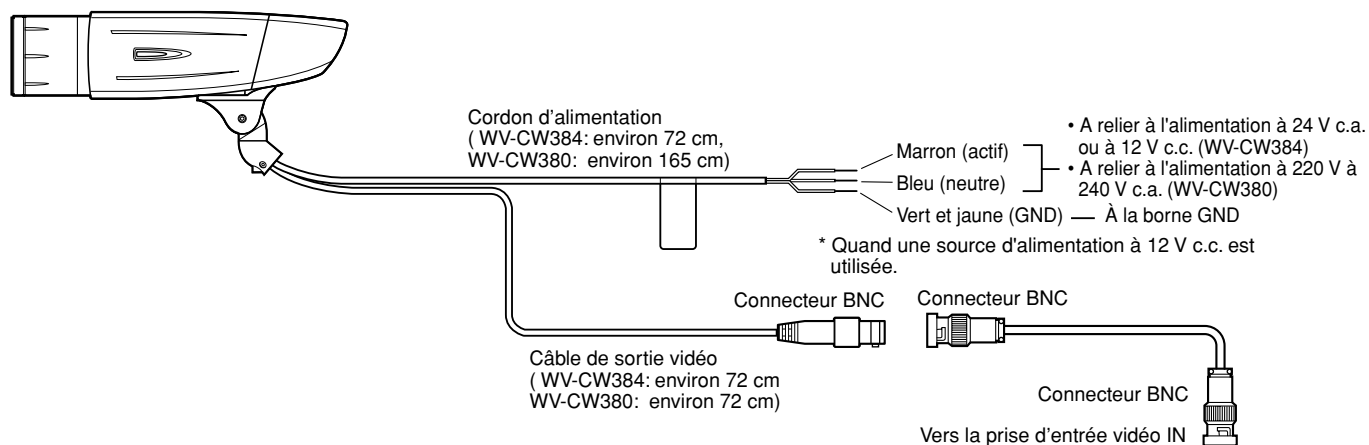
- Les charnières droites ou gauches du boîtier d'adaptation seront sélectionnées afin d'empêcher que le mouvement de la platine de fixation de caméra vidéo soit gêné par des éléments d'obstruction tels qu'un mur quand la platine de fixation de caméra vidéo est connectée aux charnières du boîtier d'adaptation.



- 3** Installer solidement les couvercles de la platine de fixation sur la platine de fixation de caméra vidéo en utilisant les 2 vis de couvercle de platine de fixation (en accessoires).



## 4 Réaliser les connexions



### Connexion de sortie vidéo

Raccorder le connecteur de sortie vidéo au moniteur vidéo ou à un autre périphérique de système avec le câble coaxial (procuré localement).

La longueur maximum extensible d'un câble prolongateur qu'il est possible d'utiliser est indiquée dans la table.

Type de câble coaxial	RG-59/U (3C-2V)	RG-6/U (5C-2V)	RG-11/U (7C-2V)	RG-15/U (10C-2V)	
Longueur maximum de câble recommandée	m	250	500	600	800

### Connexion d'alimentation

#### Précaution:

- Les branchements doivent être confiés à un dépanneur de système qualifié ou à des installateurs de système professionnels en conformité à NEC 725-51.

#### • Couleurs des fils et fonctions Câble d'alimentation de caméra vidéo

<WV-CW384>

Teinte de fil	24 V c.a.	12 V c.c.
Marron	24 V c.a. (L)	Positif
Bleu	24 V c.a. (N)	Négatif
Vert et jaune	À la borne GND	À la borne GND

<WV-CW380>

Teinte de fil	
Marron	220 V à 240 V c.a. (L)
Bleu	220 V à 240 V c.a. (N)
Vert et jaune	À la borne GND

#### Précautions:

- Ne pas oublier de raccorder le fil de mise à la terre (GND) de la caméra vidéo et la borne de mise à la terre de la source d'alimentation quand la source d'alimentation choisie est du courant alternatif de 24 V (WV-CW384) ou du courant alternatif de 220 V - 240 V (WV-CW380).
- Le rétrécissement de la gaine d'isolement en bout de câble s'effectue en seule fois. Ne pas retrécir la gaine d'isolement en bout de câble avant d'avoir vérifié que l'appareil fonctionne normalement.

- RACCORDER UNIQUEMENT À UNE SOURCE D'ALIMENTATION 24 V C.A. ou 12 V C.C. DE CLASSE 2.
- Pour éviter tout risque d'incendie ou d'électrocution, utiliser un câble VW 1 UL indiqué dans la liste de style 1007 comme câble pour bornes d'entrée.
- Ne pas se servir d'un transformateur dont la puissance est supérieure à 10 VA.

### Longueur de câble et calibre des fils

#### <WV-CW384>

##### 24 V c.a.

La longueur recommandée du câble et calibre de fil de cuivre sont indiquées dans le tableau à titre de référence.

La tension appliquée aux bornes d'alimentation de la caméra vidéo doit se trouver dans les limites comprises entre 19,5 V de courant alternatif et 28 V de courant alternatif.

Calibre des fils de connexion recommandé pour une ligne d'alimentation à 24 V c.a.

Calibre de fil de cuivre (AWG)	#24 (0,22 mm <sup>2</sup> )	#22 (0,33 mm <sup>2</sup> )	#20 (0,52 mm <sup>2</sup> )	#18 (0,83 mm <sup>2</sup> )	
Longueur de câble (environ)	m	20	30	45	75

##### 12 V c.c.

La résistance recommandée et calibre de fil de cuivre sont indiquées dans le tableau à titre de référence.

La tension appliquée aux bornes d'alimentation de la caméra vidéo doit se trouver dans les limites comprises entre 10,5 V de courant continu et 16 V de courant alternatif.

Résistance des fils de cuivre [à 20°C]

Calibre de fil de cuivre (AWG)	#24 (0,22 mm <sup>2</sup> )	#22 (0,33 mm <sup>2</sup> )	#20 (0,52 mm <sup>2</sup> )	#18 (0,83 mm <sup>2</sup> )
Résistance (Ω/m)	0,078	0,050	0,03	0,018

"L", "R", "V<sub>A</sub>" et "I" doivent répondre à l'inégalité ci-dessous.

$$10,5 \text{ V c.c.} \leq V_A - 2(R \times l \times l) \leq 16 \text{ V c.c.}$$

L : Longueur de câble (m)

R : Résistance des fils de cuivre (Ω/m)

V<sub>A</sub> : Tension continue d'alimentation de bloc d'alimentation

I : Puissance consommée à courant continu (A). Voir les caractéristiques techniques.

---

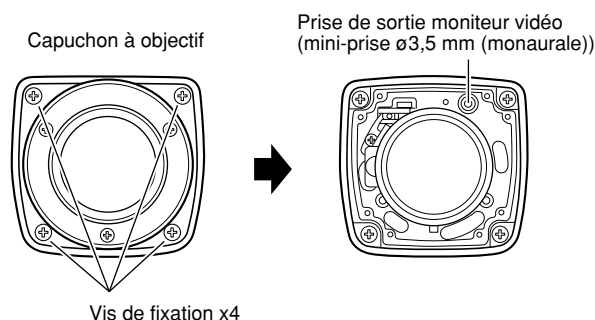
**Important:**

- Quand une source d'alimentation de 12 V à courant continu est utilisée.
- 

**5 Faire en sorte d'observer un moniteur vidéo au moment de faire le réglage d'orientation de la caméra vidéo.**

Fournir l'alimentation électrique à cet appareil, connecter le moniteur vidéo pour faire le réglage (par exemple, un petit écran d'affichage à cristaux liquides) à la prise de sortie moniteur vidéo et régler l'angle d'orientation de la caméra vidéo (couper le courant après le réglage de l'angle de vue par mesure de sécurité).

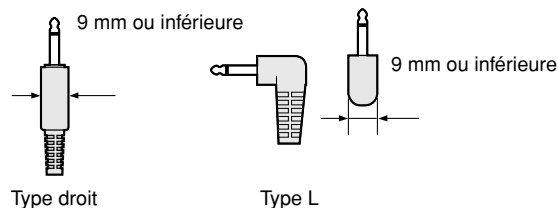
1. Desserrer les 4 vis de fixation du couvercle d'objectif pour retirer le couvercle d'objectif.
2. Connecter le moniteur vidéo pour faire le réglage à la prise de sortie moniteur vidéo.



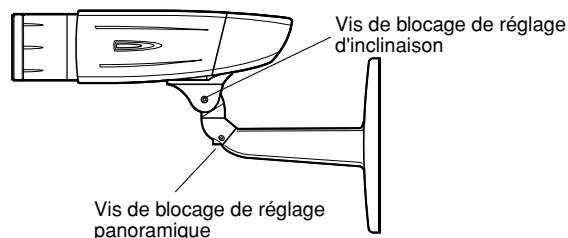
---

**Remarque:**

- Les dimensions de la prise sur l'illustration ci-dessous seront respectées pour le moniteur utilisé pour faire le réglage.



3. Refaire les étapes (1) et (2) pour régler l'angle d'orientation de la caméra vidéo.
  - (1) Desserrer la vis de blocage de réglage panoramique et faire tourner la tête de la caméra vidéo horizontalement pour régler le balayage panoramique.
  - (2) Desserrer la vis de blocage de réglage d'inclinaison et faire pivoter la tête de la caméra vidéo verticalement pour régler l'inclinaison.
  - (3) Serrer la vis de blocage de réglage panoramique et la vis de blocage de réglage d'inclinaison après avoir fait le réglage d'angle d'orientation de la caméra vidéo.



---

**Important:**

- Serrer fermement la vis de blocage de réglage panoramique et la vis de blocage de réglage d'inclinaison après avoir fait le réglage d'angle d'orientation de la caméra vidéo.  
Couple de serrage recommandé: 2,45 N·m
- 

---

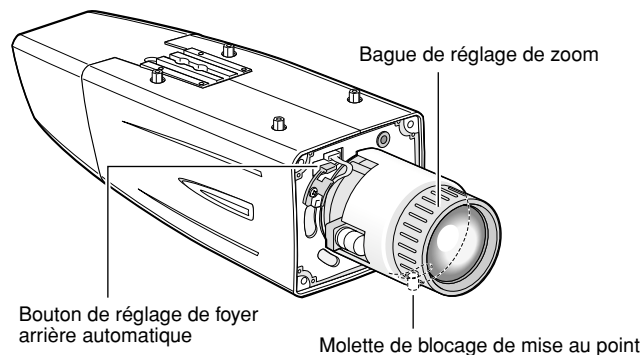
**Remarques:**

- Utiliser une clef à six pans avec une largeur des méplats de 4 mm (à se procurer localement) pour desserrer ou serrer la vis de blocage de réglage panoramique et la vis de blocage de réglage d'inclinaison.
  - À peu près une rotation de desserrage de la vis de blocage de réglage panoramique et de la vis de blocage de réglage d'inclinaison permet de faire le réglage d'angle d'orientation de la caméra vidéo. Ne pas desserrer les vis de fixation plus que nécessaire.
  - Le boîtier de caméra vidéo sera retenue quand la vis de blocage de balayage panoramique ou la vis de blocage d'inclinaison est desserrée.
  - Le réglage de mise au point (☞ page 88) doit être exécuté avant d'exécuter les réglages de balayage panoramique et d'inclinaison.
-

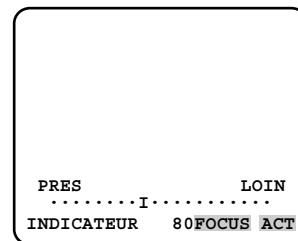
## 6 Ajuster la mise au point

Le réglage de mise au point doit être exécuté lorsque le réglage d'angle d'orientation de caméra vidéo est exécuté (☞ page 87).

1. Refaire les étapes (1) et (2) pour régler l'angle de vue et la mise au point.
  - (1) Faire tourner la bague de réglage de zoom pour régler l'angle de vue entre les positions TELE et WIDE.
  - (2) Desserrer la molette de blocage de mise au point, effectuer le réglage global de mise au point puis resserrer la molette de blocage de mise au point.



2. Appuyer sur le bouton de réglage de foyer arrière automatique après avoir ajusté l'angle de vue tout en observant sur le moniteur vidéo pour le réglage.  
→ L'indicateur de position de mise au point est affiché dans la partie inférieure de l'écran et le tirage arrière est ajusté automatiquement.



3. Pour faire un réglage précis du tirage arrière après avoir fait le réglage de tirage arrière automatique, utiliser les boutons de commande par l'intermédiaire de du menu de configuration. (☞ page 103)

---

### Remarques:

- Aucune opération effectuée pendant de 10 secondes annule automatiquement l'indicateur de position de mise au point.
- Pour pouvoir changer d'angle de vue en actionnant la bague de réglage de zoom, déplacer également la molette de blocage de mise au point pour ajuster la mise au point.

---

### <Comment ajuster la mise au point>

- Quand un objectif à diaphragme automatique est utilisé pour enregistrer un sujet photographique, le réglage de mise au point d'origine risque d'être légèrement décalé en fonction de l'état actuel du diaphragme résultant de la profondeur focale de l'objectif. Si toutefois c'est le cas, ouvrir le diaphragme pour assombrir le plus possible le sujet en procédant de la même manière que pour prendre une photo puis faire le réglage de la mise au point. L'écart de mise au point peut être ainsi être évité.

Le fait de se servir de "ABF" de "BACK-FOCUS AJUST" dans le menu de configuration (☞ page 103) permet aux utilisateurs de régler la mise au point de façon optimale dans les limites de capacité de suivi automatique de variation d'éclairage. Remarque: Le point focal réglé n'est pas nécessairement le même que le point focal optimal de l'éclairage.)

- Le niveau d'écart de mise au point dans la région proche de l'infrarouge risque d'être plus élevé que dans la région d'une source d'éclairage visible.  
Un réglage de "COULEUR ← → NB" de "BACK-FOCUS AJUST" sur "AUTO" ou "PREPO" dans le menu de configuration permet aux utilisateurs de régler la mise au point autant dans les régions d'un éclairage proche de l'infrarouge qu'un éclairage visible. (Les variations de l'éclairage ne sont pas suivies après le réglage de mise au point.)

---

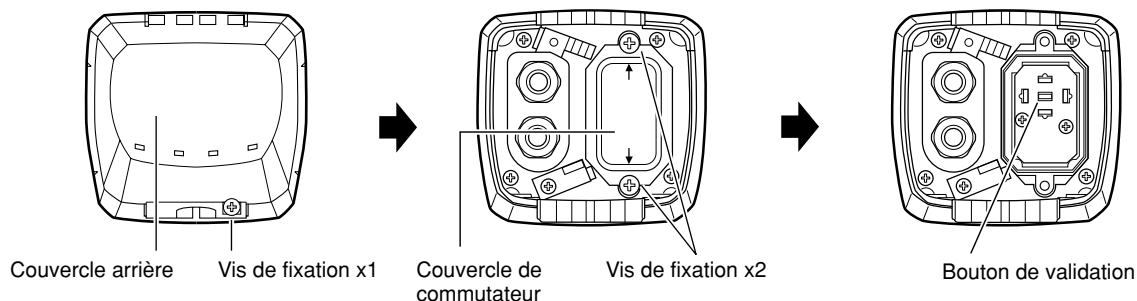
### <Comment se servir d'un objectif à focale variable>

- Réinitialiser la position du foyer arrière pour restaurer la position par réglage implicite avant de faire le réglage de foyer arrière. (Appuyer simultanément sur les boutons gauche et droit des boutons de commande pendant au moins 2 secondes ou bien déplacer le curseur sur "MANUEL-AJUST" de "BACK-FOCUS AJUST" dans le menu de configuration et appuyer et immobiliser les boutons gauche et droit simultanément pendant au moins 2 secondes après avoir appuyé sur le bouton de paramétrage.)



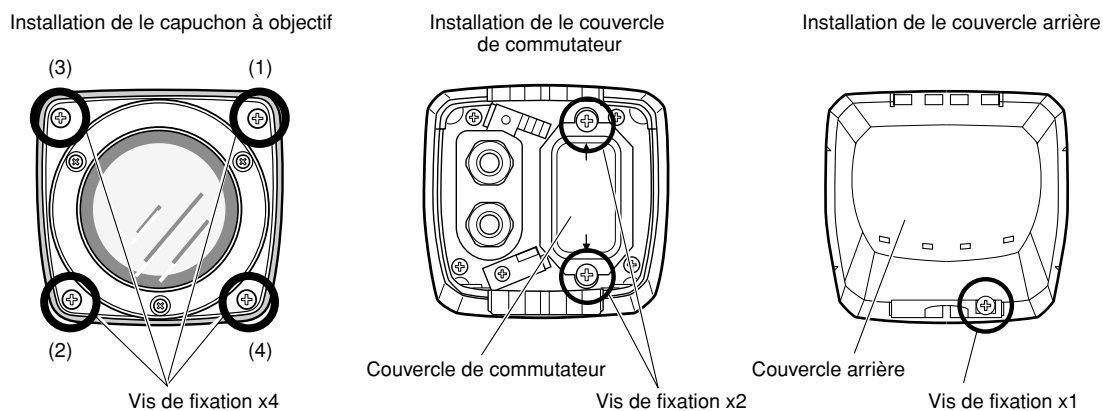
### <Réglage précis du tirage arrière par l'intermédiaire du menu de configuration>

1. Desserrer la vis de fixation du couvercle arrière pour retirer le couvercle arrière.
2. Desserrer les 2 vis de fixation du couvercle des commutateurs pour retirer le couvercle des commutateurs.
3. Maintenir le bouton de paramétrage enfoncé pendant au moins 2 secondes pour rappeler à l'écran d'ouverture du menu de configuration. Puis ajuster le tirage arrière. Pour obtenir de plus amples renseignements, référez-vous à la page 103.



## 7 Remonter le couvercle.

1. Fixer le déshydratant (accessoire) sur la face inférieure interne du couvercle d'objectif.
2. Remonter le couvercle d'objectif, le couvercle des commutateurs et le couvercle arrière.

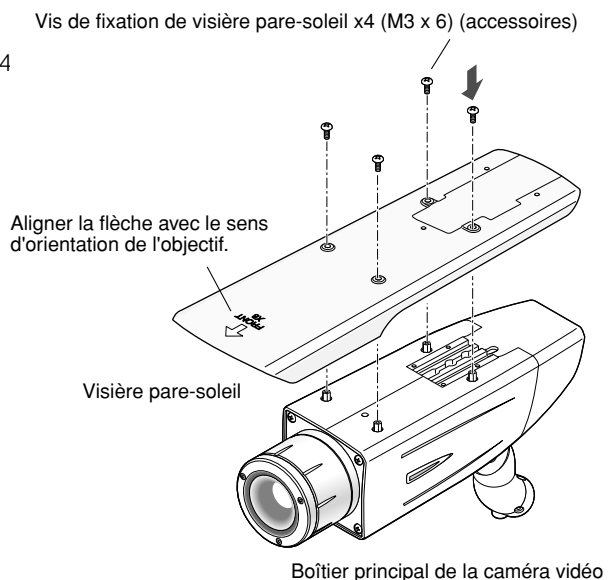


### Important:

- Le couple de serrage décrit ci-dessous sera suivi pour les 2 vis de fixation du couvercle des commutateurs et les 4 vis de fixation du couvercle d'objectif.  
Couple de serrage recommandé: 0,59 N·m
- Ne pas oublier de fixer le déshydratant (accessoire). Se référer aux instructions d'utilisation du déshydratant pour savoir comment le fixer.
- La séquence de serrage des 4 vis de fixation du couvercle d'objectif doit être respectée et répétée deux fois comme décrit dans l'illustration ci-dessus.  
((1) → (2) → (3) → (4), deux fois)

## 8 Fixer la visière pare-soleil

Installer la visière pare-soleil sur la caméra vidéo en utilisant les 4 vis de fixation de visière pare-soleil (en accessoires).

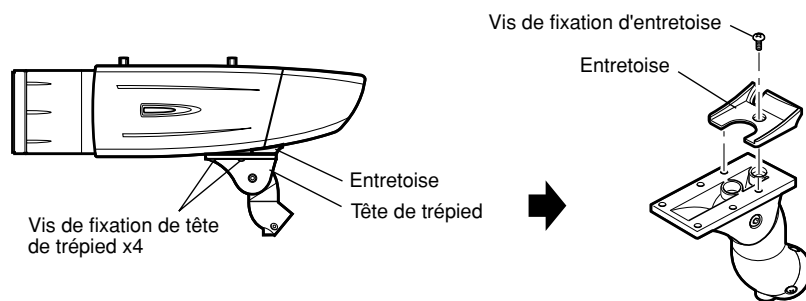


### Remarques:

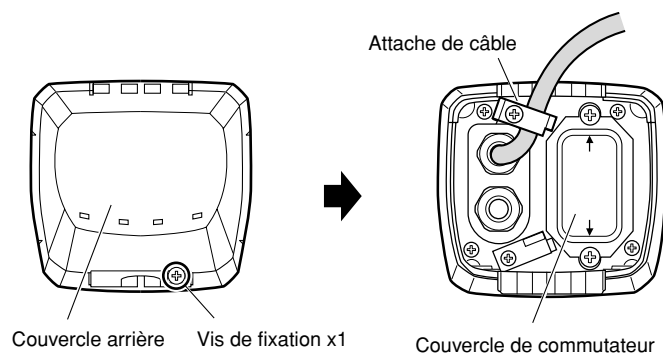
- Faire en sorte d'utiliser les 4 vis de fixation de visière pare-soleil (accessoires). Couple de serrage recommandé: 0,59 N·m
- Le côté "FRONT" de la visière pare-soleil doit se trouver du côté de l'objectif.

## 9 Quand la surface d'installation est changée et que la surface supérieure du coffret de caméra vidéo

1. Retirer les 4 vis de fixation de tête de trépied du coffret de caméra vidéo et retirer la tête de trépied.
2. Desserrer 1 vis de fixation d'entretoise de la tête de trépied et retirer l'entretoise.



3. Desserrer la vis de fixation et retirer le couvercle arrière.
4. Positionner la partie supérieure de attach de câble pour faire passer le câble de sortie vidéo et le cordon d'alimentation vers le haut. Et puis installer le couvercle arrière.



5. Installer la tête de trépied à la partie supérieure de la caméra vidéo avec les 4 vis de fixation de tête de trépied qui ont été retirées au cours de l'étape 1.

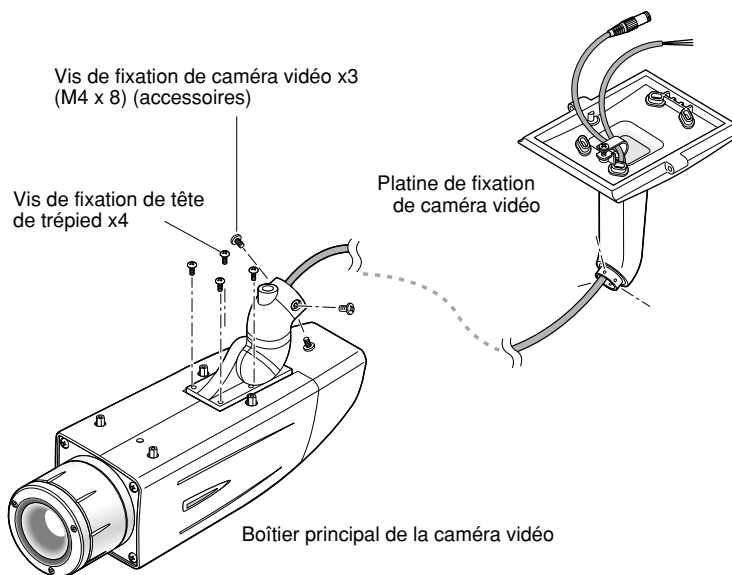
### Important:

- Toute précautions doit être prise pour empêcher le câble de sortie vidéo et le cordon d'alimentation d'être pris entre le coffret de caméra vidéo et la tête de trépied.

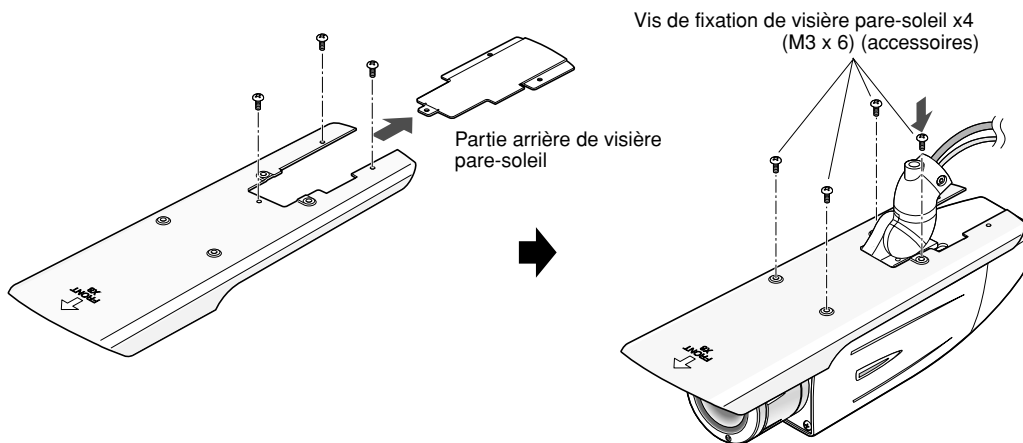
6. Installer solidement la caméra vidéo sur la platine de fixation de caméra vidéo en utilisant les 3 vis de fixation de caméra vidéo (en accessoires).  
Faire passer le câble de sortie vidéo, le cordon d'alimentation et le câble de sécurité dans la platine de fixation de caméra vidéo et fixer le câble de sécurité à la platine de fixation de caméra vidéo.

**Important:**

- Faire en sorte d'utiliser les vis qui ont été retirées de la tête de trépied.  
Couple de serrage recommandé: 0,59 N·m

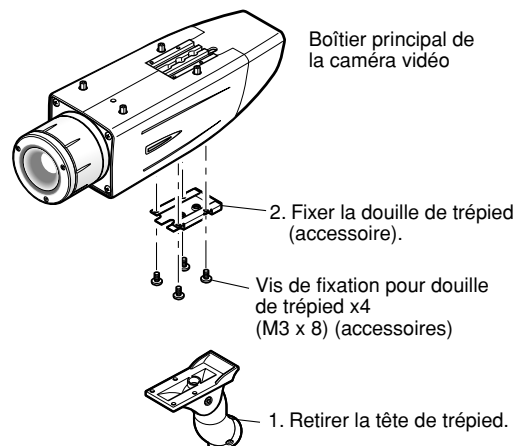


7. Installer la visière pare-soleil sur le coffret de caméra vidéo en utilisant les 4 vis de fixation de visière pare-soleil (en accessoires) après avoir retiré la partie arrière de la visière pare-soleil.



**7 Quand la douille de trépied (accessoire) est utilisée (quand une platine de fixation de caméra vidéo différente est utilisée)**

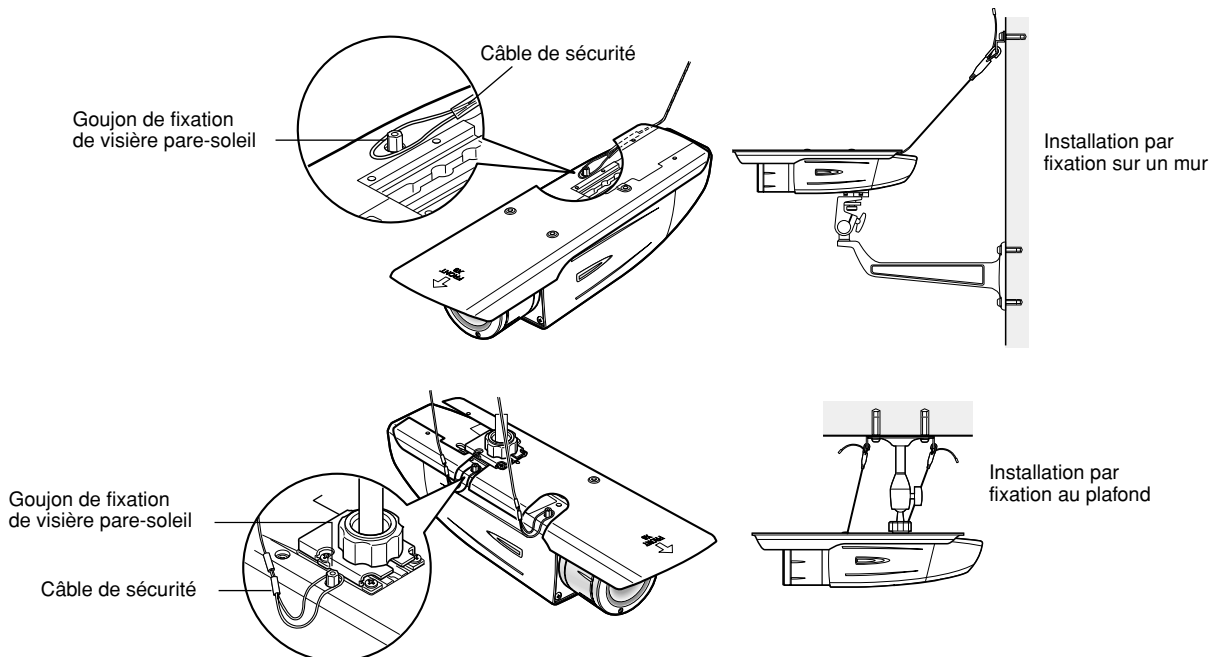
- Retirer les 4 vis de fixation de tête de trépied du coffret de caméra vidéo et retirer la tête de trépied. Démontez la tête de trépied et retirez le câble de sortie vidéo et le cordon d'alimentation.
- Fixer la douille de trépied (accessoire) avec les 4 vis de montage de douille de trépied (accessoires).



3. Utiliser un câble de sécurité (à se procurer localement) pour prendre des mesures contre une chute éventuelle de la caméra vidéo en fonction de la position d'installation.

	Platine de fixation de caméra vidéo	Câble de sécurité
Cas d'une installation murale	WV-831	WV-Q140
Pour une installation au plafond	WV-7010A	WV-Q141

4. Accrocher l'extrémité (la partie en anneau) du câble de sécurité sur le goujon de fixation de la visière pare-soleil et visser la visière pare-soleil pour fixer le câble de sécurité.



5. Se référer aux instructions d'utilisation du câble de sécurité pour les étapes suivantes.

**Important:**

- Faire en sorte d'utiliser les 4 vis de fixation de douille de trépied (accessoires).  
L'utilisation de vis ayant une longueur inadéquate peut endommager l'appareil.
- Les 4 vis retirées de la tête de trépied ne peuvent pas être utilisées.
- Les platines de fixation de caméra vidéo, WV-831 et WV-7010A, et les câbles de sécurité, WV-Q140 et WV-Q141, sont conçus pour être utilisés à l'intérieur. Pour une installation extérieure, utiliser la platine de fixation de caméra vidéo qui se trouve parmi les accessoires.

# À propos des menus de configuration

Avant toute opération, une configuration de la caméra vidéo doit être exécutée. Dans le menu de configuration, il est possible de vérifier les paramètres et d'exécuter les paramètres adaptés aux conditions d'utilisation.

Ce qui suit est un exemple de procédure de configuration lorsque le paramètre "LANGUAGE" est réglé sur "FRANÇAIS".

## Rubriques de paramétrage de la page de configuration de la caméra vidéo

Rubrique de configuration	Description	Pages de référence
<b>CAMERA</b>	Configurer les paramètres relatifs aux opérations exécutées par la caméra vidéo.	
CAMÉRA ID	Le titre de caméra vidéo peut être modifié et affiché sur l'écran.	95
ALC	Permet de configurer la méthode de contrôle de l'éclairage.	96
SHUTTER	Sélectionner la vitesse d'obturation.	97
CAG	Sélectionne la méthode de réglage du gain.	98
VISION NUIT	Ajuster la sensibilité.	98
SYNC	Configurer la méthode de synchronisation.	98
BAL BLC	Sélectionne la méthode de réglage de balance des blancs.	99
DÉTECT MVT	Configurer les paramètres de la fonction de détection de mouvement.	99
RÉDUCT BRUIT	Configurer les paramètres de la fonction RÉDUCT BRUIT (réduction de bruit numérique).	101
RÉSOLUTION	Sélectionner un mode de résolution horizontale.	101
MODE NB	Configurer les paramètres relatifs au mode NB tels que les paramètres de commutation entre les modes couleur et noir et blanc.	101
ZONE PRIVEE	Il est possible de masquer une zone spécifiée en qualité de zone de confidentialité.	102
ZOOM ELEC	Régler le zoom électronique.	102
STABILISATEUR	Sélectionner "OUI" ou "OFF" pour déterminer s'il faut transmettre ou non le stabilisateur d'image empêchant les tremblements d'image.	103
LED	Exécute les paramètres pour LED.	103
<b>BACK-FOCUS</b>	Sélectionner la méthode de réglage de tirage arrière (foyer arrière) et ajuster minutieusement le tirage arrière (foyer arrière).	103
<b>SPECIAL</b>		104
GAIN CHROMA	Ajuste le niveau de chrominance (densité de la couleur).	104
CONTOURS	Ajuste le niveau d'ouverture.	104
PEDESTAL	Ajuste le niveau de décollement du niveau du noir (la luminosité).	104
PIX OFF	Corrige les défauts d'image telles que les rayures.	104
RESET CAMERA	Réinitialise les paramètres du menu de configuration et les ramène sur leurs valeurs à réglage implicite.	105
NO SER	Vérifier le numéro de série de cette caméra vidéo.	105
<b>LANGUAGE</b>	Sélectionner la langue d'affichage du menu de configuration.	95

## ■ Utilisation de base

Les descriptions qui suivent sont consacrées à la façon de configurer chaque rubrique de configuration en utilisant les boutons de commande de la caméra vidéo (se référer à la page 80). Configuration également possible en utilisant un contrôleur de système optionnel.

---

### Remarque:

- Les illustrations ci-dessous sont des exemples à afficher sur un moniteur vidéo.
- 

1. Maintenir le bouton [SET] enfoncé pendant 2 secondes.  
→ La page d'accueil sera affichée.
2. Amener le curseur sur "FIN" et presser le bouton [UP] ou [DOWN].

```
MODELE WV-CW380 SERIES
CAMÉRA↵
BACK-FOCUS↵
SPECIAL↵
LANGUAGE↵

FIN AJUST INVALIDE
```

3. Appuyer sur le bouton [SET] après avoir déplacé le curseur sur "AJUST" en appuyant sur le bouton [RIGHT].  
→ L'indication "INVALIDE" se changera en indication "VALIDE" et les paramètres pourront alors être modifiés.

```
MODELE WV-CW380 SERIES
CAMÉRA↵
BACK-FOCUS↵
SPECIAL↵
LANGUAGE↵

FIN AJUST VALIDE
```

4. Amener le curseur sur la rubrique de paramétrage souhaitée et appuyer sur le bouton [SET].  
→ La page de configuration de la rubrique de configuration sélectionnée sera affichée.

```
**CAMERA AJUST** 1/2
CAMÉRA ID OFF↵
ALC ALC↵
SHUTTER OFF
CAG OUI (ÉLEVÉ)
VISION NUIT OFF
SYNC INT
BAL BLC BAL BLC PERM1↵
DÉTECT MVT MODE1↵
RÉDUCT BRUIT ÉLEVÉ
RÉSOLUTION ÉLEVÉ
MODE NB↵
```

5. Configurer les paramètres de chaque rubrique.

**Sélectionner la rubrique de configuration:** Amener le curseur en appuyant sur le bouton [UP] ou [DOWN].

**Modifier le paramètre:** Appuyer sur le bouton [LEFT] ou [RIGHT].

**Affiche la page des paramètres détaillés de chaque rubrique de configuration:** Appuyer sur le bouton [SET] lorsque la rubrique de configuration accompagnée de la marque ["↵"] est sélectionnée.

**Retourne à la page précédente:** Amener le curseur sur "RET" et appuyer sur le bouton [SET].

**Retourne à la page d'accueil:** Amener le curseur sur "PRI" en appuyant sur le bouton [SET].

```
**CAMERA AJUST** 2/2
ZONE PRIVEE OFF
ZOOM ELEC OFF
STABILISATEUR OFF
LED OUI

RET PRI FIN
```

6. Pour quitter le menu AJUST et afficher les images provenant de la caméra vidéo, amener le curseur sur "FIN" et appuyer sur le bouton [SET].

---

### Remarques:

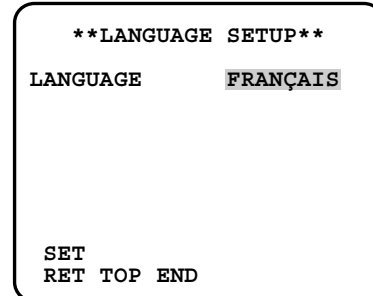
- Pour éviter toute commande erronée, l'indication "INVALIDE" sera toujours affichée lorsque la page d'accueil est affichée à partir de la caméra vidéo. Pour pouvoir agir dans le menu AJUST, commuter d'abord l'indication "INVALIDE" en indication "VALIDE".
  - La position du curseur sera affichée en surbrillance.
-

# Procédures de réglage

Sélectionner tout d'abord l'affichage de menu et l'affichage d'identification de caméra vidéo.

## Configuration de la langue (LANGUAGE SETUP)

1. Sélectionner "LANGUAGE" dans le menu d'ouverture et appuyer sur le bouton [SET].  
→ Le menu "LANGUAGE SETUP" s'ouvre.
2. Sélectionnez une langue. Le réglage implicite d'usine est fait sur "FRANÇAIS".  
**Langues disponibles:** ENGLISH, FRANÇAIS, ESPAÑOL, DEUTSCH, ITALIANO, РУССКИЙ, CHINESE ou JAPANESE
3. Sélectionner "SET" dans le menu et appuyer sur le bouton [SET].



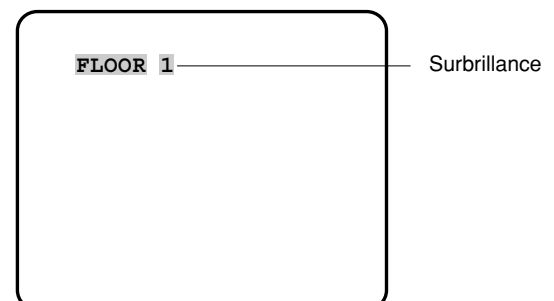
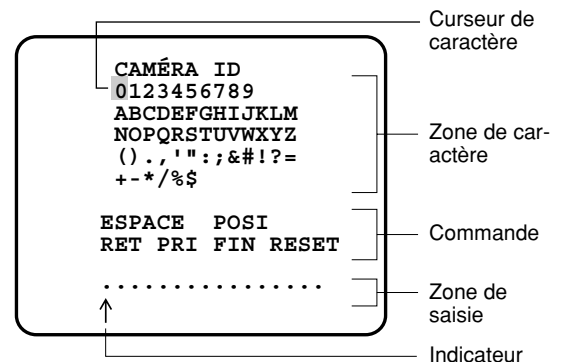
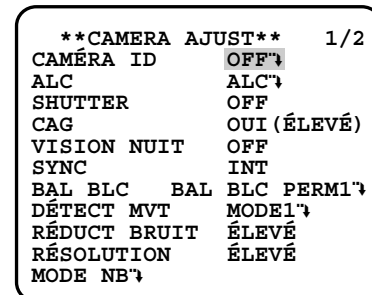
## 1. Paramétrage d'identification de la caméra vidéo (CAMÉRA ID)

Attribuer un nom à la caméra vidéo à l'aide de 16 caractères qui sera affiché en superposition sur l'image de caméra vidéo à la position sélectionnée.

### Remarque:

- Si la sélection de la langue est modifiée après avoir attribué une identification de caméra vidéo, elle sera effacée.

1. Dans le menu "CAMERA AJUST", sélectionner "OUI"↵ ou "OFF"↵ pour le paramètre "CAMÉRA ID" et appuyer sur le bouton [SET].  
**OUI**↵: Affiche l'identification de la caméra vidéo qui a été saisie.  
**OFF**↵: N'affiche pas l'identification.  
→ Le menu "CAMÉRA ID" s'ouvre.
2. Sélectionner un caractère dans la zone de sélection des caractères et appuyer sur le bouton [SET].  
→ Les caractères sélectionnés sont affichés dans la zone de modification.
3. Refaire ces procédures jusqu'à ce que tous les caractères soient saisis.
  - Pour introduire un espace, sélectionner "ESPACE" et appuyer sur le bouton [SET].
  - Pour remplacer un caractère spécifique dans la zone de modification:
    1. Amener le curseur jusqu'à la zone de modification et amener le curseur sur le caractère à remplacer en appuyant sur les boutons [LEFT] et [RIGHT].
    2. Amener le curseur sur le caractère désiré dans la zone de caractère et appuyer sur le bouton [SET].
  - Pour effacer tous les caractères de l'identification de caméra vidéo, sélectionner "RESET" et appuyer sur le bouton [SET].



### Remarque:

- Dans le cas du chinois, il est possible de saisir jusqu'à 8 caractères au maximum.

4. Comment spécifier la position d'affichage du numéro d'identification de caméra vidéo:
  1. Sélectionner "POSI" appuyer sur le bouton [SET].  
→ L'identification de caméra vidéo saisie sera mise en surbrillance sur l'écran.
  2. La déplacer jusqu'à la position appropriée et appuyer sur le bouton [SET].  
→ La position est déterminée et l'écran retourne au menu "CAMÉRA ID".

**Remarque:**

- Continuer à appuyer sur le bouton [LEFT], [RIGHT], [UP] ou [DOWN] pendant au moins seconde pour déplacer plus rapidement l'identification de caméra vidéo quand cela s'avère nécessaire.

## 2. Paramétrage de mode de contrôle de lumière (ALC)

Sélectionner un mode de contrôle de lumière suivant le type d'objectif monté sur la caméra vidéo.

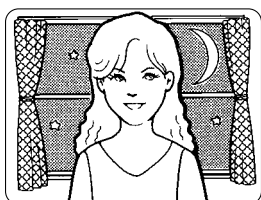
**ALC**↴: Ceci est applicable à un objectif à diaphragme automatique. "SUPER-D3" est disponible avec cette sélection.

### 2-1. Mode ALC avec la fonction SUPER-D3 activée

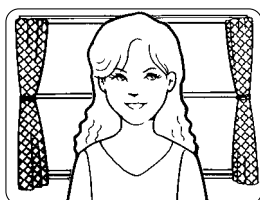
#### Fonction Super Dynamic 3 (SUPER-D3)

En mode SUPER-D3, une plus grande pondération photométrique est accordée au centre de l'écran que sur les bords, là où un puissant éclairage en contre-jour est le plus probable.

SUPER-D3 QUI

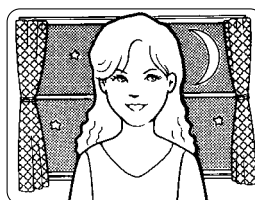


Heure de nuit

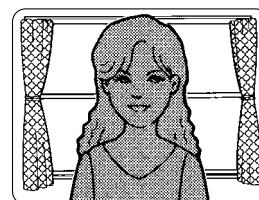


Heure de jour

SUPER-D3 OFF



Heure de nuit



Heure de jour

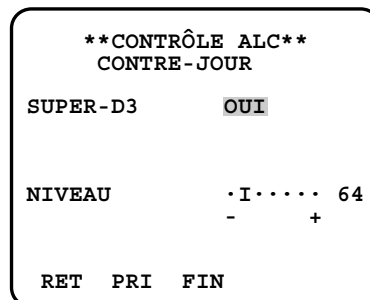
**SUPER-D3 OUI:** Valide la fonction SUPER-D3 afin de compenser automatiquement un éclairage à contre-jour.

**SUPER-D3 OFF:** Valide un paramétrage manuel afin de compenser un éclairage à contre-jour.

**Remarques:**

- Lorsque le paramétrage est fait sur "OUI", les paramètres disponibles pour "SHUTTER" et "VISION NUIT" seront limités comme cela est indiqué à la page suivante.
- Paramétrer "SUPER-D3" sur "OFF" lorsque du bruit, un scintillement ou une dégradation de la couleur se produisant dans une zone lumineuse est remarquée.

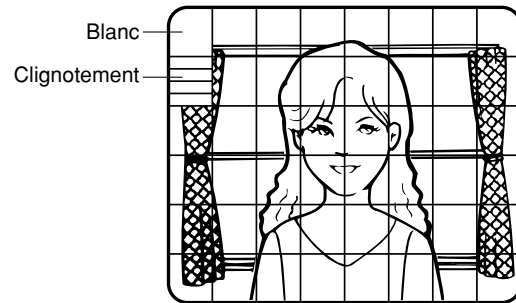
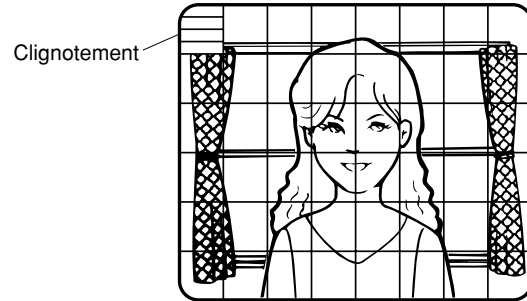
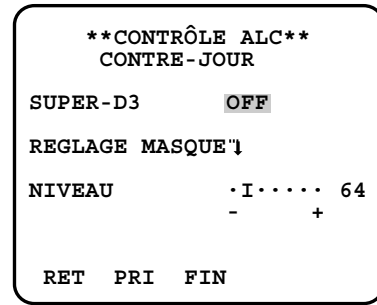
1. Amener le curseur sur "ALC" et appuyer sur le bouton [SET].  
→ Le menu "CONTRÔLE ALC" s'ouvre.
2. Sélectionner "OUI" pour "SUPER-D3".
3. Ajuster le niveau de sortie vidéo (NIVEAU) en amenant le curseur sur "I". Il est certainement préférable d'ajuster "NIVEAU" sur une valeur sensiblement supérieure.





## 2-2. Mode ALC avec la fonction SUPER-D3 OFF

1. Amener le curseur sur "ALC" dans le menu "CAMERA AJUST" et sélectionner "OFF" pour le paramètre "SUPER-D3" dans le menu "CONTRÔLE ALC".  
→ "REGLAGE MASQUE" apparaît dans le menu "CONTRÔLE ALC".
2. Sélectionner "REGLAGE MASQUE" et appuyer sur le bouton [SET].  
→ Les 48 zones masquées apparaissent en superposition à l'image de caméra vidéo camera avec le curseur clignotant dans le coin supérieur gauche.
3. Amener le curseur dans une zone où l'éclairage arrière est intense et appuyer sur le bouton [SET] pour masquer cette zone.  
→ La zone masquée apparaît alternativement en blanc et en clignotant lorsque le curseur est dans la zone ou bien elle vire au blanc lorsque le curseur est sur d'autres zones.
4. Pour annuler un masquage, amener le curseur sur une zone masquée et appuyer sur le bouton [SET].  
→ Lorsque le masquage de la zone est annulé, la zone vire du blanc à la teinte normale.  
Pour annuler tous les masquage, appuyer simultanément sur les boutons [LEFT] et [RIGHT] pendant au moins 2 secondes.
5. Au besoin, refaire les étapes 3 et 4.
6. Maintenir le bouton [SET] pressé pendant au moins 2 secondes.  
→ Le menu "CONTRÔLE ALC" apparaît.
7. Ajuster le niveau de sortie vidéo (NIVEAU) en amenant le curseur sur "I".

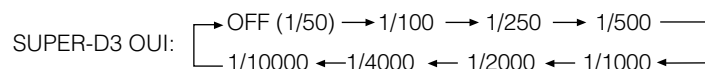


### Remarque:

- Lorsque l'option "OUI" est sélectionnée pour "SUPER-D3", une ombre (une ligne noire) risque éventuellement d'apparaître dans la zone limite entre les scènes lumineuses et sombres. Ce phénomène est naturel et ne signifie qu'il y a anomalie pour autant.

## 3. Réglage de la vitesse d'obturation (SHUTTER)

Sélectionner une vitesse d'obturation appropriée lorsque "ALC" est sélectionné dans le menu "CAMERA AJUST". La sélection d'une vitesse plus rapide permettra d'atténuer le flou lorsque les sujets observés se déplacent rapidement. Le réglage implicite d'usine est fait sur "OFF".



### Remarques:

- Seule l'option "OFF" est disponible lorsque le paramètre "SUPER-D3" est réglé sur "OUI".
- Quand une vitesse supérieure est sélectionnée pour la vitesse électronique, l'image sera généralement plus sombre et parfois manifestera des traînées d'image (stries verticales provoquées par des sujets lumineux).

## 4. Paramétrage de contrôle de gain (CAG)

Sélectionner le mode de contrôle automatique de gain. Ce réglage augmente le gain le plus élevé et rend l'image plus lumineuse sous faible éclairage. Le réglage implicite a été fait sur "OUI (ÉLEVÉ)".

**Modes disponibles:** OUI (ÉLEVÉ), OUI (MOYEN), OUI (BAS), OFF

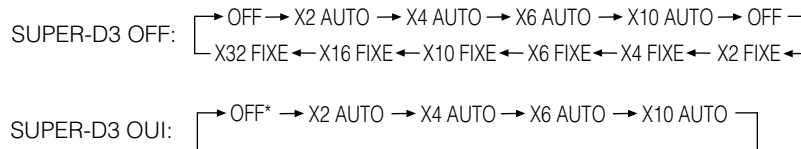
## 5. Accroissement de la sensibilité électronique (VISION NUIT)

Sélectionner un taux rehaussement approprié quand la caméra vidéo est réglée en mode ALC. Plus le taux de rehaussement est élevé et plus l'image est lumineuse. Le réglage implicite d'usine est fait sur "OFF".

**AUTO:** Régler "CAG" sur "OUI" et augmenter de façon adaptée la sensibilité jusqu'au taux d'amplification sélectionné, par exemple 10 fois lorsque le paramétrage est fait sur "X10 AUTO".

**FIXE:** Relever la sensibilité sur un niveau fixe sur le taux sélectionné.

**OFF:** N'augmente pas la sensibilité.



\* Réglage implicite

### Remarques:

- Certains types de contrôleurs de système risquent de ne pas fonctionner avec les fonctions VISION NUIT. Si toutefois cela se produit, se servir des boutons de commande de la caméra vidéo.
- Lorsque l'option "AUTO" est sélectionnée pour le paramètre "VISION NUIT" et "OUI" pour le paramètre "SUPER-D3", la fonction VISION NUIT est prioritaire de telle sorte que la fonction SUPER-D3 n'est pas mise en service automatiquement.
- Quand la fonction VISION NUIT est sélectionnée, du bruit, des taches lumineuses ou un phénomène de virage au blanc peuvent apparaître dans l'image quand la sensibilité de la caméra vidéo est augmentée. Ce phénomène est normal.
- Seule l'option "OFF", "X2 FIXE" ou "X2 AUTO" est sélectionnée pour un rehaussement de la sensibilité (VISION NUIT), il est possible d'exécuter le paramétrage de ABF ou de sélectionner "AUTO" pour le paramètre "COULEUR  $\leftrightarrow$  NB" dans le menu "BACK-FOCUS AJUST". Quand un taux de sensibilité autre que "X2 FIXE" ou "X2 AUTO" est sélectionné, se servir de l'option "PREPO" et "FIXE" pour le paramètre "COULEUR  $\leftrightarrow$  NB" dans le menu "BACK-FOCUS AJUST".

## 6. Réglage de synchronisation (SYNC)

1. Sélectionner un mode de synchronisation.

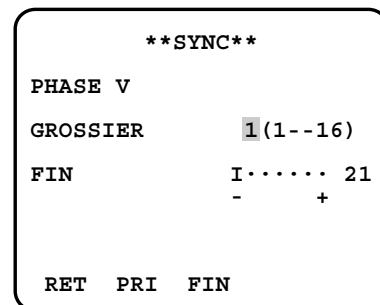
**VD2:** Signal de commande vertical multiplexé, plus haute priorité

**SECTEUR:** Verrouillage trame et réseau, suit la phase de l'alimentation à courant alternatif fournie, 2ème priorité

**INT:** Signal de synchronisation interne, plus faible priorité

### Remarques:

- La sélection n'est pas disponible lorsque le signal VD2 est ajouté à la caméra vidéo. La sélection à partir de "SECTEUR" est disponible lorsque la synchronisation respective est ajoutée.
- Lorsque "SECTEUR" est sélectionné, le calage de phase est exigé.



2. Calage de phase de signal vertical de fréquence trame et réseau (PHASE V)

- Sélectionner "SECTEUR" appuyer sur le bouton [SET].
- Préparer un oscilloscope bitrace et injecter le signal de sortie vidéo de la caméra vidéo à ajuster et le signal vidéo de sortie de référence de la caméra vidéo.
- Régler l'oscilloscope bitrace en taux de trames et étendre la section de synchronisation de trames.
- Sélectionner une phase "GROSSIER" appropriée parmi les 16 échelons (22,5 degrés par échelon) qui permet de rapprocher au mieux les deux signaux vidéo sur l'oscilloscope.
- Sélectionner une phase "FIN" appropriée qui permet de rapprocher au mieux les deux signaux vidéo sur l'oscilloscope.

---

**Remarques:**

- Le fait de amener le curseur "I" jusqu'en bout de course +/- permet d'agir sur la gamme "FIN".
  - Pour ramener les paramètres de "PHASE V" sur leurs valeurs à réglage implicite (0 degré), appuyer simultanément sur les boutons [LEFT] et [RIGHT].
  - Continuer à appuyer sur les boutons [LEFT] et [RIGHT] pendant au moins seconde pour déplacer plus rapidement le curseur "I" quand cela s'avère nécessaire.
  - Les crêtes de bruit qui, si elles sont contenues dans l'alimentation à courant alternatif, risquent d'affecter la synchronisation de SECTEUR.
- 

## 7. Réglage de balance des blancs (BAL BLC)

Sélectionner un mode "BAL BLC" dans le menu "CAMERA AJUST". Le réglage implicite est fait sur "BAL BLC PERM1".

**BAL BLC PERM1:** Une adaptation automatique est réalisée pour une utilisation des lampes au sodium (2 700 K à 6 000 K).

**BAL BLC PERM2:** Une adaptation automatique est réalisée pour une utilisation des lampes au sodium (2 000 K à 6 000 K).

**BLANCS MEMO:** Une adaptation automatique est réalisée pour une utilisation des lampes au sodium (2 000 K à 10 000 K).

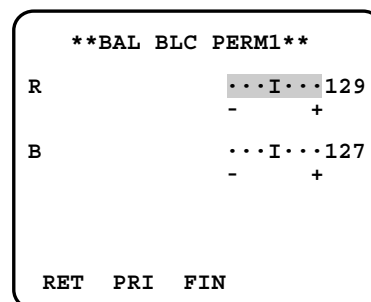
---

**Remarques:**

- Lorsque "BAL BLC PERM1" ou "BAL BLC PERM2" est sélectionné, aucune opération supplémentaire n'est nécessaire.
  - "BAL BLC PERM1" et "BAL BLC PERM2" n'apparaissent pas dans le menu de configuration du contrôleur de système.
  - Sélectionner le mode "BLANCS MEMO" dans les cas suivants: La température de couleur est en dehors des limites de 2 000 K - 6 000 K, la scène contient principalement des températures de couleur élevées comme dans le cas d'un ciel bleu ou d'un coucher de soleil ou bien la scène est sombre.
  - Lorsque "BLANCS MEMO" est sélectionné, le paramétrage "BLANCS MEMO" est exigé.
- 

### Paramétrage de BLANCS MEMO

1. Sélectionner "BLANCS MEMO" et appuyer sur le bouton [LEFT].  
→ "BLANCS MEMO" se changera en "BLANCS MEMO → APP BOUTON".
2. Appuyer sur le bouton [SET].  
→ "APP BOUTON" sera mis en surbrillance pendant l'exécution du paramétrage de "BLANCS MEMO".



---

**Remarque:**

- Si toutefois le calage de la balance des blancs n'est pas effectué, "APP BOUTON" est mis en surbrillance.
- 

3. Appuyer sur le bouton [RIGHT].

### Réglage précis et manuel

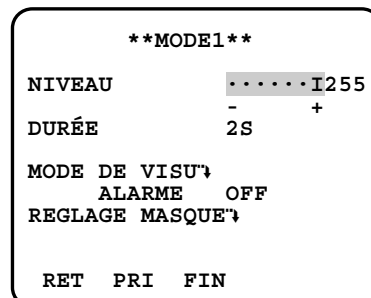
Au besoin, exécuter le réglage précis.

1. Sélectionner "BAL BLC" et appuyer sur le bouton [SET].  
→ Le menu de réglage précis de "BAL BLC PERM" ou "BLANCS MEMO" s'ouvre.
2. Faire un réglage précis du gain "R" (rouge) et "B" (bleu) en déplaçant le curseur "I".

## 8. Paramétrage de la détection de mouvement (DÉTECT MVT)

Quand une série de modifications opérées dans les images est détectée, la caméra vidéo délivre un signal d'alarme à destination d'un dispositif externe tel qu'un enregistreur de disque. L'enregistreur commencera à enregistrer les images.

1. Sélectionner un mode "DÉTECT MVT" dans le menu "CAMERA AJUST".  
Le réglage implicite d'usine est fait sur "OFF".  
**OFF:** Invalide la sortie d'alarme.  
**MODE1:** Délivre un signal d'alarme quand une série de mouvements est détectée.  
**MODE2:** Délivre un signal d'alarme quand une série de modifications dans la scène est détectée.  
→ Le menu "MODE1" s'ouvre lorsque "MODE1" est sélectionné et que le bouton [SET] est pressé.



2. Ajuster "NIVEAU" pour optimiser la sensibilité de détection.

3. Sélectionner une durée de temporisation. Le réglage implicite d'usine est fait sur "2S".

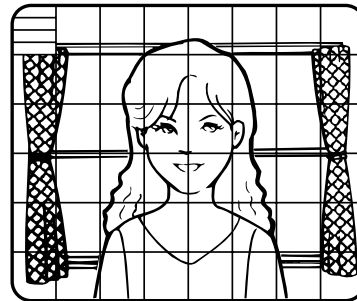
**Durée disponible (en seconde):** 2, 5, 10, 30

La détection suivante sera exécutée après que la durée paramétrée se sera écoulée.

4. Sélectionner "REGLAGE MASQUE" et appuyer sur le bouton [SET].

→ Un écran divisé en 48 zones est ouvert.

- Spécifier les zones de non détection (masque) et de détection de la même manière que celle décrite plus haut au paragraphe 2-2 Mode ALC. (☞ page 97)
- Maintenir enfoncé le bouton [SET] pendant 2 secondes pour retourner au menu "MODE1".



---

**Remarque:**

- Exécuter le paramétrage de zone masquée après que "STABILISATEUR" du menu "CAMERA AJUST" soit paramétré sur "OFF".

5. Sélectionner "OUI" ou "OFF" pour le paramètre "ALARME" sous "MODE DE VISU".

**OUI:** Délivre une alarme

**OFF:** Ne délivre pas d'alarme. Ceci est applicable lorsque n'importe lequel des contrôleurs suivants est utilisé: WV-RM70, séries WV-CU550, WV-CU161, WV-CU360, WV-CU650, WV-CU850, WV-CU950

6. Sélectionner "MODE DE VISU" et appuyer sur le bouton [SET] voir les paramétrages qui sont actuellement en vigueur. Quand un mouvement est détecté, la zone clignotera.

- Appuyer sur le bouton [SET] pour retourner au menu "MODE1".

7. Au besoin, refaire le réglage de "NIVEAU" et le paramétrage de "REGLAGE MASQUE" en vérifiant sur l'écran "MODE DE VISU".

---

**Important:**

- Dans les systèmes autres que Panasonic, sélectionner "OFF" pour le paramètre "DÉTECT MVT" pour empêcher toute confusion du signal de code temporel et du signal d'alarme par les dispositifs de système.
- Placer "REGLAGE MASQUE" sur les zones où des feuilles ou des rideaux etc. oscillent.
- Ajuster le niveau de détection pour empêcher que la détection soit faussement interprétée des mouvements et du bruit dans des conditions d'éclairage réduit.
- Il faut environ 0,2 seconde pour que le signal d'alarme parvienne à la borne d'alarme du magnétoscope après la détection.
- La détection de changement de mouvement ou de scène n'est pas spécifiquement destinée à empêcher le vol ou la déclaration d'un incendie.

---

**Détecteur de mouvement**

Le détecteur de mouvement divise l'écran en 48 blocs et contrôle les variations de luminance de chacun des blocs. Quand il détecte le moindre changement (un mouvement) de l'image, il délivre un signal d'alarme. Quand un changement (un mouvement) se produisant dans l'image est détecté pendant le mode automatique, le signal d'alarme est délivré et la caméra vidéo s'arrête dans la position préréglée pendant la durée spécifiée.

**Mode de démonstration**

Le mode démonstration divise l'écran en 48 blocs et contrôle les variations de luminance de chacun des blocs. Il masque également toute partie de l'image où un changement de la luminance pondérée excède le niveau de sensibilité de détection spécifié actuellement en vigueur. Les résultats du mode de démonstration peuvent être utilisés pour déterminer le niveau de sensibilité de détection optimum (échelon 2) et les zones de l'écran qui doivent être masquées (échelon 4).

**À propos du MODE2 de la détection de mouvement**

La caméra vidéo détectera un changement de scène dans les cas suivants.

Quand une pulvérisation sur l'objectif s'est produite ou qu'il est recouvert d'une pièce de tissu, d'un couvercle ou d'un objet similaire.

Lorsque l'orientation de la caméra vidéo change soudainement

---

**Important:**

- La caméra vidéo ne détectera pas de changement de scène dans les cas suivants.
  - Quand une pièce de tissu possédant des motifs recouvre l'objectif et oscille sous l'effet du vent
  - Quand certaines parties de l'écran ne sont pas masquées
  - Lorsque les écrans sont identiques aux motifs de la scène bien que l'orientation de la caméra vidéo ait changée
- La caméra vidéo détectera par erreur un changement de scène dans les cas suivants.
  - Quand un changement évident de luminosité se produit (par expl. Allumage ou extinction de lampes)
  - Lorsque des sujets se déplacent en permanence comme cela se produit dans les véhicules de circulation des rues embouteillées

## 9. Paramétrage de la réduction de bruit numérique (RÉDUCT BRUIT)

Sélectionner un mode "RÉDUCT BRUIT" approprié aux conditions présentées par le site de caméra vidéo. Le réglage implicite a été fait sur "ÉLEVÉ".

**ÉLEVÉ:** Atténue considérablement le bruit bien que cela produise une rémanence d'image en présence de sujets en mouvement.

**BAS:** Atténue légèrement le bruit et produit moins de rémanence d'image.

## 10. Paramétrage de résolution (RÉSOLUTION)

Sélectionner un mode de résolution horizontale. Le réglage implicite a été fait sur "ÉLEVÉ".

**NORMAL:** Une résolution de plus de 480 lignes de télévision est obtenue.

**ÉLEVÉ:** Une résolution caractéristique de 540 lignes de télévision est obtenue bien que cela augmente le bruit lorsque "VISION NUIT" est activé dans des conditions de faible éclairément.

## 11. Paramétrage du mode monochromatique (MODE NB)

1. Sélectionner "MODE NB" dans le menu "CAMERA AJUST" et appuyer sur le bouton [SET].  
→ Le menu "MODE NB" s'ouvre.

2. Sélectionner un mode pour "NB". Le réglage implicite d'usine est fait sur "OFF".  
→ Lorsque "AUTO1" ou "AUTO2" est sélectionné, "NIVEAU" et "DUREE" apparaissent.

**AUTO1:** Applique le mode noir et blanc si l'image est foncée ou en mode couleur si l'image est suffisamment lumineuse.

**AUTO2:** Fonctionne de la même manière que "AUTO1", à l'exception que ceci est appliqué pour un éclairage proche de l'infrarouge. (longueur d'onde  $\geq 800$  nm).

**OUI:** Paramètre le mode en monochromatique.

**OFF:** Paramètre le mode en couleur.

### Remarques:

- Il peut apparaître des cas où "AUTO1" ou bien "AUTO2" ne réagit pas correctement si la caméra vidéo est dirigée vers des sujets se déplaçant en permanence ou quand une scène est remplie d'une teinte unique comme cela se produit avec le ciel bleu.
- Il est possible de paramétrer le mode de tirage arrière pour corriger l'écart de mise au point qui risque de se produire lors d'une commutation de la caméra vidéo entre les modes couleur et noir et blanc. Se référer à la page 103, Détails de paramétrage de tirage arrière.

3. Sélectionner un seuil "NIVEAU" pour commuter entre les modes couleur et noir et blanc. Le réglage implicite a été fait sur "ÉLEVÉ".

**ÉLEVÉ:** Commute en mode sous approximativement Un éclairément de 5 lx.

**BAS:** Commute en mode sous approximativement Un éclairément de 1 lx.

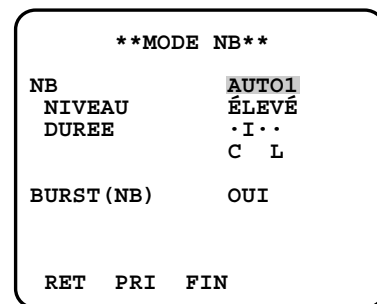
4. Sélectionner une durée spécifiée pour déterminer s'il faut changer de mode. Le réglage implicite est fait sur 30 secondes.

**Durée disponible:** (Court) 10 s ↔ 30 s ↔ 60 s ↔ 300 s (Long)

5. Sélectionner un mode d'impulsion de synchronisation. Le réglage implicite d'usine est fait sur "OUI".

**OUI:** Applique un signal d'impulsion de synchronisation (couleur) avec un signal vidéo composite noir et blanc.

**OFF:** N'applique aucun signal de synchronisation.



### Remarque:

- Il est habituellement recommandé de choisir "OUI". Essayer "OUI" et "OFF" pour faire correspondre les périphériques connectés (enregistreurs, moniteurs vidéo, etc.) possédant des caractéristiques différentes.

## 12. Paramétrage de zone de confidentialité (ZONE PRIVEE)

Exécuter ces paramétrages jusqu'à concurrence de huit zones de confidentialité où l'on souhaite masquer l'écran du moniteur vidéo.

1. Sélectionner "OUI(1)", "OUI(2)" ou "OFF" pour le paramètre "ZONE PRIVEE" à la page 2 du menu "CAMERA AJUST" et appuyer sur le bouton [SET]. Le réglage implicite d'usine est fait sur "OFF".

**OUI (1):** Masque la zone en gris.

**OUI (2):** Masque la zone en mosaïque.

**OFF:** Affiche les images normalement.

→ Le menu de sélection "NUMERO ZONE" s'ouvre.

2. Sélectionner un numéro de zone à la ligne supérieure en utilisant les boutons [LEFT] et [RIGHT] et appuyer sur le bouton [SET]. Tout numéro de zone suivi d'un astérisque (\*) indique que la zone est déjà enregistrée.

→ "POSI", "AIRE" et un encadrement apparaissent sur le menu.

3. Sélectionner "→ APP BOUTON" pour "POSI" et appuyer sur le bouton [SET].

→ La sélection de position est alors possible.

4. Amener la section d'image à masquer jusqu'au centre de l'encadrement en utilisant les boutons [LEFT], [RIGHT], [UP] ou [DOWN].

5. Sélectionner "→ APP BOUTON" pour "AIRE" et appuyer sur le bouton [SET].

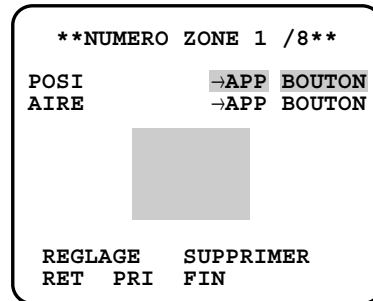
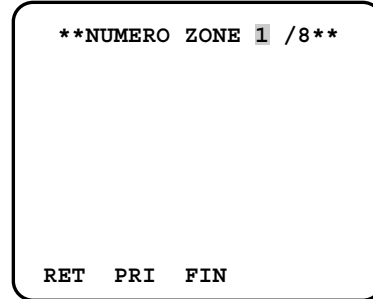
→ Le réglage d'échelle de zone est alors possible.

6. Règle l'échelle de zone en utilisant les boutons [LEFT], [RIGHT], [UP] ou [DOWN].

7. Pour appliquer les paramétrages, amener le curseur jusqu'à "REGLAGE" et appuyer sur le bouton [SET].

→ L'écran revient en menu de sélection de "NUMERO ZONE".

Pour supprimer les paramétrages, sélectionner "SUPPRIMER" et appuyer sur le bouton pour [SET].



## 13. Zoom électronique (ZOOM LEC)

1. Amener le curseur sur "ZOOM ELEC".

2. Sélectionner "OUI" ou "OFF" et appuyer sur les boutons [LEFT] et [RIGHT].

Le réglage implicite d'usine est fait sur "OFF".

**OUI:** Un objectif zoom électronique 2 fois est disponible avec le commutateur ZOOM du contrôleur.

**OFF:** La fonction de zoom électronique est invalidée.

3. Amener le curseur sur "ZOOM ELEC" et appuyer sur le bouton [SET]. Ceci a pour effet de faire apparaître le menu "ZOOM ELEC".

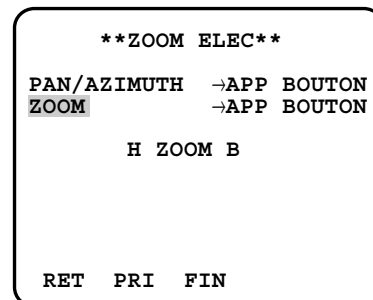
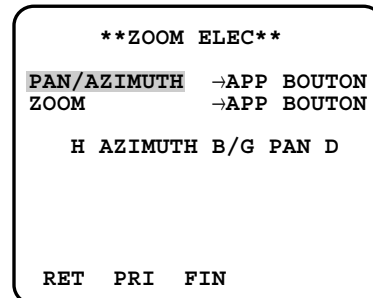
4. Amener le curseur sur "→APP BOUTON" pour "ZOOM" et appuyer sur le bouton [SET] pour afficher le menu de paramétrage "ZOOM".

5. Appuyer sur le bouton [UP] ou [DOWN] pour opérer un rapprochement ou un éloignement de l'image par zoom.

6. Amener le curseur sur "→APP BOUTON" pour "PAN/AZIMUTH" et appuyer sur le bouton [SET]. Ceci a pour effet de faire apparaître le menu de réglage "PAN/AZIMUTH".

7. Appuyer sur le bouton [LEFT], [RIGHT], [UP] ou [DOWN] pour change de champ angulaire de vue.

8. Pour retourner au menu "ZOOM ELEC", appuyer sur le bouton [SET].



## 14. Stabilisateur d'image automatique (STABILISATEUR)

Cette fonction compense électroniquement une image de caméra vidéo instable issue d'un mouvement du pôle d'installation ou de la platine de fixation. Le réglage implicite d'usine est fait sur "OFF".

**OUI:** Compense automatiquement une instabilité d'image.

**OFF:** Le stabilisateur d'image ne sera fonctionnel.

### Important:

- Une fois paramétré sur "OUI", certains pixels effectifs sur le bord de l'analyseur d'image CCD sont utilisés par la fonction de stabilisation. Cela risque de se traduire par une faible réduction de la résolution et de réduire l'angle de vision. Après l'activation de la fonction de stabilisation d'image, vérifier que le champ de vision est normal.
- La stabilisation d'image risque de ne pas fonctionner en présence d'un mouvement excessif de la caméra vidéo ou lorsque la scène est sous faible éclairage ou possède des sujets à faible contraste.

## 15. Paramétrage de diode électroluminescente (LED)

"ON" ou "OFF" est sélectionné pour déterminer s'il faut utiliser ou non la diode électroluminescente située sur le flanc de cet appareil. Le réglage implicite d'usine est fait sur "OUI".

**OUI:** Clignote la diode électroluminescente quand la fonction de détecteur de mouvement (☞ page 99) détecte un changement dans l'image. S'allume dans les cas autres que ce qui précède.

**OFF:** Maintient la diode électroluminescente éteinte.

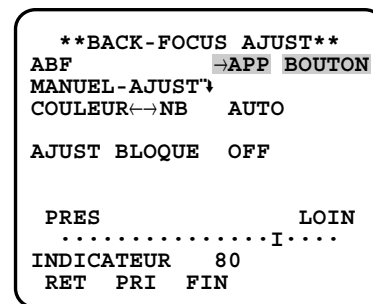
## 16. Paramétrage de tirage arrière (BACK-FOCUS AJUST)

Exécuter le réglage de tirage arrière (foyer arrière: L'espace entre l'objectif et le plan focal) à distance dans ce menu en utilisant un contrôleur de système. Une fois l'installation terminée, il est possible d'exécuter ce réglage quand un écart de mise au point se produit en raison d'une utilisation à long terme, de variations de l'environnement, etc.

### Important:

- Ne pas utiliser la fonction ABF à des fins d'utilisation continue ou répétée (par ex. pour la mise au point automatique etc.). Cette fonction peut être utilisée pour corriger l'écart de mise au point en commandant une commutation entre la couleur et le noir et blanc comme cela est exécuté lors de l'installation ou après l'installation de la caméra vidéo.

1. Sélectionner "BACK-FOCUS" dans le menu d'ouverture et appuyer sur le bouton [SET].  
→ Le menu "BACK-FOCUS AJUST" s'ouvre.
2. Sélectionner "ABF" appuyer sur le bouton [SET].  
→ Le réglage est automatiquement exécuté.



### Remarques:

- L'exécution de ABF permettra d'obtenir la meilleure mise au point possible autour des zones centrales dans la scène.
- La fonction ABF est uniquement disponible lorsque "OFF", "X2 AUTO" ou "X2 FIXE" est sélectionné pour "VISION NUIT".
- L'utilisation de la fonction ABF dans des conditions d'éclairage réduites risque de créer du bruit.

3. Sélectionner "MANUEL-AJUST" et appuyer sur le bouton [SET] quand un réglage manuel est nécessaire. L'écran de réglage de tirage arrière manuel s'ouvre.
  - Se servir de du bouton [LEFT] ou du bouton [RIGHT] pour déplacer le curseur "I" et obtenir la mise au point appropriée.  
→ Se référer au nombre à 4 chiffres de la deuxième ligne en bas de l'écran. Plus le nombre est élevé, meilleure est la mise au point.
  - Sélectionner "RET" et appuyer sur le bouton [SET] pour retourner au menu de configuration.
4. Sélectionner un mode pour "COULEUR ↔ NB". Le réglage implicite d'usine est fait sur "AUTO".

**AUTO:** Règle automatiquement le tirage arrière à chaque fois que la caméra vidéo se commute entre les modes couleur et noir et blanc. La fonction ABF est uniquement disponible lorsque "OFF", "X2 AUTO" ou "X2 FIXE" est sélectionné pour "VISION NUIT".

**PREPO:** Régler le tirage arrière sur les positions de mode couleur et de mode noir et blanc qui sont pré-réglés en exécutant l'étape 2 (automatique) ou l'étape 3 (manuel) sous les conditions d'éclairage respectives.

**FIXE:** Cale le tirage arrière une fois le réglage terminé.

- Sélectionner "OUI" ou "OFF" pour "AJUST BLOQUE". Le réglage implicite d'usine est fait sur "OFF".
  - OFF:** Permet au bouton [SET] pour ouvrir l'écran de réglage de tirage arrière pendant qu'une image de caméra vidéo est affichée.
  - OUI:** Ne permet pas au bouton [SET] d'ouvrir l'écran de réglage de tirage arrière.
- Pour ramener les paramètres de réglage de tirage arrière sur leurs valeurs à réglage implicite, appuyer simultanément sur les boutons [LEFT] et [RIGHT].

**Important:**

- Sélectionner "FIXE" ou "PREPO" et faire un réglage manuel du tirage arrière lorsque le réglage automatique est gêné en raison des conditions suivantes.
  - Accumulation de saletés ou d'eau sur la glace frontale  
Ceci provoque un écart de mise au point sur le sujet placé de l'autre côté de la glace.
  - Sujets placés sous des conditions de faible éclairage
  - Sujets extrêmement lumineux
  - Objet à faible contraste tel qu'un mur blanc ou du feutre fin
  - Sujets placés en bordure d'une scène
  - Plus d'un sujet placé à une certaine profondeur
  - Un sujet possédant une certaine profondeur
  - Sujets constamment en mouvement telles que les rues embouteillées
  - Sujets extrêmement scintillant
  - Sujets composés de lignes parallèles horizontales tel qu'une store de fenêtre
- Panasonic Corporation ne sera pas tenu pour responsable la nuisance, les dommages ou les pertes survenus qui sont dues ou attribuées à paramètres inadaptés à la fonction ABF.

## 17. Menu spécial (AJUST SPECIAL)

Sélectionner "SPECIAL" dans le menu d'ouverture et appuyer sur le bouton [SET].

→ Le menu "AJUST SPECIAL" s'ouvre.

### 17-1. Réglage de niveau de chrominance (GAIN CHROMA)

Amener le curseur "I" pour régler le niveau de chrominance.

### 17-2. Réglage de gain d'ouverture (CONTOURS)

Amener le curseur "I" pour régler le niveau de gain d'ouverture.

Réduire le niveau quand un moirage (sorte de bruit, interférence optique) apparaît sur l'écran en qualité de partie de mire quadrillée précise, etc.

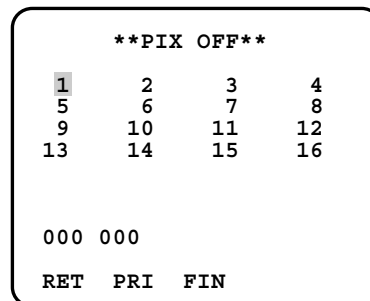
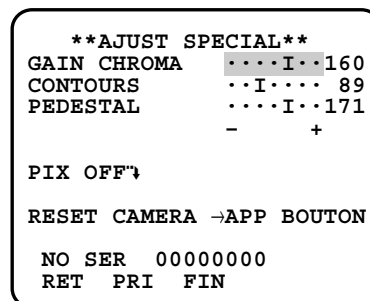
### 17-3. Réglage de niveau de tension constante de signal (PEDESTAL)

Amener le curseur "I" pour régler le niveau de décollement du noir (niveau du noir).

### 17-4. Paramétrage de compensation de pixel (PIX OFF)

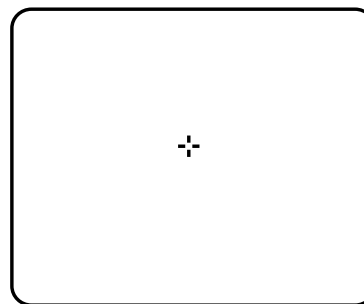
Exécuter les paramètres de compensation pour un nombre maximum de 16 pixels sur le dispositif analyseur d'image comportant des défauts.

- Sélectionner "PIX OFF" appuyer sur le bouton [SET].
  - Le menu "PIX OFF" s'ouvre avec des numéros de 1 à 16.
- Sélectionner un numéro et appuyer sur le bouton [SET].
  - L'écran d'attribution "PIX OFF" s'ouvre avec un curseur +.





3. Amener le curseur au centre de la position possédant une défectuosité jusqu'à ce que l'aspect devienne moins évident. Appuyer finalement sur le bouton [SET].
  - Les positions horizontale et verticale (coordonnées) de la défectuosité seront affichées sous la forme d'un nombre à 6 chiffres à la deuxième ligne en bas de l'écran.
  - La position avec la défectuosité est alors enregistrée pour recevoir une compensation.
  - L'écran retourne au menu "PIX OFF" qui affiche le numéro suivi d'un astérisque s'il a été enregistré.



4. Au besoin, refaire les opérations susmentionnées.
5. Pour supprimer un enregistrement, sélectionner un numéro accompagné d'un astérisque dans le menu "PIX OFF" et appuyer sur le bouton [SET].
  - L'écran d'attribution "PIX OFF" s'ouvre.
  - Appuyer simultanément sur les boutons [LEFT] et [RIGHT] pendant au moins 2 secondes.
  - Le menu "PIX OFF" apparaît et affiche le numéro sans astérisque si son enregistrement a été annulé.

### **17-5. Comment opérer la réinitialisation des réglages sur les réglages par défaut usine (RESET CAMERA)**

1. Sélectionner "RESET CAMERA".
  - "→APP BOUTON" est mis en surbrillance.
2. Appuyer simultanément sur les boutons [LEFT] et [RIGHT] puis appuyer sur le bouton [SET] pendant au moins 2 secondes.
  - Les paramètres de la caméra vidéo seront réinitialisés et ramenés sur leurs paramètres à réglage implicite.

---

**Remarque:**

- Le paramétrage "PIX OFF" ne peut pas être initialisé.
- 

### **17-6. Le numéro de série de cette caméra vidéo sera affiché. (NO SER)**

# Dépannage

Avant de faire une demande de réparation, veuillez vérifier les symptômes mentionnés dans le tableau suivant. Si une panne ne peut pas être corrigée même après avoir vérifié et essayé d'y remédier ou si un problème n'est pas décrit ci-dessous ou en cas de problème d'installation, contacter le distributeur.

Symptôme	Origine/Solution	Pages de référence
Aucune image n'est affichée	<ul style="list-style-type: none"> <li>Le câble d'alimentation et le câble coaxial sont-ils raccordés correctement ? → Vérifier si la connexion est correctement établie.</li> </ul>	86
	<ul style="list-style-type: none"> <li>La luminance du moniteur vidéo est-elle ajustée correctement ou le contraste est-il ajusté correctement ? → Vérifier si les paramètres du moniteur vidéo sont corrects.</li> </ul>	-
Image floue	<ul style="list-style-type: none"> <li>De la poussière ou des saletés se sont-elles accumulées sur l'objectif de caméra vidéo ? → Vérifier si l'objectif de la caméra vidéo est propre.</li> </ul>	-
	<ul style="list-style-type: none"> <li>La mise au point est-elle ajustée correctement ? → Vérifier si la mise au point est ajustée correctement.</li> </ul>	88
La gaine du cordon d'alimentation est endommagée	<ul style="list-style-type: none"> <li>Le cordon d'alimentation sont endommagés. L'utilisation d'un cordon d'alimentation endommagée risque de provoquer une décharge électrique voire un incendie. Couper l'alimentation et demander au distributeur de réparer.</li> </ul>	-
Le cordon d'alimentation chauffe pendant l'utilisation de l'équipement.		
Cordon d'alimentation chaud ou connexion incomplète à la suite d'un cintrage ou d'un allongement pendant l'utilisation de l'appareil.		
La diode électroluminescente n'est pas allumée	<ul style="list-style-type: none"> <li>L'alimentation électrique est-elle fournie à la caméra vidéo ? → Vérifier si l'alimentation électrique est fournie à la caméra vidéo.</li> </ul>	-
	<ul style="list-style-type: none"> <li>"OUI" est-il sélectionné pour le paramétrage de la diode électroluminescente ? → Vérifier si "OUI" est sélectionné pour le paramétrage de la diode électroluminescente.</li> </ul>	103

# Caractéristiques techniques

## ● Caméras couleur CCTV

Source d'alimentation et puissance consommée:	WV-CW384: 24 V c.a. 50 Hz, 18 W, 12 V c.c., 560 mA WV-CW380: 220 V - 240 V c.a., 50 Hz, 14 W
Capteur d'image:	Dispositif à transfert de charges interligne de type à 1/3 de pouce
Pixels effectifs:	752 (H) x 582 (V)
Zone de balayage:	4,8 mm (H) x 3,6 mm (V)
Système de balayage:	2:1 entrelacé
Fréquence de scannage:	Horizontale: 15,625 kHz, Verticale: 50,00 Hz
Synchronisation:	Signal de commande multiplexé (VD2), verrouillage trames et réseau (SECTEUR), interne (INT)
Résolution:	Horizontale: 570 lignes de télévision (mode monochromatique), 540 lignes de télévision caractéristiques, 520 ligne de télévision (mode couleur, résolution: ÉLEVÉ) Verticale: 400 lignes de télévision (mesurées au centre)
Éclairage minimum:	Mode couleur: 0,65 lx (accroissement de la sensibilité OFF, CAG ÉLEVÉ: F1,6, WIDE) 0,065 lx (accroissement de la sensibilité 10x, CAG ÉLEVÉ: F1,6, WIDE) Mode NB: 0,09 lx (accroissement de la sensibilité OFF, CAG ÉLEVÉ: F1,6, WIDE) 0,009 lx (accroissement de la sensibilité 10x, CAG ÉLEVÉ: F1,6, WIDE) * Valeur convertie
Rapport signal-sur-bruit :	54 dB (CAG désactivé)
Gamme dynamique:	54 dB typ
Sortie vidéo:	Signal vidéo composite PAL 1,0 V[P-P]/75 Ω, connecteur BNC
Sortie de moniteur vidéo:	Signal vidéo composite PAL 1,0 V[P-P]/ 75 Ω, mini-fiche ø3,5 mm (monaurale)
Fonctions	
Titre de caméra vidéo:	Nombre maximum de 16 caractères (caractères alphanumériques, symboles)
Contrôle de lumière:	ALC
Super-Dynamic 3:	OUI/OFF
Vitesse d'obturation électronique:	OFF(1/50), 1/120, 1/250, 1/500, 1/1 000, 1/2 000, 1/4 000, 1/10 000
Contrôle de gain:	OUI (ÉLEVÉ)/OUI (MOYEN)/OUI (BAS)/OFF
Accroissement de la sensibilité:	OFF, X2 AUTO, X4 AUTO, X6 AUTO, X10 AUTO, X2 FIXE, X4 FIXE, X6 FIXE, X10 FIXE, X16 FIXE, X32 FIXE
Synchronisation:	VD2/SECEUR/INT
Balance des blancs:	BAL BLC PERM1/BAL BLC PERM2/BLANCS MEMO
Détection de mouvement vidéo:	MODE1/MODE2/OFF
Réduction de bruit numérique:	ÉLEVÉ/BAS
Résolution:	NORMAL/ÉLEVÉ
Couleur/Noir et blanc:	AUTO1/AUTO2/OUI/OFF
Zone de confidentialité:	OUI(1)/OUI(2)/OFF
Zoom électronique:	OUI*/OFF (* Jusqu'à 2x)
Stabilisateur d'image:	OUI/OFF
Diode électroluminescente:	OUI/OFF
Foyer arrière:	ABF (AUTO/PREPO/FIXE), MANUEL-AJUST
Spécial:	GAIN CHROMA, CONTOURS, PEDESTAL, PIX OFF
Langue:	ENGLISH, FRANÇAIS, ESPAÑOL, DEUTSCH, ITALIANO, РУССКИЙ, CHINESE ou JAPANESE
Température ambiante de service:	-30 °C à +50 °C* * -10 °C - +50 °C sur 12 V de courant continu
Humidité ambiante de service:	90 % ou moins (sans condensation)
Résistance à l'eau:	Caméra vidéo: IEC60529 (IP66, contre l'infiltration d'eau avec des effets nocifs sous une puissance pulvérisation à l'eau)* * Ceci n'est applicable que lorsque l'installation et le traitement d'étanchéité ont été exécutés correctement
Dimensions:	82 (L) mm x 78 (H) mm x 301 (P) mm
Poids:	1,5 kg
Finition:	Couvercle à objectif: Moulage d'aluminium avec un revêtement argent métallique Boîtier principal: Résine AES avec un revêtement argent métallique

## I Objectif

Longueur focale:	f=5 mm - 40 mm (Objectif 8 fois à focale variable)
Nombre F:	F1,6 (WIDE) - F1,9 (TELE)
Limites de mise au point:	$\infty$ - 1,2 m
Angle de vue:	Horizontale: 6,6 ° (TELE) - 52,0 ° (WIDE) Verticale: 5,6 ° (TELE) - 39,0 ° (WIDE)

## ● Platine de fixation de caméra vidéo

Angle de réglage:	Limites de balayage panoramique: $\pm 100^\circ$ Limites d'inclinaison: $+30^\circ$ , $-90^\circ$
Dimensions:	125 (L) mm x 125 (H) mm x 143 (P) mm
Poids:	240 g
Finition:	Moulage d'aluminium avec un revêtement argent métallique

## ● Boîtier adaptateur

Dimensions:	133 (L) mm x 133 (H) mm x 50 (P) mm
Poids:	510 g
Finition:	Moulage d'aluminium avec un revêtement argent métallique

Les poids et dimensions indiqués sont approximatifs.

## Accessoires standard

Instructions d'utilisation (présent document).....	1 él.
Les éléments suivants sont destinés à l'installation.	
Platine de fixation de caméra vidéo.....	1 él.
Couvercle de platine de fixation.....	2 él.
Visière pare-soleil.....	1 él.
Douille de trépied.....	1 él.
Boîtier d'adaptateur.....	1 él.
Vis de fixation de caméra vidéo (M4 x 8).....	4 él.
(une vis de fixation supplémentaire fournie)	
Vis de couvercle de platine de fixation (M3 x 6).....	3 él.
(une vis de fixation supplémentaire fournie)	
Vis de fixation de boîtier adaptateur (M4 x 35).....	1 él.
Vis de montage pour le boîtier d'adaptation/platine de fixation de caméra vidéo (M5 X 20).....	5 él.
(une vis de fixation supplémentaire fournie)	
Vis de fixation de visière pare-soleil (M3 x 6).....	5 él.
(une vis de fixation supplémentaire fournie)	
Vis de fixation pour douille de trépied (M3 x 8).....	4 él.
Déshydratant.....	1 él.
Bande imperméable à l'eau.....	1 él.

## Informations relatives à l'évacuation des déchets, destinées aux utilisateurs d'appareils électriques et électroniques (appareils ménagers domestiques)



Lorsque ce symbole figure sur les produits et/ou les documents qui les accompagnent, cela signifie que les appareils électriques et électroniques ne doivent pas être jetés avec les ordures ménagères.

Pour que ces produits subissent un traitement, une récupération et un recyclage appropriés, envoyez-les dans les points de collecte désignés, où ils peuvent être déposés gratuitement. Dans certains pays, il est possible de renvoyer les produits au revendeur local en cas d'achat d'un produit équivalent.

En éliminant correctement ce produit, vous contribuerez à la conservation des ressources vitales et à la prévention des éventuels effets négatifs sur l'environnement et la santé humaine qui pourraient survenir dans le cas contraire.

Afin de connaître le point de collecte le plus proche, veuillez contacter vos autorités locales.

Des sanctions peuvent être appliquées en cas d'élimination incorrecte de ces déchets, conformément à la législation nationale.

### Utilisateurs professionnels de l'Union européenne

Pour en savoir plus sur l'élimination des appareils électriques et électroniques, contactez votre revendeur ou fournisseur.

### Informations sur l'évacuation des déchets dans les pays ne faisant pas partie de l'Union européenne

Ce symbole n'est reconnu que dans l'Union européenne.

Pour vous débarrasser de ce produit, veuillez contacter les autorités locales ou votre revendeur afin de connaître la procédure d'élimination à suivre.

# VERSION ESPAÑOLA

(SPANISH VERSION)

## ADVERTENCIA:

- Debe hacerse la toma de tierra de este aparato.
- Solicite todo el trabajo de instalación de este aparato a personal de servicio técnico cualificado o a los instaladores del sistema.
- Las conexiones deben cumplir las regulaciones locales sobre electricidad.

## PRECAUCIÓN:

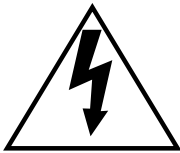
Antes de intentar la conexión o la operación de este aparato, lea la etiqueta de la parte inferior.



**CAUTION**  
RISK OF ELECTRIC SHOCK  
DO NOT OPEN



**ATENCIÓN: PARA REDUCIR EL RIESGO DE SACUDIDAS ELÉCTRICAS, NO quite la tapa superior (ni trasera). NO HAY NINGUNA PIEZA SUSCEPTIBLE A MANTENIMIENTO POR EL USUARIO. SOLICITE LOS SERVICIOS TÉCNICOS A PERSONAL CUALIFICADO.**



El símbolo del relámpago con cabeza de flecha, dentro de un triángulo equilátero, tiene la función de llamar la atención del usuario a la presencia de "tensión peligrosa" no aislada dentro de la caja del producto que puede ser de intensidad suficiente para constituir un riesgo de sacudidas eléctricas a las personas.



El símbolo del punto de exclamación dentro de un triángulo equilátero tiene la función de llamar la atención del usuario a la presencia de importantes instrucciones de mantenimiento (servicio) en la literatura que acompaña el equipo.

Desconecte la alimentación desenchufando el cable de la toma de corriente para desconectar la alimentación principal de todas las unidades.

## PRECAUCIÓN:

En la instalación eléctrica del edificio deberá incorporarse un INTERRUPTOR PRINCIPAL CON TODAS LAS POLARIDADES con una separación de contacto de 3 mm como mínimo en cada polaridad.

## PARA SU PROPIA SEGURIDAD, LEA CON ATENCIÓN EL TEXTO SIGUIENTE.

**ATENCIÓN: Este aparato deberá tener hecha la toma de tierra.**

### IMPORTANTE

Los conductores de este cable de la alimentación están coloreados de acuerdo con el código siguiente.

Verde y amarillo:	Tierra
Azul:	Neutro
Marrón:	Activo

Puesto que es posible que los colores de los conductores del cable de la alimentación de este aparato no correspondan con las marcas de color que identifican los terminales de su clavija, realice lo siguiente.

El conductor de color **verde y amarillo** debe conectarse al terminal de la clavija que esté marcado con la letra **E** o con el símbolo de toma de tierra  $\perp$  o que sea de color **verde** o **verde y amarillo**.

El conductor de color **azul** debe conectarse al terminal de la clavija que esté marcado con la letra **N** o que sea de color **negro**.

El conductor de color **marrón** debe conectarse al terminal de la clavija que esté marcado con la letra **L** o que sea de color **rojo**.

Nosotros declaramos bajo nuestra única responsabilidad que el producto a que hace referencia esta declaración está conforme con las normas u otros documentos normativos siguiendo las estipulaciones de las directivas 2006/95/CE y 2004/108/CE.

El número de serie de este producto está estampado en la superficie de la unidad.

Asegúrese de apuntar el número de serie de este aparato en el blanco señalado y de guardar este manual de instrucciones como un registro permanente de su compra para ayudar la identificación en el caso de robo.

Nº de modelo \_\_\_\_\_

Nº de serie \_\_\_\_\_

# ÍNDICE

Instrucciones importantes de seguridad .....	112
Limitación de responsabilidades .....	113
Renuncia de la garantía .....	113
Prefacio .....	114
Características .....	114
Precauciones .....	115
Controles principales de operación y sus funciones .....	116
Precauciones para la instalación .....	117
Instalaciones/Conexiones .....	118
■ Preparativos .....	118
■ Instalación de la cámara .....	118
Acerca de los menús de configuración .....	129
■ Operación básica .....	130
Procedimientos de ajuste .....	131
Configuración del idioma (LANGUAGE SETUP) .....	131
1. Ajuste de la identificación de la cámara (CÁMARA ID) .....	131
2. Ajuste del modo de control de la iluminación (ALC) .....	132
3. Ajuste de la velocidad del obturador (OBTURADOR) .....	133
4. Ajuste del control de la ganancia (AGC) .....	134
5. Mejora de la sensibilidad electrónica (SENS UP) .....	134
6. Ajuste de la sincronización (SINC) .....	134
7. Ajuste del equilibrio del blanco (BAL.BLAN.) .....	135
8. Ajuste de la detección de movimiento (DETEC.MOV.) .....	135
9. Ajuste de la reducción de ruido digital (REDUCT.RUIDO) .....	137
10. Ajuste de la resolución (RESOLUCIÓN) .....	137
11. Ajuste del modo de blanco y negro (MODO B/N) .....	137
12. Ajuste de zonas privadas (ZONA PRIVADA) .....	138
13. Zoom electrónico (ZOOM EL) .....	138
14. Estabilizador automático de la imagen (ESTABILIZADOR) .....	139
15. Ajuste de LED (LED) .....	139
16. Ajuste del enfoque posterior (CONFIG.PLANO FOCAL) .....	139
17. Menú especial (CONFIG.ESPECIAL) .....	140
Solución de problemas .....	142
Especificaciones .....	143
Accesorios estándar .....	144

# Instrucciones importantes de seguridad

- 1) Lea este manual de instrucciones.
- 2) Guarde este manual de instrucciones.
- 3) Observe todas las advertencias.
- 4) Siga todas las instrucciones.
- 5) Límpielo sólo con un paño seco.
- 6) No bloquee ninguna de las aberturas de ventilación. Instálelo de acuerdo con las instrucciones del fabricante.
- 7) No lo instale cerca de fuentes de calor como puedan ser radiadores, calefactores, estufas u otros aparatos (incluyendo amplificadores) que produzcan calor.
- 8) No elimine el propósito de seguridad de la clavija polarizada o del tipo de toma de tierra. Una clavija polarizada tiene dos cuchillas, una más ancha que la otra. Una clavija del tipo de toma de tierra tiene dos cuchillas y un tercer saliente para toma de tierra. La cuchilla ancha o el tercer saliente se incorporan para su seguridad. Si la clavija suministrada no se acopla a la toma de corriente, solicite a un electricista que le reemplace la toma de corriente anticuada.
- 9) Proteja el cable de alimentación para que no pueda ser pisado ni pellizcado, especialmente por la parte de las clavijas, por los enchufes de extensión y por el punto por donde salen del aparato.
- 10) Utilice sólo los acopladores/accesorios especificados por el fabricante.
- 11) Empléelo solo en el carrito, soporte, trípode, ménsula o mesa especificados por el fabricante, o vendidos con el aparato. Cuando se emplee un carrito, tenga cuidado cuando mueva la combinación del carrito con el aparato para evitar heridas debidas a caídas del aparato.



- 12) Desenchufe el aparato durante tormentas con rayos o cuando se proponga dejarlo sin utilizar durante períodos prolongados de tiempo.



## Limitación de responsabilidades

ESTA PUBLICACIÓN SE SUMINISTRA "TAL Y COMO ESTÁ", SIN NINGÚN TIPO DE GARANTÍA, YA SEA EXPRESA O IMPLÍCITA, INCLUYENDO, PERO SIN LIMITARSE POR ELLO, LAS GARANTÍAS IMPLÍCITAS DE COMERCIALIZACIÓN, APTITUD PARA CUALQUIER APLICACIÓN EN PARTICULAR, Y SIN INFRINGIR LOS DERECHOS DE TERCERAS PERSONAS.

ES POSIBLE QUE ESTA PUBLICACIÓN CONTenga IMPRECISIONES TÉCNICAS O ERRORES TIPOGRÁFICOS. SUJETA A LA ADICIÓN DE CAMBIOS DE ESTA INFORMACIÓN, EN CUALQUIER MOMENTO, POR MOTIVOS DE MEJORA DE ESTA PUBLICACIÓN Y/O DEL (DE LOS) PRODUCTO(S) CORRESPONDIENTE(S).

## Renuncia de la garantía

Panasonic Corporation NO ACEPTA NINGÚN TIPO DE RESPONSABILIDAD CON PERSONAS LEGALES O FÍSICAS, A EXCEPCIÓN DEL REEMPLAZO O MANTENIMIENTO RAZONABLE DEL PRODUCTO, PARA LOS CASOS INCLUIDOS A CONTINUACIÓN, PERO SIN LIMITARSE A ELLOS:

- (1) NINGÚN DAÑO O PÉRDIDA, INCLUYENDO PERO SIN LIMITARSE POR ELLO, LOS DIRECTOS O INDIRECTOS, ESPECIALES, CONSECUENTES O PUNITIVOS, QUE PUEDAN SURGIR O ESTAR RELACIONADOS CON EL PRODUCTO;
- (2) HERIDAS PERSONALES NI NINGÚN TIPO DE DAÑO CAUSADO POR EL EMPLEO INADECUADO O LA OPERACIÓN NEGLIGENTE DEL USUARIO;
- (3) DESMONTAJE, REPARACIÓN O MODIFICACIÓN NO AUTORIZADOS DEL PRODUCTO POR EL USUARIO;
- (4) INCONVENIENCIAS O CUALQUIER TIPO DE PÉRDIDA DEBIDO A QUE NO SE VISUALIZAN LAS IMÁGENES, DEBIDO A CUALQUIER MOTIVO O CAUSA, INCLUYENDO CUALQUIER FALLA O PROBLEMA DEL PRODUCTO;

(5) NINGÚN PROBLEMA, INCONVENIENCIA CONSECUENTE, PÉRDIDAS NI DAÑOS QUE PUEDAN SURGIR POR HABER COMBINADO EL SISTEMA CON DISPOSITIVOS DE OTRAS MARCAS;

(6) CUALQUIER ACCIÓN O SOLICITUD DE COMPENSACIÓN POR DAÑOS, PRESENTADA POR CUALQUIER PERSONA U ORGANIZACIÓN QUE HAYA SIDO FOTOGRAFIADA, DEBIDO A LA VIOLACIÓN DE LA PRIVACIDAD PORQUE UNA IMAGEN DE LA CÁMARA DE VIGILANCIA, INCLUYENDO LOS DATOS ALMACENADOS, SE HA HECHO PÚBLICA O SE EMPLEA PARA OTROS PROPÓSITOS QUE NO SON DE VIGILANCIA.

## Prefacio

Las cámaras Panasonic WV-CW384 y WV-CW380 presentan alta calidad de imagen gracias a la utilización de CCD del tipo de 1/3 pulgadas Súper Dinámico y a los circuitos LSI de proceso de señales digitales. Estas cámaras están diseñadas para ser instaladas en la pared o en el techo, empleando la ménsula de montaje de la cámara suministrada.

## Características

### **Presentación de SUPER-D3 (función súper dinámica)**

Con la integración de SUPER-D3 en el CCD y el circuito de proceso de señales se ha logrado una gama dinámica aproximadamente 160 veces superior en comparación con las cámaras convencionales. Por lo tanto, puede visualizarse con naturalidad como una imagen cualquier motivo fotográfico en el que haya una gran diferencia de iluminación entre las zonas claras y las oscuras.

### **Provista de la función de distancia focal posterior automática (ABF)**

El ajuste de la distancia focal posterior podrá efectuarse con los botones de operación de esta unidad y el menú de configuración.

La distancia focal posterior puede ajustarse a distancia con el controlador del sistema (opcional) incluso después de la instalación de esta unidad. La función de distancia focal posterior también permite al usuario corregir el enfoque cuando cambia entre imágenes de blanco y negro a imágenes de color.

### **Gracias a la función de reducción de ruido se obtiene alta sensibilidad**

Con la introducción del diseño del circuito de bajo ruido se ha conseguido una excelente sensibilidad alta gracias a la luminancia mínima de 0,65 lux en el modo de color y de 0,09 lux en el modo de blanco y negro.

### **Provista de la función de activación de imágenes monocromáticas por la noche**

No se requiere ninguna operación por la noche porque la imagen cambia automáticamente del modo de color al modo de blanco y negro cuando hay poca luminancia.

### **Provista de la función del detector de movimiento**

Si se observa movimiento en el monitor, si se cubre la cámara con una tela, una tapa, o algo semejante, o si se cambia la orientación de la cámara durante la monitorización, se emite una señal de alarma.

# Precauciones

## Este aparato no tiene interruptor de alimentación.

La alimentación se suministra desde un dispositivo de alimentación exterior de 12 V CC/24 V CA (WV-CW384) ó 220 V a 240 V CA (WV-CW380). Para la conexión/desconexión de la alimentación, consulte al personal de servicio.

## Para poder seguir utilizándolo con un funcionamiento estable

- Si se utiliza el aparato en lugares sometidos a altas temperaturas y alta humedad, se correrá el peligro de deterioro de partes de este aparato y de reducción de su vida útil de servicio.  
No exponga el producto a calor excesivo como pueda ser cerca de una estufa.
- Emplee este aparato a temperaturas de  $-30\text{ }^{\circ}\text{C}$  a  $+50\text{ }^{\circ}\text{C}$ \*, y a menos del 90 % de humedad.  
\*  $-10\text{ }^{\circ}\text{C}$  a  $+50\text{ }^{\circ}\text{C}$  a 12 V CC

## No permita que se introduzcan objetos metálicos por las ranuras.

Esto podría dañar permanentemente el aparato. Desconecte inmediatamente la alimentación y solicite el servicio a personal de servicio cualificado.

## No frote los bordes de las partes metálicas con las manos.

Si no sigue esta indicación, correrá peligro de heridas.

## No intente desmontar este aparato.

Para evitar descargas eléctricas, no extraiga los tornillos ni las cubiertas.

No hay partes en el interior que pueda reparar el usuario. Solicite todo el servicio técnico a personal cualificado.

## Manipule el aparato con cuidado.

No abuse de este aparato. Procure que no se golpee, vibre, etc.

El aparato podría resultar dañado por la manipulación o almacenaje indebidos.

## Limpieza del cuerpo del aparato

Antes de limpiar este aparato desconecte la alimentación. Emplee un paño seco para limpiar el aparato. No emplee detergentes abrasivos fuertes para limpiar el cuerpo del aparato. En el caso de suciedad persistente, emplee un detergente poco concentrado y frote con cuidado. Luego, limpie quitando el detergente que haya quedado con un paño seco.

De lo contrario, podría producirse decoloración. Cuando emplee un paño químicamente tratado para la limpieza, lea las precauciones adjuntas al producto químicamente tratado.

## Limpie el objetivo con cuidado.

No limpie el objetivo con detergentes fuertes o abrasivos. Emplee tisúes para lentes o un dispositivo con algodón humedecido en etanol.

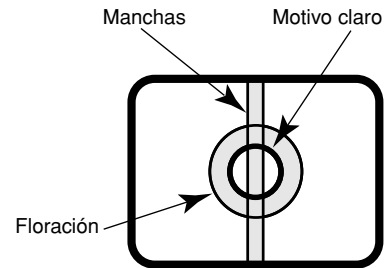
## Decoloración del filtro de color de CCD

Cuando se filme continuamente una fuente de luz potente, como pueda ser un foco, puede deteriorarse el filtro de color del CCD y puede producirse decoloración.

Incluso cuando se cambie la dirección de filmación fija después de filmar continuamente un foco durante cierto período de tiempo, es posible que permanezca la decoloración.

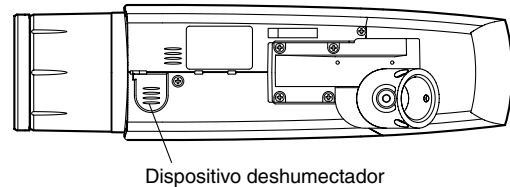
## No oriente el aparato a fuentes de iluminación potente.

Las luces potentes, como la de un foco, causan floración (dispersión de la luz) o borrosidad (franjas verticales).



## Acerca del dispositivo deshumectador

- Este aparato está provisto de un dispositivo deshumectador para mantener un bajo nivel de humedad en el interior, y evitar así la condensación de humedad mediante la disipación de la humedad producida.
- La condensación de la humedad se produce según las condiciones de la temperatura, humedad, viento, y lluvia, y el dispositivo puede tardar cierto tiempo en disiparla.
- No estanque nunca las superficies del dispositivo deshumectador.



## Desconecte el disyuntor del circuito que suministra alimentación al aparato cuando se encuentre con condiciones anormales.

## No emplee este aparato fuera de los márgenes especificados de temperatura, humedad y de alimentación eléctrica.

Emplee este aparato a temperaturas de  $-30\text{ }^{\circ}\text{C}$  a  $+50\text{ }^{\circ}\text{C}$ \*, y a menos del 90% de humedad. La fuente de alimentación de entrada es de 12 V CC/24 V CA (WV-CW384) ó 220 V a 240 V CA (WV-CW380).

\*  $-10\text{ }^{\circ}\text{C}$  a  $+50\text{ }^{\circ}\text{C}$  a 12 V CC

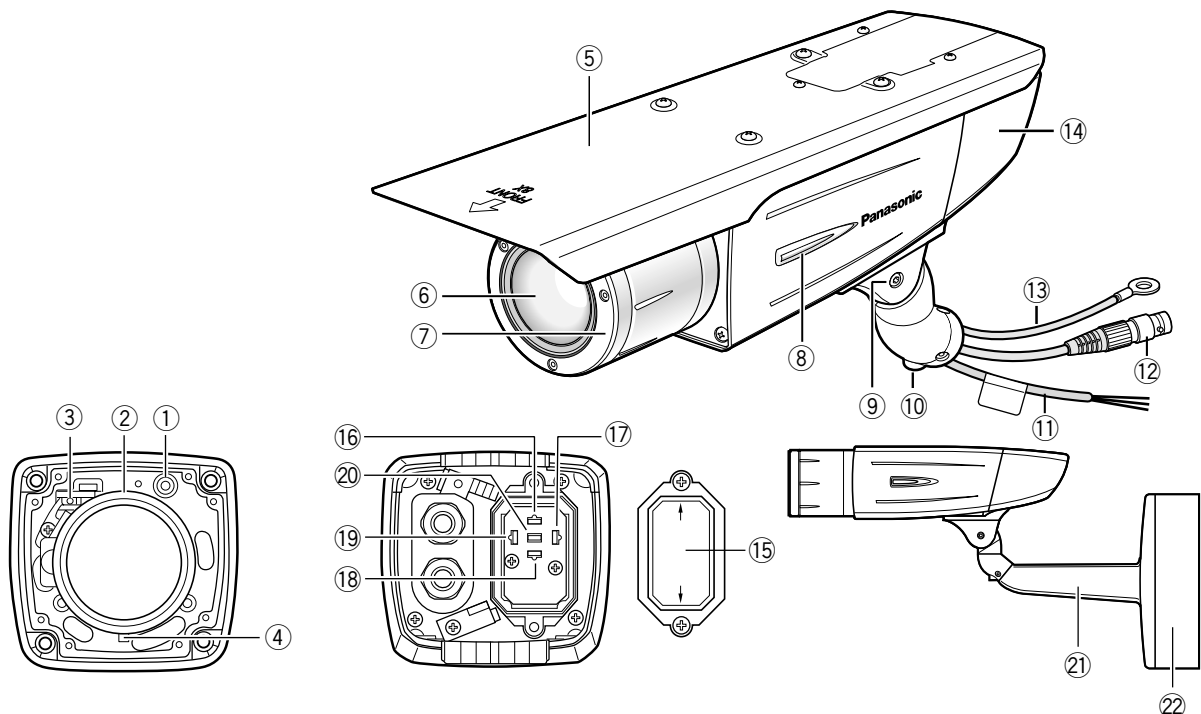
## Utilización a bajas temperaturas

- Para operar la cámara a temperaturas de  $-10\text{ }^{\circ}\text{C}$  o más bajas, la cámara tardará 30 o más minutos en calentarse después de haberse conectado la alimentación.
- Es posible que se perturben las imágenes porque el calefactor incorporado se activa y desactiva automáticamente debido a los cambios del entorno de utilización.

## Qué hay que hacer si aparece OVER HEAT en la pantalla.

Este mensaje indica que el interior del aparato se ha calentado mucho. Desconecte inmediatamente el aparato y póngase en contacto con su distribuidor.

# Controles principales de operación y sus funciones



**① Toma de salida de monitor (minitoma de 3,5 mm de diámetro (monofónica))**

Sirve para la conexión a un monitor para ajustar el ángulo de visión y el enfoque.

**② Anillo de ajuste del zoom**

Ajusta la posición del zoom. (☞ página 124)

**③ Botón de enfoque posterior automático**

Activa la función enfoque posterior automático.

**④ Dispositivo de bloqueo del enfoque**

Bloquea el punto focal. (☞ página 124)

**⑤ Protector contra el sol (accesorio)**

**⑥ Vidrio frontal**

**⑦ Cubierta del objetivo**

Protege el objetivo. La cubierta del objetivo se extrae para realizar el ajuste del objetivo. Después de haber realizado el ajuste del objetivo, deberán apretarse con seguridad los tornillos de fijación. (☞ página 123)

**⑧ LED**

Se enciende, parpadea, o se apaga de acuerdo con los ajustes. (☞ página 139)

**⑨ Tornillo de bloqueo de inclinación**

Bloquea la posición de inclinación. (☞ página 123)

**⑩ Tornillo de bloqueo de panoramización**

Bloquea la posición de panoramización. (☞ página 123)

**⑪ Cable de alimentación**

**Precaución:**

- Este cable suministra las alimentaciones desde una fuente de alimentación exterior de 12 V CC/24 V CA (WV-CW384) ó 220 V a 240 V CA (WV-CW380).

**⑫ Cable de salida de vídeo**

**⑬ Cable de seguridad**

**⑭ Cubierta trasera**

**⑮ Cubierta del interruptor**

Esta cubierta se extrae para operar los botones de operación. Después de haber operado los botones, deberán apretarse con seguridad los tornillos de fijación. (☞ página 125)

**⑯ - ⑳ Botones de operación**

**⑯ Botón de arriba (UP)**

**⑰ Botón de derecha (RIGHT)**

**⑱ Botón de abajo (DOWN)**

**⑲ Botón de izquierda (LEFT)**

**⑳ Botón de ajuste (SET)**

**㉑ Ménsula de montaje de la cámara (accesorio)**

**㉒ Caja del adaptador (accesorio)**

# Precauciones para la instalación

## Lugar de instalación

Póngase en contacto con su abastecedor para que le ayude si usted no está seguro de un lugar apropiado para su entorno en particular.

Asegúrese de que el lugar de instalación sea suficientemente fuerte como para sostener el aparato, como pueda ser un techo de hormigón. Cuando el área de instalación no sea suficientemente resistente, refuércela.

## No efectúe la instalación de este aparato en los lugares siguientes.

- Lugares en los que se empleen productos químicos como en las piscinas
  - Lugares sujetos a vapor o humo de aceite como en la cocina
  - Lugares que estén cerca de gases inflamables o vapor
  - Lugares en los que se produzca emisiones de radiación o de rayos X
  - Lugares expuestos a campos magnéticos o a ondas de radio potentes
  - Lugares en los que se produzcan gases corrosivos
  - Lugares en los que pueda dañarse debido al aire con salitre como en la costa del mar
  - Lugares en los que la temperatura no esté dentro del margen de  $-30\text{ °C}$  a  $+50\text{ °C}^*$ .
- \*  $-10\text{ °C}$  a  $+50\text{ °C}$  a 12 V CC
- Lugares sujetos a vibraciones (este producto no está diseñado para ser empleado en vehículos.)

## Asegúrese de desmontar el aparato si no lo utiliza.

### Equilibrio del blanco

Es posible que no se pueda ajustar el correcto equilibrio del blanco en los casos siguientes:

- Cuando el motivo es casi blanco del todo o casi de un mismo color
- Cuando el motivo está al aire libre por la mañana o la tarde o en situaciones con poca iluminación
- Cuando el motivo está en un lugar con temperaturas de color muy distintas (por ejemplo, bajo iluminación de color)

## Mantenga el cable de salida de vídeo apartado del cable de la luz.

Si no se sigue esta indicación, puede producirse ruido.

### Interferencias de radio

Cuando se emplea el aparato cerca de una antena de TV/radio, de un campo eléctrico o campo magnético potentes (cerca de un motor o de un transformador), es posible que se distorsionen las imágenes y que se produzca sonido de ruido. En estos casos, pase el cable de la cámara por tubos especializados.

## Tornillos de montaje

Sólo se suministran los tornillos de fijación para fijar el aparato con la ménsula de montaje suministrada. Es necesario tener tornillos o pernos para montar el aparato. Prepárelos de acuerdo con el material y la resistencia del lugar donde deba instalarse el aparato.

Los tornillos y pernos deben apretarse a la torsión de apriete apropiada de acuerdo con el material y la resistencia del lugar de instalación. Después de haber apretado los tornillos o pernos, efectúe una comprobación visual para asegurarse de que estén bien apretados y que no haya contragolpe.

## Tubos para cables

Si este aparato debe funcionar al aire libre, instale sin falta tubos de conexión y pase los cables por los tubos para protegerlos contra las heladas y la luz directa del sol.

**Precaución:**

CONÉCTELO A UNA TOMA DE ALIMENTACIÓN DE 24 V CA ó 12 V CC DE CLASE 2 SOLAMENTE. (WV-CW384)

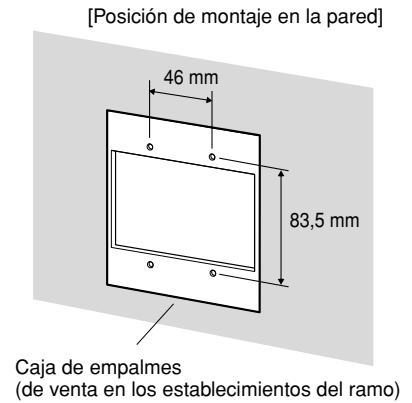
## ■ Preparativos

La cámara puede montarse de cualquiera de las formas siguientes.

- Para montar la cámara directamente en la pared
- Para montar la cámara en la pared empleando una caja de adaptador

**Nota:**

- Los tornillos que fijan la ménsula de montaje de la cámara a la pared no están incluidos. Prepare los tornillos de acuerdo con el material, estructura, resistencia y otros factores del lugar de montaje y del peso total de los objetos que deban montarse.

**Importante:**

- Prepare los tornillos de montaje de acuerdo con el material del lugar donde deba instalarse la ménsula de montaje de la cámara. En este caso, no deberán emplearse tornillos ni clavos para madera. Torsión de apriete recomendada M4: 1,6 N·m
- La capacidad de tiro necesaria para un tornillo/perno es de 196 N o más.
- Si el techo es demasiado débil, como el de planchas de yeso, para soportar todo el peso, deberá reforzarse suficientemente el lugar.
- Cuando emplee la caja del adaptador suministrada, asegúrese de que las ranuras de desagüe no estén encaradas hacia arriba.

## ■ Instalación de la cámara

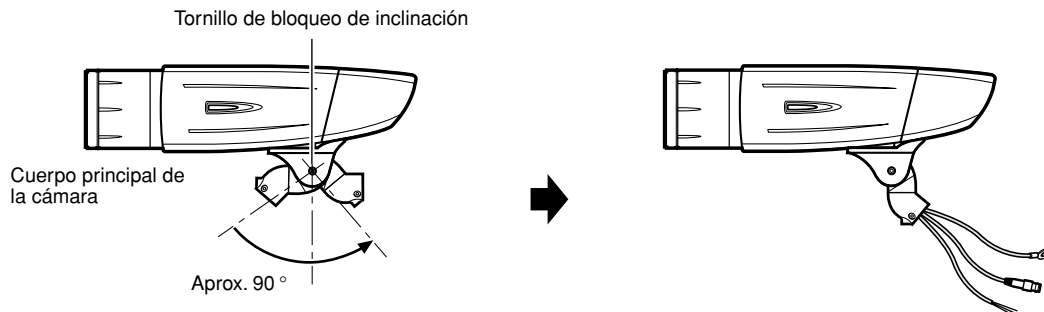
### 1 Fije la cámara en la ménsula de montaje de la cámara

El ángulo de inclinación está bloqueado hacia abajo para el transporte.

1. Afloje aproximadamente 1 vuelta el tornillo de bloqueo de la inclinación y ajuste el ángulo de inclinación de la cámara a la posición horizontal.
2. Apriete de nuevo el tornillo de bloqueo de la inclinación después de haber ajustado el ángulo de inclinación.

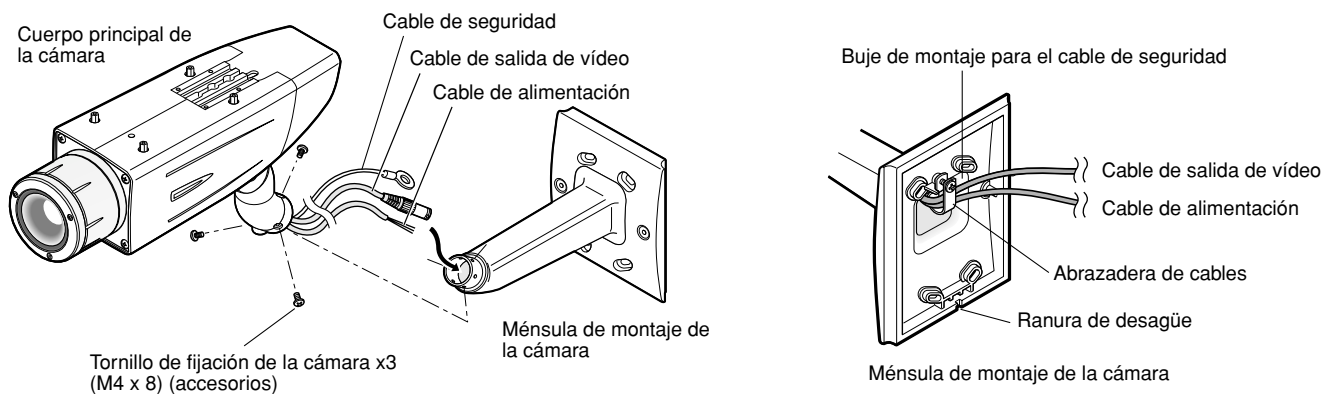
**Nota:**

- Emplee una llave hexagonal con una anchura entre aristas de 4 mm (de venta en los establecimientos del ramo) para aflojar o apretar el tornillo de bloqueo de la inclinación.



3. Pase el cable de salida de vídeo, el cable de alimentación y el cable de seguridad por la ménsula de montaje de la cámara desde el lado de la cámara al lado de la pared y emplee la abrazadera de cables para agrupar los cables y el alambre.

4. Fije la cámara en la ménsula de montaje de la cámara con los 3 tornillos de fijación de la cámara (accesorios).



5. Extraiga el tornillo del buje de montaje para el cable de seguridad de la ménsula de montaje de la cámara y fije el cable de seguridad con el tornillo.

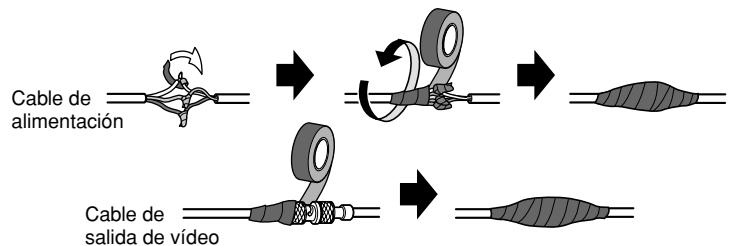
**Importante:**

- Asegúrese de que el cable de seguridad esté firmemente fijado. Torsión de apriete recomendada: 0,59 N·m

**Importante:**

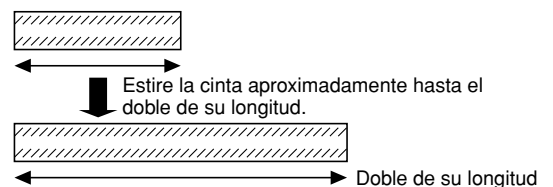
<Tratamiento impermeable>

- Para instalar este aparato al aire libre, asegúrese de impermeabilizar los cables. El cuerpo principal de la cámara es impermeable, pero la ménsula de montaje y la caja del adaptador no son impermeables.
- Para instalar este aparato al aire libre, emplee goma silicónica impermeable o material semejante para aplicar tratamiento impermeabilizante a la ménsula de montaje de la cámara, caja del adaptador, orificio de acceso de cables, orificios de tornillos, y tornillos.
- Para instalar este aparato en una pared, oriente hacia abajo la ranura de desagüe de la ménsula de montaje de la cámara. No bloquee la ranura de desagüe. No impermeabilice tampoco la ranura de desagüe.
- Emplee sin falta la cinta impermeable suministrada en las partes de conexión del cable de alimentación y cable de salida de vídeo para aplicar tratamiento impermeabilizante.



<Cómo bobinar la cinta impermeable suministrada>

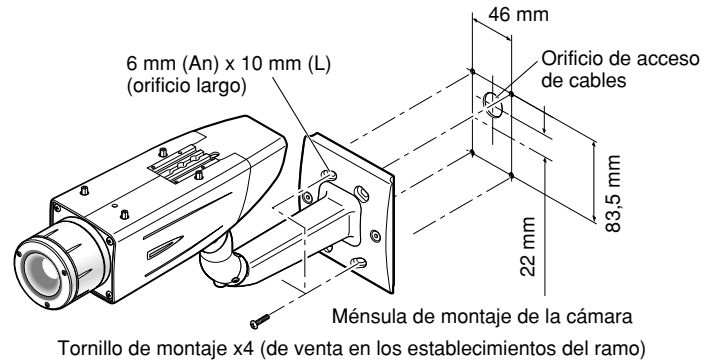
- Estire la cinta aproximadamente el doble de su longitud (vea la ilustración de la derecha) y bobínela en torno a los cables. Si la cinta no se estira lo suficiente, causará una impermeabilización insuficiente.
- Bobine la cinta en el cable de modo que se sobreponga la mitad de su anchura.



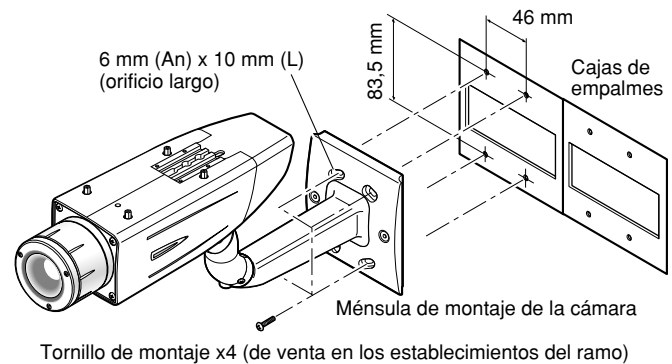
## 2 Fije la ménsula de montaje de la cámara

### • Cuando la cámara se instala directamente en una pared

Emplee 4 tornillos (de venta en los establecimientos del ramo) para fijar la ménsula de montaje de la cámara a la pared o una caja de empalmes (de venta en los establecimientos del ramo).

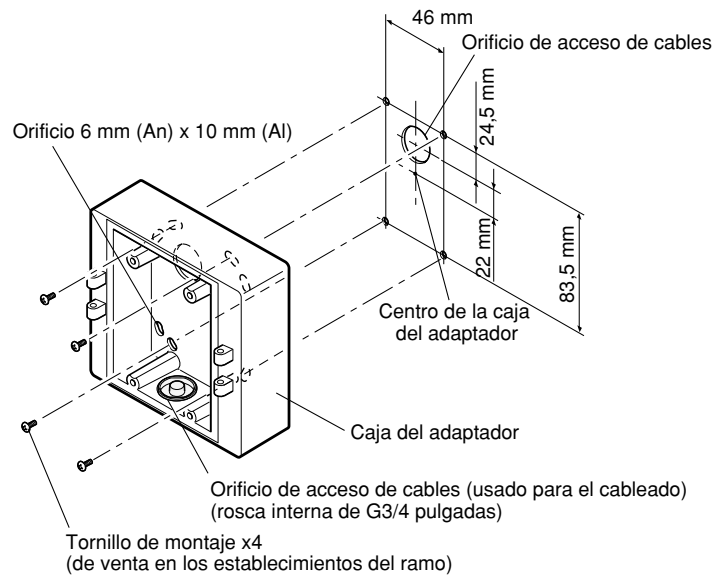


Si se emplea una caja de empalmes, se recomienda poner las cajas una al lado de la otra como se muestra en la ilustración de la derecha. (para facilitar el paso de los cables)

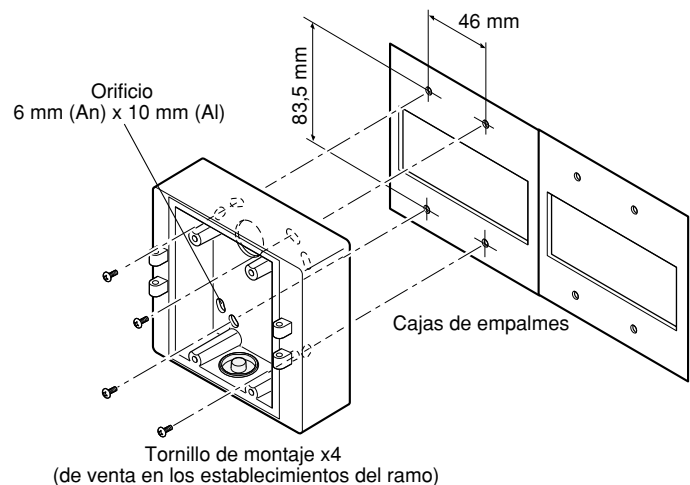


### • Cuando la cámara se instala en una pared empleando la caja del adaptador

1. Emplee 4 tornillos (de venta en los establecimientos del ramo) para fijar la caja del adaptador a la pared o una caja de empalmes (de venta en los establecimientos del ramo).

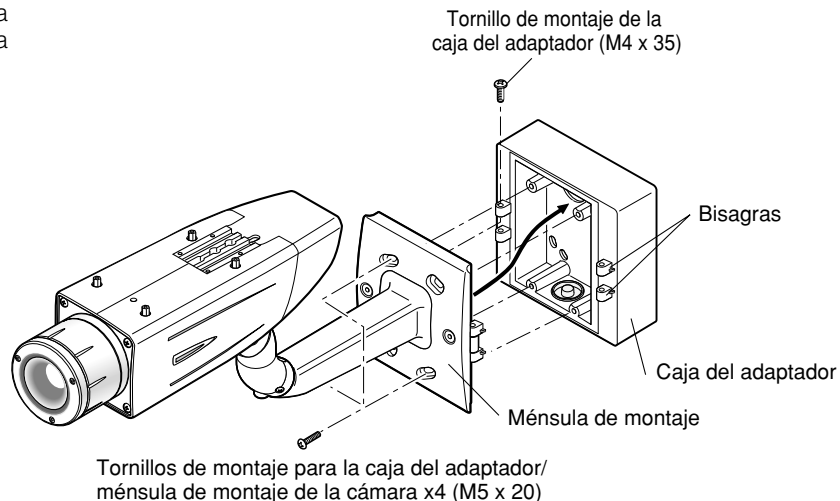


- Si se emplea una caja de empalmes, se recomienda poner las cajas una al lado de la otra como se muestra en la ilustración de la derecha. (para facilitar el paso de los cables)



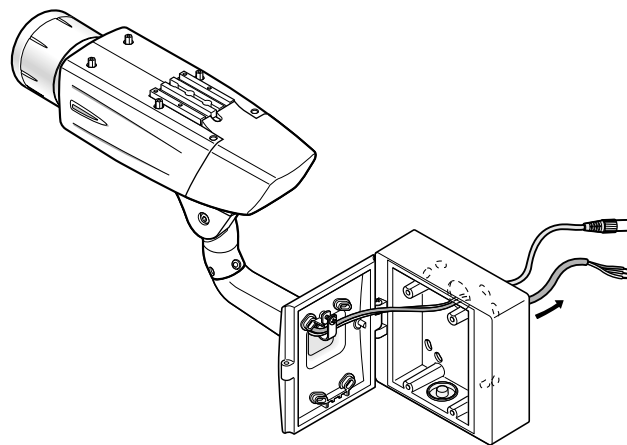


2. Fije le ménsula de montaje de la cámara a las bisagras de la izquierda o derecha de la caja del adaptador.

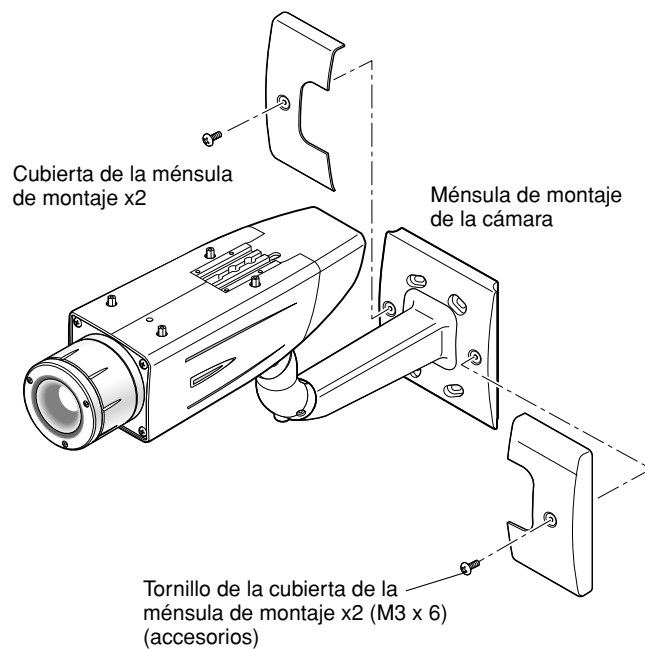


**Nota:**

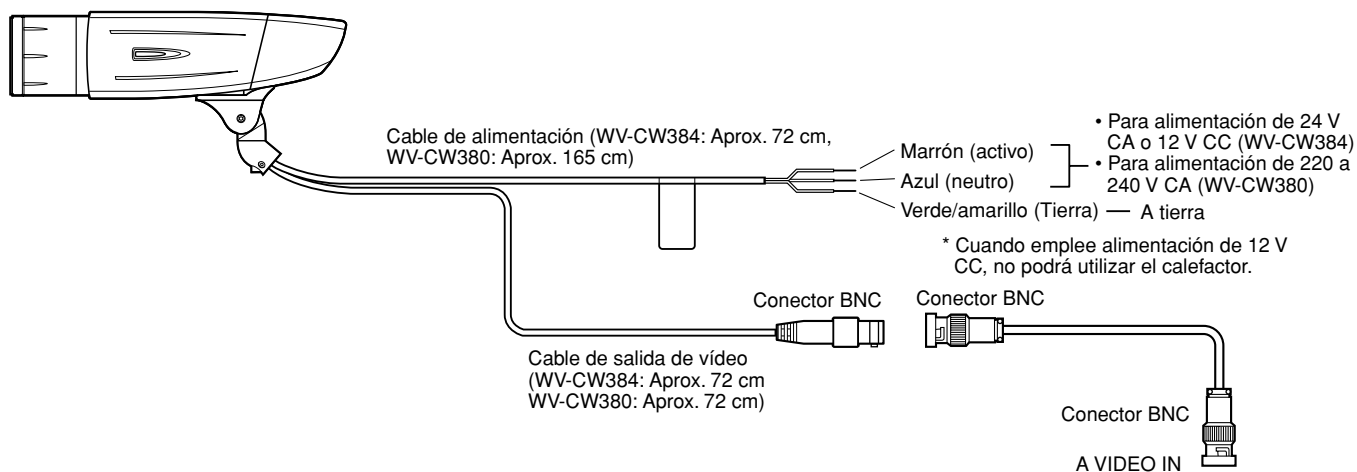
- Las bisagras de la derecha o izquierda de la caja del adaptador deben seleccionarse para evitar que se produzcan interferencias en el movimiento de la ménsula de montaje de la cámara debido a obstrucciones tales como la pared cuando la ménsula de montaje de la cámara se ha conectado a las bisagras de la caja del adaptador.



- 3 Fije las cubiertas de la ménsula de montaje a la ménsula de montaje de la cámara con los 2 tornillos de la cubierta de la ménsula de montaje (accesorios).**



## 4 Efectúe la conexión



### Conexión de salida de vídeo

El conector de salida de vídeo se conecta al monitor o a otros dispositivos del sistema con un cable coaxial (de venta en los establecimientos del ramo).

La longitud de extensión máxima se muestra en la tabla.

Tipo del cable coaxial		RG-59/U (3C-2V)	RG-6/U (5C-2V)	RG-11/U (7C-2V)	RG-15/U (10C-2V)
Longitud máxima del cable recomendada	m	250	500	600	800

### Conexión de la alimentación

#### Precaución:

- Las conexiones siguientes deben hacerlas el personal de servicio cualificado o los instaladores del sistema de acuerdo con las regulaciones NEC 725-51.

#### • Colores y funciones de los conductores Cable de alimentación de la cámara

<WV-CW384>

Color de los conductores	24 V CA	12 V CC
Marrón	24 V CA (L)	Positivo
Azul	24 V CA (N)	Negativo
Verde/amarillo	A tierra	A tierra

<WV-CW380>

Color de los conductores	
Marrón	220 V a 240 V CA (L)
Azul	220 V a 240 V CA (N)
Verde/amarillo	A tierra

#### Precauciones:

- Asegúrese de conectar el cable de masa (GND) de la cámara y el terminal de masa de la fuente de alimentación cuando emplee una fuente de alimentación de 24 V CA (WV-CW384) ó 220 V - 240 V CA (WV-CW380).
- La contracción del sello de entrada de cable se hace de una vez. No efectúe la contracción del sello de entrada de cable hasta haberse asegurado que la unidad funcione.

- CONÉCTELO A UNA TOMA DE ALIMENTACIÓN DE 24 V CA ó 12 V CC DE CLASE 2 SOLAMENTE.
- Para evitar incendios o descargas eléctricas, emplee un cable VW-1 de designación UL y estilo 1007 para el cable de los terminales de entrada.
- No emplee un transformador de más de 10 VA.

### Longitud del cable y tamaño de los conductores del cable <WV-CW384>

#### 24 V CA

La longitud del cable y el tamaño de los conductores de cobre recomendados se indican en la tabla a modo de referencia.

La tensión suministrada a la cámara deberá ser de 19,5 V CA a 28 V CA.

Tamaño de los conductores del cable recomendado para la línea de 24 V CA.

Tamaño del conductor de cobre (AWG)	#24 (0,22 mm <sup>2</sup> )	#22 (0,33 mm <sup>2</sup> )	#20 (0,52 mm <sup>2</sup> )	#18 (0,83 mm <sup>2</sup> )	
Longitud del cable (aprox.)	m	20	30	45	75

#### 12 V CC

La resistencia y el tamaño de los conductores de cobre recomendados se indican en la tabla a modo de referencia.

La tensión suministrada a la cámara deberá ser de 10,5 V CC a 16 V CC.

Resistencia del cable de cobre [a 20 °C]

Tamaño del conductor de cobre (AWG)	#24 (0,22 mm <sup>2</sup> )	#22 (0,33 mm <sup>2</sup> )	#20 (0,52 mm <sup>2</sup> )	#18 (0,83 mm <sup>2</sup> )
Resistencia (Ω/m)	0,078	0,050	0,03	0,018

"L", "R", "VA", e "I" deben satisfacer la ecuación siguiente.

$$10,5 \text{ V CC} \leq V_A - 2(R \times I \times L) \leq 16 \text{ V CC}$$

L: Longitud del cable (m)

R: Resistencia del cable de cobre (Ω/m)

VA: Tensión de salida de CC de la unidad de alimentación

I: Consumo de corriente de CC (A). Consulte las especificaciones.

---

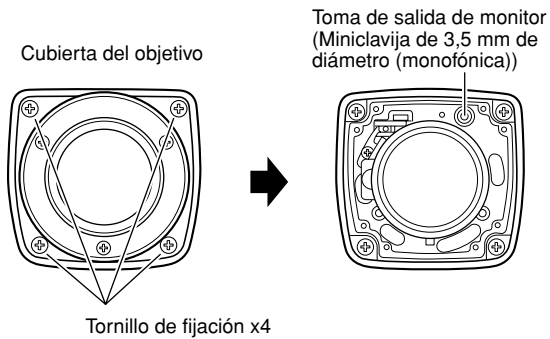
**Importante:**

- Cuando emplee alimentación de 12 V CC, no podrá utilizar el calefactor.
- 

**5 Cuando efectúe el ajuste del ángulo de la cámara, hágalo siempre mirando el monitor.**

Conecte la alimentación de esta unidad, conecte el monitor para realizar el ajuste (por ejemplo, un pequeño monitor LCD) a la toma de salida de monitor, y ajuste el ángulo de la cámara (para mayor seguridad, desconecte la alimentación después de haber ajustado el ángulo).

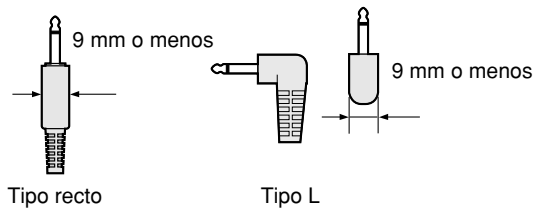
1. Afloje los 4 tornillos de fijación de la cubierta del objetivo para extraer la cubierta del objetivo.
2. Conecte el monitor para el ajuste a la toma de salida de monitor.



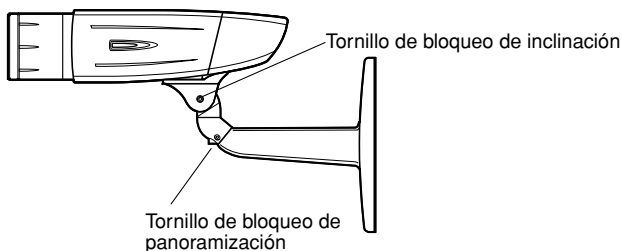
---

**Nota:**

- Para realizar el ajuste del monitor, deberá tenerse en cuenta las dimensiones de la clavija mostradas en la ilustración.



3. Repita los pasos (1) y (2) para ajustar el ángulo de la cámara.
  - (1) Afloje el tornillo de bloqueo de panoramización y gire el cabezal de la cámara horizontalmente para ajustar la panoramización.
  - (2) Afloje el tornillo de bloqueo de inclinación y gire el cabezal de la cámara verticalmente para ajustar la inclinación.
  - (3) Apriete el tornillo de bloqueo de panoramización y el tornillo de bloqueo de la inclinación después de haber ajustado el ángulo de la cámara.



---

**Importante:**

- Después de haber ajustado el ángulo de la cámara, apriete con seguridad el tornillo de bloqueo de panoramización y el tornillo de bloqueo de la inclinación.  
Torsión de apriete recomendada: 2,45 N·m
- 

---

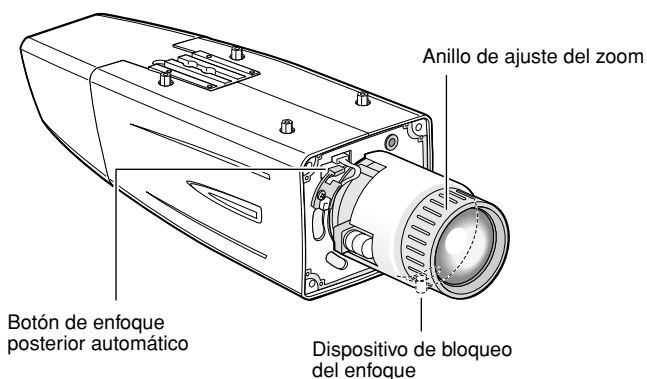
**Notas:**

- Emplee una llave hexagonal con una anchura entre aristas de 4 mm (de venta en los establecimientos del ramo) para aflojar o apretar el tornillo de bloqueo de panoramización y el tornillo de bloqueo de la inclinación.
  - Aproximadamente 1 vuelta de aflojamiento del tornillo de bloqueo de panoramización y del tornillo de bloqueo de la inclinación permiten el ajuste del ángulo de la cámara. No afloje los tornillos más de lo que sea necesario.
  - Deberá sostenerse el cuerpo de la cámara cuando se afloja el tornillo de bloqueo de panoramización o el tornillo de bloqueo de inclinación.
  - El ajuste del enfoque (☞ página 124) debe efectuarse cuando se efectúen los ajustes de la panoramización y de la inclinación.
-

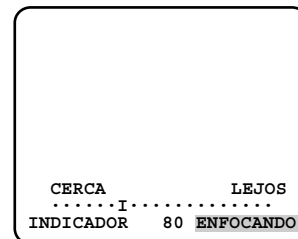
## 6 Ajuste el enfoque

El ajuste del enfoque debe efectuarse cuando se efectúe el ajuste del ángulo de la cámara (☞ página 123).

1. Repita los pasos (1) y (2) para ajustar el ángulo de visión y el enfoque.
  - (1) Gire el anillo de ajuste del zoom para ajustar el ángulo de visión entre TELE y WIDE.
  - (2) Afloje el dispositivo de bloqueo del enfoque, efectúe un enfoque aproximado del motivo, y luego apriete el dispositivo de bloqueo del enfoque.



2. Presione el botón de enfoque posterior automático después de haber ajustado el ángulo de visión mientras mira el monitor preparado para el ajuste.  
→ El indicador de la posición de enfoque se visualiza en la parte inferior de la pantalla, y la distancia focal posterior se ajusta automáticamente.



3. Para efectuar el ajuste preciso de la distancia focal posterior después del ajuste automático de la distancia focal posterior, emplee los botones de operación desde el menú de configuración. (☞ página 139)

### Notas:

- Si no se efectúa ninguna operación durante 10 o más segundos, el indicador de la posición del enfoque desaparece automáticamente.
- Para cambiar el ángulo de visión moviendo el anillo de ajuste del zoom, mueva también el dispositivo de bloqueo del enfoque para ajustar el enfoque.

### <Ajuste del enfoque>

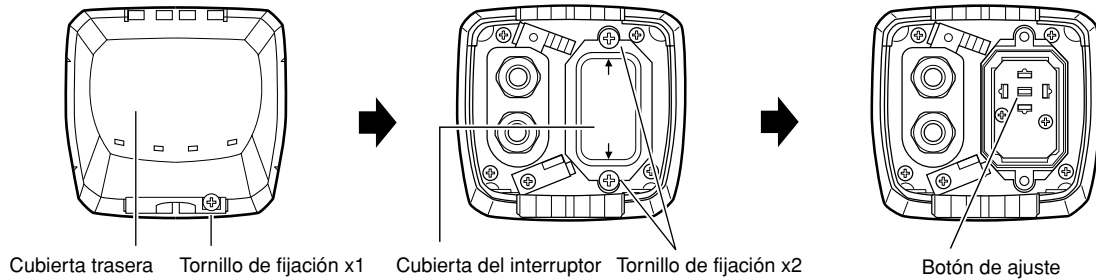
- Cuando se emplea el objetivo de iris automático para filmar un motivo fotográfico, es posible que el enfoque originalmente ajustado quede algo desenfocado dependiendo del estado del iris resultante de la distancia focal del objetivo. En tales casos, abra la abertura oscureciendo el motivo todo lo que sea posible al igual que al sacar una foto, y entonces ajuste el enfoque. Puede evitarse el desenfocado.  
El empleo de "ABF" de "CONFIG.PLANO FOCAL" en el menú de configuración (☞ página 139) permite al usuario ajustar óptimamente el enfoque dentro del margen de las posibilidades para seguir automáticamente las variaciones de la iluminación. (Nota: El punto focal ajustado no es necesariamente el mismo que el punto focal óptimo para la iluminación dada.)
- El nivel de desenfocado en la zona de luz de rayos infrarrojos cercanos puede ser más alto que en la zona de luz visible.  
El ajuste de "COLOR ←→ B/N" de "CONFIG.PLANO FOCAL" en "AUTO" o "PREPO" en el menú de configuración permite al usuario ajustar el enfoque en ambas zonas, la de luz de infrarrojos cercanos y la de luz visible. (La variación de la iluminación no se sigue después de haber ajustado el enfoque.)

### <Modo de empleo de objetivos de distancia focal variable>

- Efectúe la reposición de la posición de distancia focal posterior para restaurar la posición predeterminada antes de realizar el ajuste de la distancia focal posterior. (Mantenga presionados simultáneamente los botones derecho e izquierdo de los botones de operación durante 2 o más segundos, o mueva el cursor a "AJUSTE-MANUAL" de "CONFIG.PLANO FOCAL" en el menú de configuración y mantenga presionados simultáneamente los botones derecho e izquierdo durante 2 o más segundos después de presionar el botón de ajuste.)

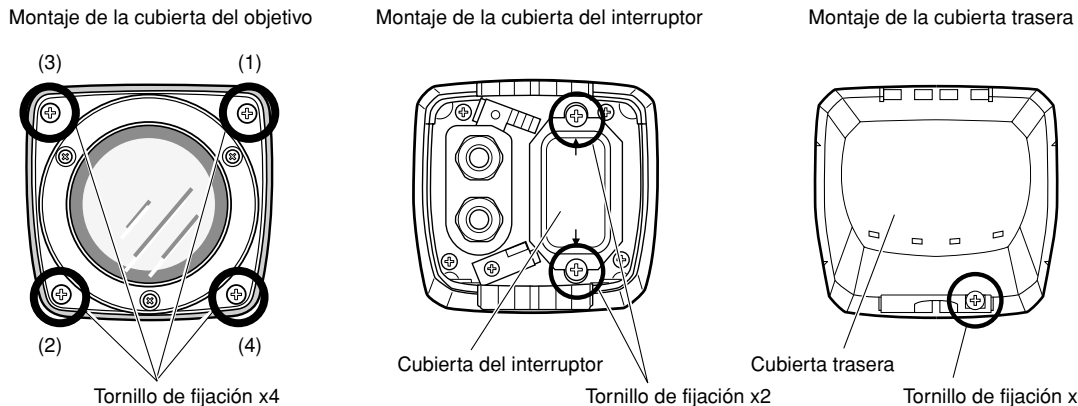
### <Ajuste preciso del enfoque posterior mediante el menú de configuración>

1. Afloje 1 tornillo de fijación que hay en la cubierta trasera para extraer la cubierta trasera.
2. Afloje los 2 tornillos de fijación de la cubierta del interruptor para extraer la cubierta del interruptor.
3. Mantenga presionado el botón de ajuste durante 2 o más segundos para abrir la pantalla inicial del menú de configuración. Ajuste entonces la distancia focal posterior. Para más información al respecto, consulte la página 139.



## 7 Monte la cubierta

1. Ponga el agente desecante (accesorio) en el lado inferior interior de la cubierta del objetivo.
2. Monte la cubierta del objetivo, la cubierta del interruptor, y la cubierta trasera.

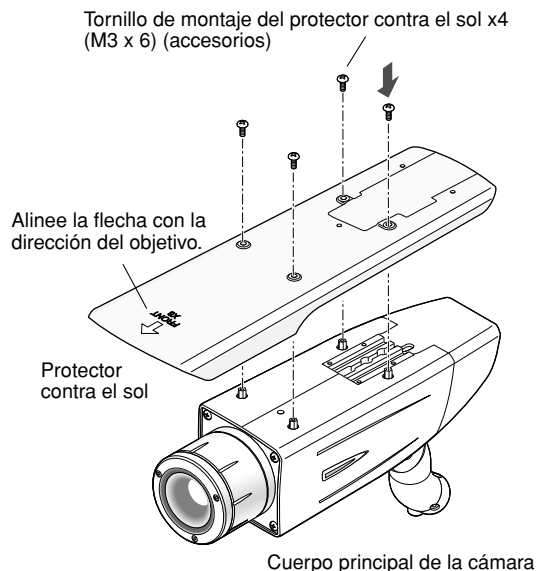


### Importante:

- La torsión de apriete descrita a continuación deberá aplicarse para los 2 tornillos de fijación de la cubierta del interruptor y los 4 tornillos de fijación de la cubierta del objetivo.  
Torsión de apriete recomendada: 0,59 N·m
- Asegúrese de colocar el agente desecante (accesorio). Para ver la forma de colocarlo, consulte las instrucciones sobre el agente desecante.
- Deberá observarse la secuencia de apriete de los 4 tornillos de fijación de la cubierta del objetivo y deberá repetirse dos veces como se describe en la ilustración de arriba.  
((1) → (2) → (3) → (4), dos veces)

## 8 Monte el protector contra el sol

Monte el protector contra el sol en la cámara con los 4 tornillos de montaje del protector contra el sol (accesorios).

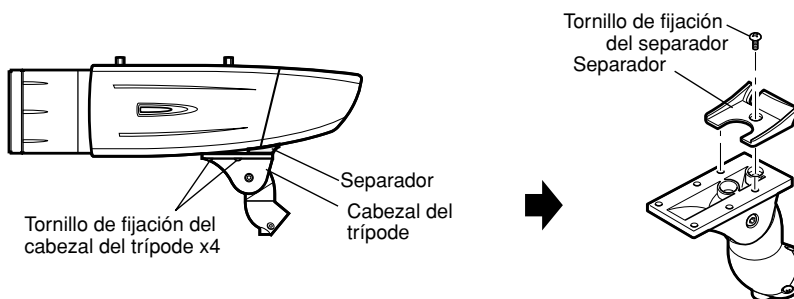


### Notas:

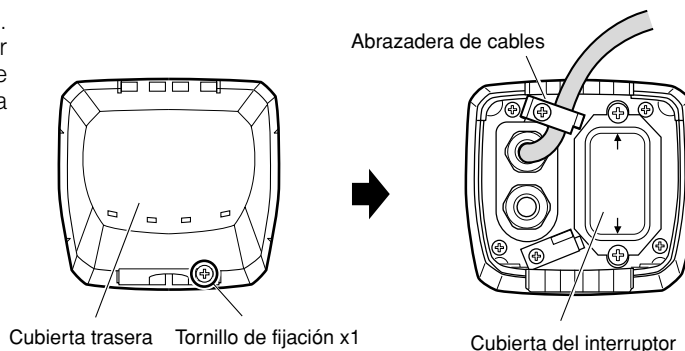
- Asegúrese de emplear los 4 tornillos de montaje del protector contra el sol (accesorios). Torsión de apriete recomendada: 0,59 N·m
- El lado "FRONT" del protector contra el sol deben quedar en el lado del objetivo.

## 9 Para cambiar la superficie de montaje a la superficie superior del cuerpo de la cámara

1. Extraiga los 4 tornillos de fijación del cabezal del trípode del cuerpo de la cámara y extraiga el cabezal del trípode.
2. Afloje el tornillo de fijación del separador del cabezal del trípode y extraiga el separador.



3. Afloje el tornillo de fijación y extraiga la cubierta trasera.
4. Ponga la abrazadera de cables en el lado superior para pasar el cable de salida de vídeo y el cable de alimentación por arriba. Luego, monte la cubierta trasera.



5. Monte el cabezal del trípode en la parte superior de la cámara con los 4 tornillos de montaje del cabezal del trípode que se extrajeron en el paso 1.

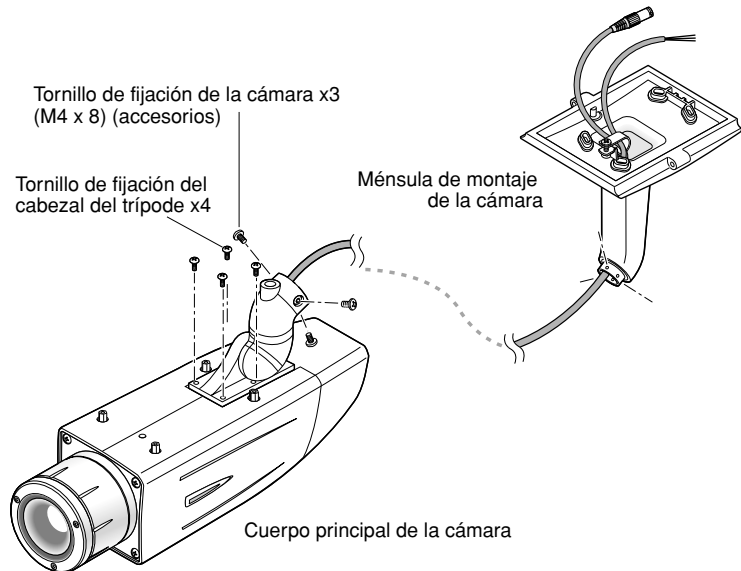
### Importante:

- Deberá tenerse cuidado para que el cable de salida de vídeo y el cable de alimentación no queden pillados entre el cuerpo de la cámara y el cabezal del trípode.

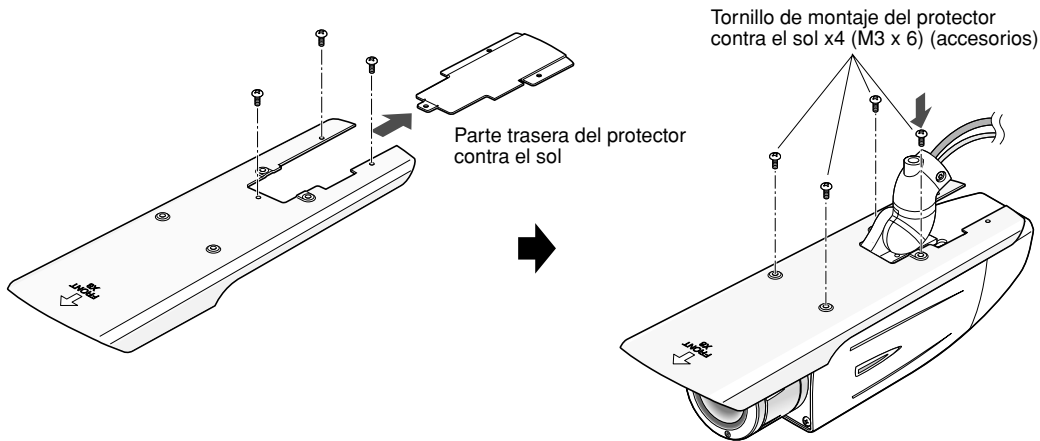
- Fije la cámara en la ménsula de montaje de la cámara con los 3 tornillos de fijación de la cámara (accesorios).  
Pase el cable de salida de vídeo, el cable de alimentación y el cable de seguridad por la ménsula de montaje de la cámara y fije el cable de seguridad a la ménsula de montaje de la cámara.

**Importante:**

- Utilice sin falta los tornillos que se habían extraído del cabezal del trípode.  
Torsión de apriete recomendada: 0,59 N·m

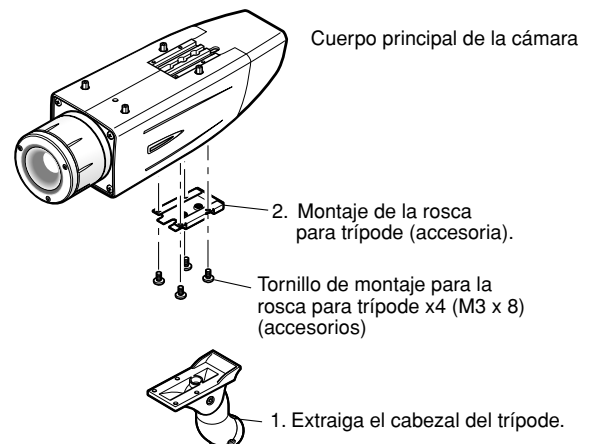


- Monte el protector contra el sol en el cuerpo de la cámara con los 4 tornillos de montaje del protector contra el sol (accesorios) después de haber extraído el lado posterior del protector contra el sol.



**10 Cuando se emplea la rosca para trípode (accesoria) (cuando se emplea una ménsula de montaje de la cámara distinta).**

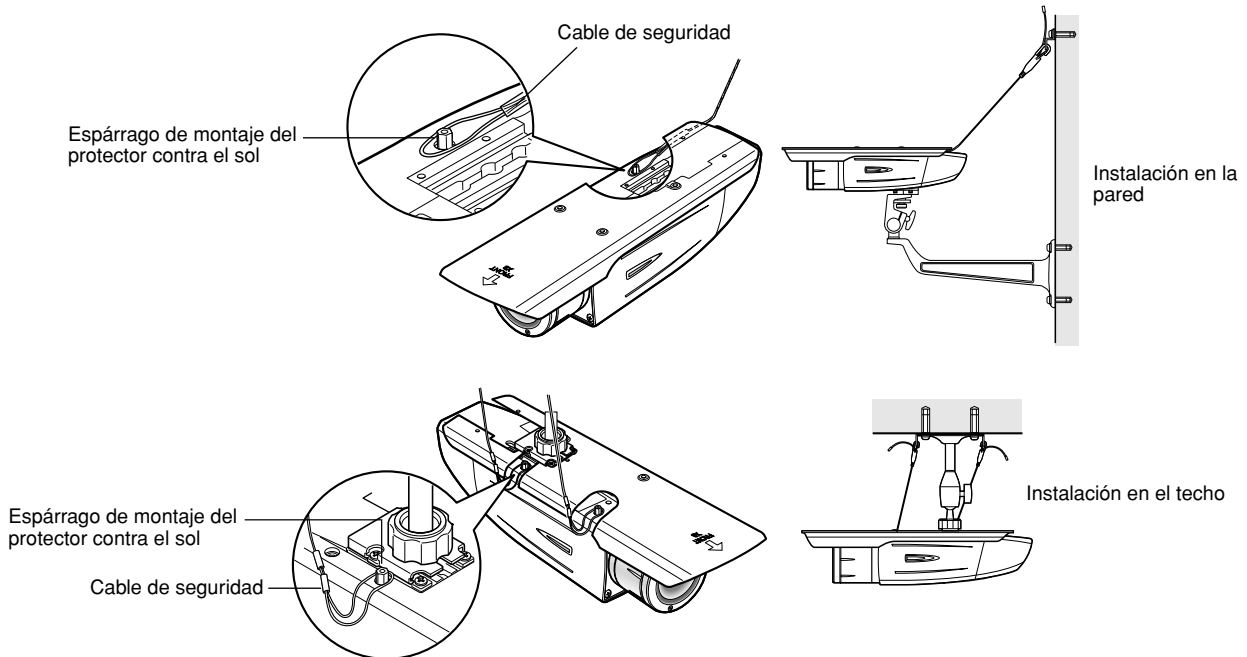
- Extraiga los 4 tornillos de fijación del cabezal del trípode del cuerpo de la cámara y extraiga el cabezal del trípode. Desmonte el cabezal del trípode y tire del cable de salida de vídeo y el cable de alimentación para que salgan.
- Monte la rosca para el trípode (accesoria) con los 4 tornillos de montaje de la rosca para el trípode (accesorios).



3. Emplee un cable de seguridad (de venta en los establecimientos del ramo) para tomar medidas contra la caída de la cámara de acuerdo con la posición de instalación.

	Ménsula de montaje de la cámara	Cable de seguridad
Para la instalación en la pared	WV-831	WV-Q140
Para la instalación en el techo	WV-7010A	WV-Q141

4. Enganche la punta (parte del aro) del cable de seguridad en el espárrago de montaje del protector contra el sol y enrosque el protector contra el sol para fijar el cable de seguridad.



5. Consulte las instrucciones del cable de seguridad para los pasos siguientes.

---

**Importante:**

- Asegúrese de emplear los 4 tornillos de montaje de la rosca para trípode (accesorios). El empleo de tornillos de una longitud inapropiada puede causar daños en la unidad.
  - Los 4 tornillos extraídos del cabezal del trípode no pueden utilizarse.
  - Las ménsulas de montaje de la cámara, WV-831 y WV-7010A, y los cables de seguridad, WV-Q140 y WV-Q141, están diseñados para su utilización en interiores. Para la instalación al aire libre, emplee la ménsula de montaje de la cámara de los accesorios.
-



# Acerca de los menús de configuración

Antes de la operación, es necesario configurar esta cámara. Cuando esté en el menú de configuración, podrá comprobar los ajustes actuales y efectuar los ajustes necesarios.

A continuación se muestra un ejemplo del procedimiento de configuración cuando se ha ajustado "LANGUAGE" a "ESPAÑOL".

## Ajuste de los elementos de la página de configuración de la cámara

Elementos de configuración	Descripción	Páginas de referencia
<b>CAMARA</b>	Configure los ajustes relacionados con las operaciones de la cámara.	
CÁMARA ID	El título de la cámara puede editarse y visualizarse en la pantalla.	131
ALC	Configure el método de control de la iluminación.	132
OBTURADOR	Seleccione la velocidad del obturador.	133
AGC	Seleccione el método de ajuste de la ganancia.	134
SENS UP	Ajuste la sensibilidad.	134
SINC	Configure el método de sincronización.	134
BAL.BLAN.	Seleccione el método de ajuste del equilibrio del blanco.	135
DETEC.MOV.	Configure los ajustes para la función de detección de movimiento.	135
REDUCT.RUIDO	Configure los ajustes para la función REDUCT.RUIDO (reducción de ruido digital).	137
RESOLUCIÓN	Seleccione un modo de resolución horizontal.	137
MODO B/N	Configure los ajustes relacionados con el modo B/N tales como los ajustes para cambiar entre el modo de color y el modo de blanco y negro.	137
ZONA PRIVADA	Podrá enmascarar una zona designada como una zona privada.	138
ZOOM EL.	Ajuste el zoom electrónico.	138
ESTABILIZADOR	Seleccione "ON" u "OFF" para determinar si debe o no empleando el estabilizador de imagen para evitar imágenes movidas.	139
LED	Efectúe los ajustes para LED.	139
<b>PLANO FOCAL</b>	Seleccione el método de ajuste de la distancia focal posterior (distancia focal de detrás) y ajuste con precisión la distancia focal posterior (distancia focal de detrás).	139
<b>ESPECIAL</b>		140
GANANC.CROMA	Ajuste el nivel cromático (densidad del color).	140
GANANCIA AP	Ajuste del nivel de la abertura.	140
PEDESTAL	Ajuste el nivel del pedestal (brillo).	140
PIX OFF	Corrija los defectos de imagen tales como las rayadas.	140
RESET CAMARA	Reponga los ajustes del menú de configuración a los ajustes predeterminados.	141
NO SERIE	Compruebe el número de serie de esta cámara.	141
<b>LANGUAGE</b>	Seleccione el idioma que deba visualizarse en el menú de configuración.	131

## ■ Operación básica

A continuación se describe la forma de configurar los elementos de configuración empleando los botones de operación (consulte la página 116) de la cámara. También puede efectuarse la configuración empleando un controlador del sistema opcional.

---

### Nota:

- Las ilustraciones son los ejemplos que se visualizan en un monitor de vídeo.
- 

- Mantenga presionado el botón [SET] durante unos 2 segundos.  
→ Se visualizará la página principal.
- Mueva el cursor a "FIN" presionando el botón [UP] o [DOWN].

```
MODELO WV-CW380 SERIES
CÁMARA↵
PLANO FOCAL↵
ESPECIAL↵
LANGUAGE↵

FIN DESHABILITAR CONFIG.
```

- Presione el botón [SET] después de haber movido el cursor a "CONFIG." presionando el botón [RIGHT].  
→ La indicación "DESHABILITAR" cambiará a "HABILITAR" y podrán editarse los ajustes.

```
MODELLO WV-CW380 SERIES
CÁMARA↵
PLANO FOCAL↵
ESPECIAL↵
LANGUAGE↵

FIN HABILITAR CONFIG.
```

- Mueva el cursor al elemento de configuración deseado y presione el botón [SET].  
→ Se visualizará la página de configuración del elemento de configuración deseado.

```
**CONFIG.CAMARA** 1/2
CÁMARA ID      OFF↵
ALC            ALC↵
OBTURADOR     OFF
AGC           ON (ALTO)
SENS UP       OFF
SINC          INT
BAL.BLAN.     ATW1↵
DETEC.MOV.    MODE1↵
REDUCT.RUIDO  ALTO
RESOLUCIÓN    ALTA
MODO B/N↵
```

- Configure los ajustes para cada elemento.  
**Seleccione el elemento de configuración:** Mueva el cursor presionando el botón [UP] o [DOWN].  
**Cambie el parámetro:** Presione el botón [LEFT] o [RIGHT].  
**Visualice la página de ajustes detallados del elemento de configuración:** Presione el botón [SET] cuando se seleccione un elemento de configuración marcado con la marca [↵].  
**Volver a la página anterior:** Mueva el cursor a "RET" y presione el botón [SET].  
**Volver a la primera página:** Mueva el cursor a "INICIO" y presione el botón [SET].

```
**CONFIG.CAMARA** 2/2
ZONA PRIVADA  OFF
ZOOM EL.     OFF
ESTABILIZADOR OFF
LED          ON

RET          INICIO          FIN
```

- Para salir del menú CONFIG. y visualizar las imágenes de la cámara, mueva el cursor a "FIN" y presione el botón [SET].

---

### Notas:

- Para evitar operaciones erróneas, la indicación "DESHABILITAR" siempre se visualizará cuando se visualice la primera página desde la cámara. Para operar el menú CONFIG., cambie primero la indicación "DESHABILITAR" a la indicación "HABILITAR".
  - La posición del cursor se visualizará resaltada.
-

# Procedimientos de ajuste

Primero, seleccione el idioma para la visualización de los menús y para la visualización de la identificación (ID) de la cámara.

## Configuración del idioma (LANGUAGE SETUP)

1. Seleccione "LANGUAGE" en el menú principal y presione el botón [SET].  
→ Se abrirá el menú "LANGUAGE SETUP".
2. Seleccione un idioma. El ajuste predeterminado es "ESPAÑOL".  
**Idiomas disponibles:** ENGLISH, FRANÇAIS, ESPAÑOL, DEUTSCH, ITALIANO, РУССКИЙ, CHINESE o JAPANESE
3. Seleccione "SET" en el menú y presione el botón [SET].



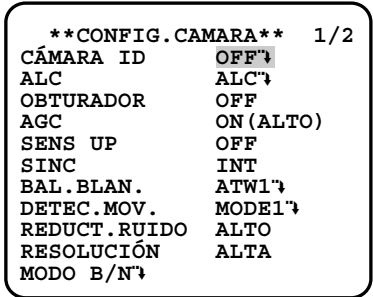
## 1. Ajuste de la identificación de la cámara (CÁMARA ID)

Asigne un nombre a la cámara empleando hasta 16 caracteres para visualizarlo sobrepuesto sobre la imagen de la cámara en la posición seleccionada.

**Nota:**

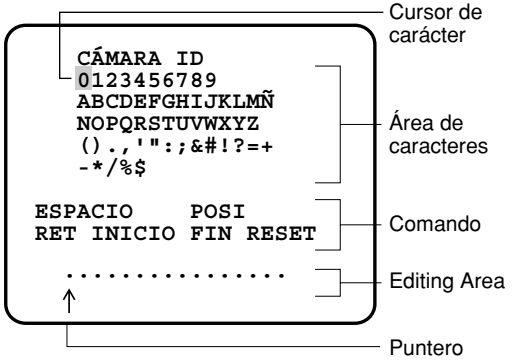
- Si cambia la selección del idioma después de realizar la asignación de la identificación de la cámara ID, se borrará.

1. En el menú "CONFIG.CAMARA", seleccione "ON" u "OFF" para "CÁMARA ID" y presione el botón [SET].  
**ON:** Visualiza la identificación introducida de la cámara.  
**OFF:** No visualiza la identificación.  
→ Se abre el menú "CÁMARA ID".



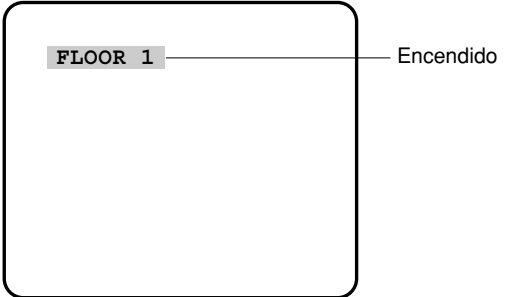
2. Seleccione un carácter del área de caracteres y presione el botón [SET].  
→ Los caracteres seleccionados se visualizarán en el área de edición.

3. Repita estos procedimientos hasta haber introducido todos los caracteres.
  - Para introducir un espacio en blanco, seleccione "ESPACIO" y presione el botón [SET].
  - Para reemplazar un carácter específico en el área de edición:
    1. Mueva el cursor al área de edición y mueva el puntero al carácter a reemplazarse presionando los botones [LEFT] y [RIGHT].
    2. Mueva el cursor al carácter deseado del área de caracteres y presione el botón [SET].
  - Para borrar todos los caracteres de la identificación de la cámara, seleccione "RESET" y presione el botón [SET].



**Nota:**

- Para el idioma chino, pueden introducirse hasta 8 caracteres.



4. Para especificar la posición de visualización de la identificación:
  1. Seleccione POSI y presione el botón [SET].
    - Se realzará la identificación introducida de la cámara en la pantalla.
  2. Muévela a la posición apropiada y presione el botón [SET].
    - La posición se determinará y la pantalla volverá a la del menú "CÁMARA ID".

**Nota:**

- Siga presionando cualquiera de los botones [LEFT], [RIGHT], [UP], o [DOWN] durante uno o más segundos para mover el ID de la cámara con más rapidez como sea necesario.

## 2. Ajuste del modo de control de la iluminación (ALC)

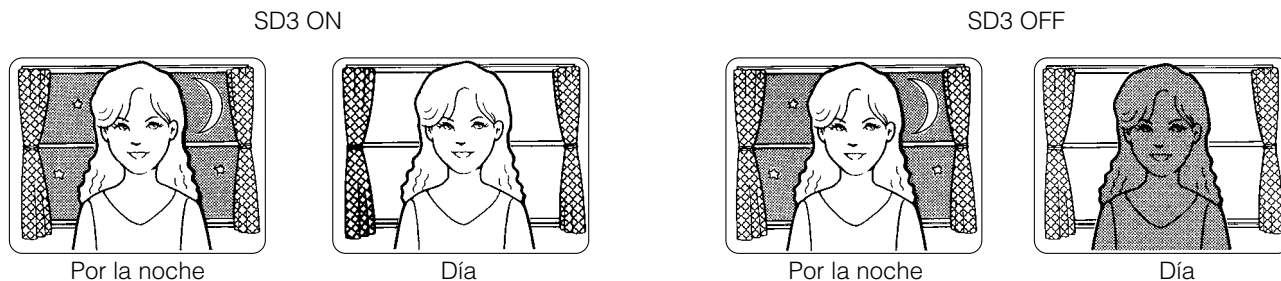
Seleccione un modo de control de la iluminación dependiendo del tipo de objetivo montado.

**ALC\***↕: Se aplica a los objetivos de iris automático. "SD3" estará disponible con esta selección.

### 2-1. Modo ALC con SD3 ON

#### Función súper dinámico 3 (SD3)

En el modo SUPER-D3, se da más ponderación fotométrica al centro de la pantalla que a los bordes de la misma, donde normalmente queda fuerte contraluz.



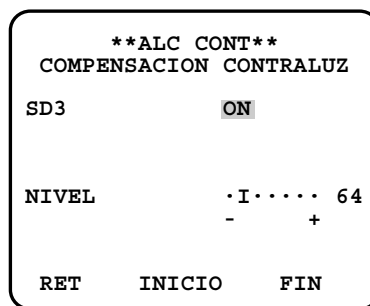
**SD3 ON:** Hace posible que SUPER-D3 compense automáticamente el efecto de contraluz.

**SD3 OFF:** Se habilita el ajuste manual para compensar el efecto de contraluz.

**Notas:**

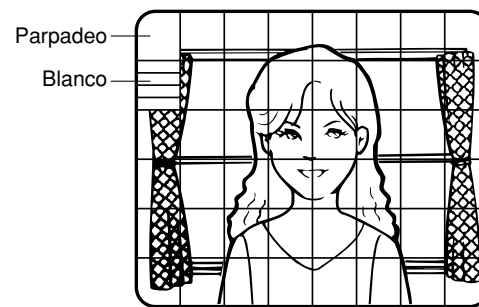
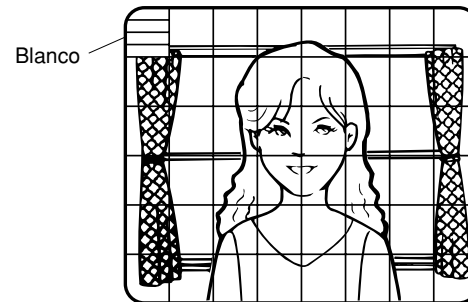
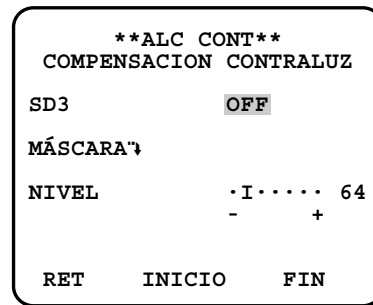
- Cuando se ajusta a "ON", se limitan los parámetros disponibles para "OBTURADOR" y "SENS UP" como se indica en la página siguiente.
- Ajuste "SD3" en "OFF" cuando se observe ruido en una parte iluminada, fluctuaciones, o deterioro del color.

1. Mueva el cursor a "ALC" y presione el botón [SET].
  - Se abrirá el menú "ALC CONT".
2. Seleccione "ON" para "SD3".
3. Ajuste el nivel de salida de vídeo (NIVEL) moviendo el cursor "I". Puede resultar mejor ajustar "NIVEL" en una posición un poco más alta.



## 2-2. Modo ALC con SD3 OFF

1. Mueva el cursor a "ALC" en el menú "CONFIG.CAMARA" y seleccione "OFF" para "SD3" en el menú "ALC CONT".  
→ Aparecerá "MÁSCARA"↓ en el menú "ALC CONT".
2. Seleccione "MÁSCARA" y presione el botón [SET].  
→ Las 48 áreas de enmascaramiento aparecerán superpuestas sobre la imagen de la cámara con el cursor parpadeando en la esquina superior izquierda.
3. Mueva el cursor un área en la que haya fuerte contraluz y presione el botón [SET] para enmascarar el área.  
→ El área enmascarada aparecerá alternadamente en blanco y parpadeando cuando el cursor esté en el área, o se volverá blanca cuando el cursor esté en otras áreas.
4. Para cancelar el enmascaramiento, mueva el cursor a un área enmascarada y presione el botón [SET].  
→ Cuando se cancele el enmascaramiento del área, cambiará de blanco a normal.  
Para cancelar el enmascaramiento, presione simultáneamente los botones [LEFT] y [RIGHT] durante 2 o más segundos.
5. Repita los pasos 3 y 4 las veces que haga falta.



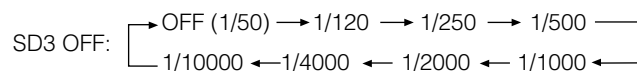
6. Presione el botón [SET] durante 2 o más segundos.  
→ Aparecerá el menú "ALC CONT".
7. Ajuste el nivel de salida de vídeo (NIVEL) moviendo el cursor "I".

### Nota:

- Si se selecciona "ON" para "SD3", puede aparecer una sombra (línea negra) en el borde entre las partes bien iluminadas y las oscuras. Esto es un fenómeno natural y no indica ningún problema.

## 3. Ajuste de la velocidad del obturador (OBTURADOR)

Seleccione una velocidad del obturador que sea apropiada cuando haya seleccionado "ALC" en el menú "CONFIG.CAMARA". La selección de una velocidad más rápida reducirá la borrosidad cuando el motivo se mueva con rapidez. El ajuste predeterminado es "OFF".



### Notas:

- Sólo estará disponible "OFF" cuando se ajusta "SD3" en "ON".
- Cuando se seleccione una velocidad más rápida para el obturador electrónico, la imagen quedará por lo general un poco más oscura, y algunas veces es posible que aparezcan manchas (franjas verticales causadas por objetos brillantes).

## 4. Ajuste del control de la ganancia (AGC)

Seleccione un modo de control automático de la ganancia. Este ajuste aumenta la ganancia y aclara la imagen en condiciones de poca iluminación. El ajuste predeterminado es "ON (ALTO)".

**Modos disponibles:** ON (ALTO), ON (MEDIO), ON (BAJO), OFF

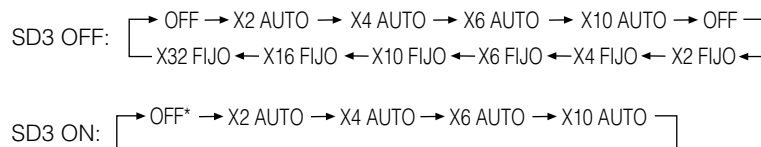
## 5. Mejora de la sensibilidad electrónica (SENS UP)

Seleccione un índice de mejora adecuado cuando ajuste la cámara al modo ALC. Cuanta más alta sea la velocidad seleccionada, más clara será la imagen. El ajuste predeterminado es "OFF".

**AUTO:** Ajusta "AGC" en "ON" y aumenta adaptablemente la sensibilidad hasta el índice de ampliación seleccionado, por ejemplo 10 veces cuando se ha ajustado en "X10 AUTO".

**FIJO:** Aumenta la sensibilidad de forma fija al índice seleccionado.

**OFF:** No aumenta la sensibilidad.



\* Ajuste predeterminado

### Notas:

- Es posible que algunos tipos de controladores del sistema no puedan operar algunas de las funciones de SENS UP. Si así sucede, emplee los botones de operación de la cámara.
- Cuando selecciona "AUTO" para "SENS UP" y "ON" para "SD3", la función SENS UP tiene prioridad de manera que la función SUPER-D3 no se activa automáticamente.
- Cuando se ha seleccionado la función SENS UP, puede aparecer ruido, manchas o fenómenos blancuzcos en la imagen cuando se incrementa la sensibilidad de la cámara. Esto es un fenómeno normal.
- Sólo cuando se seleccione "OFF", "X2 FIJO", o "X2 AUTO" para la mejora de la sensibilidad (SENS UP), es posible efectuar el ajuste de ABF o seleccionar "AUTO" para "COLOR ↔ B/N" en el menú "CONFIG.PLANO FOCAL". Cuando selecciona un valor de sensibilidad que no sea "X2 FIJO" o "X2 AUTO", emplee "PREPO" y "FIJO" para "COLOR ↔ B/N" en el menú "CONFIG.PLANO FOCAL".

## 6. Ajuste de la sincronización (SINC)

1. Seleccione un modo de sincronización.

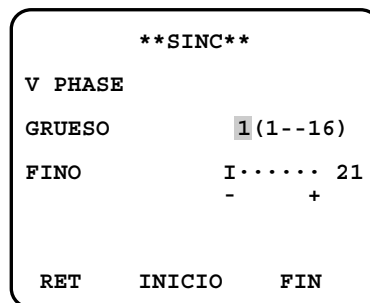
**VD2:** Excitación vertical multiplexada, la prioridad más alta

**BLQ.LÍNEA:** Bloqueo de línea, sigue la fase de la alimentación de CA suministrada, la segunda prioridad

**INTERNAL:** Sincronización interna, la prioridad más baja

### Notas:

- La selección no está disponible cuando se añade VD2 a la cámara. La selección desde "BLQ.LÍNEA" está disponible cuando se añade la sincronización respectiva.
- Cuando se seleccione "BLQ.LÍNEA", será necesario el ajuste de la fase.



2. Ajuste de la fase vertical de bloqueo de línea (V PHASE)

- Seleccione "BLQ.LÍNEA" y presione el botón [SET].
- Prepare un osciloscopio de trazado doble y suminístrele la salida de vídeo de la cámara que deba ajustarse y la de la cámara de referencia.
- Ajuste el osciloscopio a la razón vertical y expanda la parte de sincronización V (vertical).
- Seleccione una fase "GRUESO" adecuada entre los 16 pasos (22,5 grados/paso) que acerquen más las dos señales de vídeo en el osciloscopio.

- Seleccione una fase "FINO" adecuada de modo que las dos señales de vídeo en el osciloscopio se acerquen tanto como sea posible.

**Notas:**

- Si se mueve el cursor "I" por el extremo +/- se desplazará el margen de "FINO".
- Presione simultáneamente los botones [LEFT] y [RIGHT] para reponer el valor de "V PHASE" al predeterminado (0 grados).
- Siga presionando los botones [LEFT] y [RIGHT] durante un segundo para mover con más rapidez el cursor "I" si es necesario.
- Si la línea de CA contiene ruido de clavija, puede perturbar la sincronización de BLQ.LÍNEA.

## 7. Ajuste del equilibrio del blanco (BAL.BLAN.)

Seleccione un modo para "BAL.BLAN." en el menú "CONFIG.CAMARA". El ajuste predeterminado es "ATW1".

**ATW1:** Es adaptable automáticamente a las temperaturas del color de 2 700 K - 6 000 K.

**ATW2:** Es adaptable automáticamente para el empleo de lámparas de sodio (2 000 K - 6 000 K).

**AWC:** Es adaptable automáticamente a las temperaturas del color de 2 000 K -10 000 K.

**Notas:**

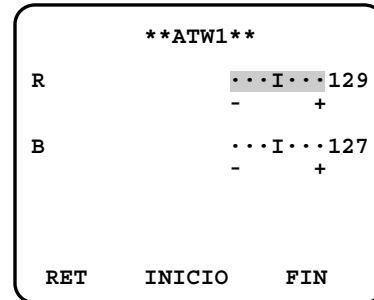
- Cuando se seleccionan "ATW1" o "ATW2", no se requiere ninguna otra operación.
- "ATW1" y "ATW2" no aparecen en el menú de configuración del controlador del sistema.
- Seleccione "AWC" en los casos siguientes: la temperatura del color está fuera del margen de 2 000 K - 6 000 K, la escena contiene altas temperaturas de color en su mayor parte, tales como azul celeste o una puesta de sol, o la escena está poco iluminada.
- Cuando se seleccione "AWC", será necesario el ajuste de "AWC".

### Ajuste de AWC

1. Seleccione "AWC" y presione el botón [LEFT].  
→ "AWC" cambiará a "AWC → PULSE SW".
2. Presione el botón [SET].  
→ "PULSE SW" se realizará mientras se efectúa el ajuste de "AWC".

**Nota:**

- Si el equilibrio de blanco no está ajustado, "PULSE SW" estará realizado.



3. Presione el botón [RIGHT].

### Ajuste preciso manual

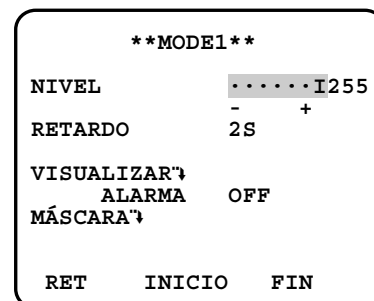
Efectúe el ajuste preciso como sea necesario.

1. Seleccione "BAL.BLAN." y presione el botón [SET].  
→ Se abrirá el menú de ajuste preciso de ATW o AWC.
2. Ajuste con precisión "R" (rojo) y "B" (azul) moviendo el cursor "I".

## 8. Ajuste de la detección de movimiento (DETEC.MOV.)

Cuando se detecta una serie de cambios en las imágenes, la cámara emite una alarma al dispositivo exterior, como pueda ser la grabadora de discos. La grabadora empezará a grabar las imágenes.

1. Seleccione un modo para "DETEC.MOV." en el menú "CONFIG.CAMARA".  
El ajuste predeterminado es "OFF".  
**OFF:** Inhabilita la salida de alarma.  
**MODE1:** Emite la alarma cuando se detecta una serie de movimientos.  
**MODE2:** Emite la alarma cuando se detecta una serie de cambios de escena.  
→ El menú de "MODE1" se abre cuando se selecciona "MODE1" y se presiona el botón [SET].



2. El ajuste de "NIVEL" optimizará la sensibilidad de detección.

3. Seleccione un tiempo de fijación. El ajuste predeterminado es "2S".

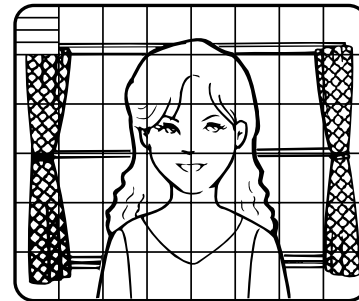
**Tiempo disponible (segundos):** 2, 5, 10, 30

La siguiente detección se efectuará después de haber transcurrido el tiempo ajustado.

4. Seleccione "MÁSCARA" y presione el botón [SET].

→ Se abrirá una pantalla dividida en 48.

- Especifique las áreas sin detección (máscara) y con detección del mismo modo que el que se ha descrito anteriormente en 2-2 Modo ALC. (☞ página 133)
- Mantenga presionado el botón [SET] durante 2 segundos para volver al menú "MODE1".



---

**Nota:**

- Efectúe el ajuste de enmascaramiento de área después de ajustar "ESTABILIZADOR" en "OFF" en el menú "CONFIG.CAMARA".
- 

5. Seleccione "ON" u "OFF" para "ALARMA" en "VISUALIZAR".

**ON:** Emite una alarma

**OFF:** No emite una alarma. Es aplicable cuando se emplea alguno de los controladores siguientes: WV-RM70, serie WV-CU550, WV-CU161, WV-CU360, WV-CU650, WV-CU 850, WV-CU950

6. Seleccione "VISUALIZAR" y presione el botón [SET] para ver los ajustes actuales.

Cuando se detecta un movimiento, el área parpadea.

- Presione el botón [SET] para volver al menú "MODE1".

7. Cuando sea necesario, repita el ajuste de "NIVEL" y el ajuste de "MÁSCARA" comprobando la pantalla de "VISUALIZAR".

---

**Importante:**

- En sistemas que no sean Panasonic, seleccione "OFF" para "DETEC.MOV." para evitar que los dispositivos del sistema confundan la señal de código de tiempo tomándola por una señal de alarma.
  - Ajuste "MÁSCARA" sobre las áreas en donde hojas o cortinas etc. están desplazándose.
  - Ajuste el nivel de detección para evitar que la detección confunda el movimiento tomándolo como ruido en condiciones de poca iluminación.
  - La señal de alarma tardará aproximadamente 0,2 segundos en llegar al terminal de alarma de la videogradora, después de la detección.
  - La detección de movimiento/cambio de escena no está específicamente diseñada para evitar robos o incendios.
- 

**Detector de movimiento**

El detector de movimiento divide la pantalla en 48 bloques y supervisa los cambios de luminancia en cada bloque. Cuando detecta algún cambio (movimiento) en la imagen, emite una señal de alarma. Cuando se detecta un cambio (movimiento) en la imagen en el modo automático, se emite la señal de alarma y la cámara se para en la posición de preajuste durante un tiempo especificado.

**Modo de demostración**

El modo de demostración divide la pantalla en 48 bloques y supervisa los cambios de luminancia en cada bloque. Enmascara también cualquier parte de la imagen en la que se produzca un cambio de luminancia que exceda el nivel de sensibilidad de detección actualmente especificado. Los resultados del modo de demostración pueden utilizarse para determinar el óptimo nivel de sensibilidad de detección (paso 2) y las áreas de la pantalla que deben enmascarse (paso 4).

**Acerca de MODE2 de detección de movimiento**

La cámara detectará un cambio de escena en los casos siguientes.

Cuando el objetivo está mojado o cubierto con un paño, cubierta, o algo semejante

Cuando se cambia súbitamente la dirección de la cámara

---

**Importante:**

- La cámara no detectará un cambio de escena en los casos siguientes.
    - Cuando una tela con patrones cubre el objetivo y se mueve con el viento
    - Cuando algunas partes de la pantalla no están cubiertas
    - Cuando las pantallas tienen patrones de escenas similares aunque cambie la dirección de la cámara
  - La cámara detectará incorrectamente un cambio de escena en los casos siguientes.
    - Cuando aparezca un cambio obvio de la iluminación (por ejemplo, el encendido/apagado de lámparas)
    - Cuando hay objetos que se mueven constantemente como el tráfico de calles concurridas
-



## 9. Ajuste de la reducción de ruido digital (REDUCT.RUIDO)

Seleccione el modo "REDUCT.RUIDO" adecuado a las condiciones del sitio de la cámara. El ajuste predeterminado es "ALTO".

**ALTO:** Reduce en gran medida el ruido, aunque produce imágenes residuales cuando se mueven los objetos.

**BAJO:** Reduce un poco el ruido, y produce menos imágenes residuales.

## 10. Ajuste de la resolución (RESOLUCIÓN)

Seleccione un modo de resolución horizontal. El ajuste predeterminado es "ALTO".

**NORMAL:** Ofrece una resolución de más de 480 líneas de TV.

**ALTO:** Ofrece una resolución típica de 540 líneas de TV, aunque puede incrementarse el ruido cuando se activa "SENS UP" en condiciones de poca iluminación.

## 11. Ajuste del modo de blanco y negro (MODO B/N)

1. Seleccione "MODO B/N" en el menú "CONFIG.CAMARA" y presione el botón [SET].  
→ Se abrirá el menú de "MODO B/N".

2. Seleccione un modo para "B/N". El ajuste predeterminado es "OFF".  
→ Cuando se selecciona "AUTO1" o "AUTO2", aparecen "NIVEL" y "DURACIÓN".

**AUTO1:** Ajusta el modo al de blanco y negro si la imagen es oscura, o al modo de color si la imagen tiene suficiente claridad.

**AUTO2:** Funciona del mismo modo que "AUTO1", con excepción de que se aplica a la utilización de luz de rayos infrarrojos cercanos. (longitud de onda  $\geq 800$  nm).

**ON:** Ajusta el modo al de blanco y negro.

**OFF:** Ajusta el modo al de color.

### Notas:

- Pueden darse casos en los que "AUTO1" o "AUTO2" no funcionen bien si la cámara está orientada a motivos que se mueven continuamente o si una escena se llena de un mismo color, como el del cielo despejado.
- Es posible ajustar el modo del enfoque posterior para compensar el desenfoco que puede producirse cuando la cámara cambia automáticamente entre los modos de color y blanco y negro. Consulte la página 139, Ajuste del enfoque posterior, para encontrar más detalles.

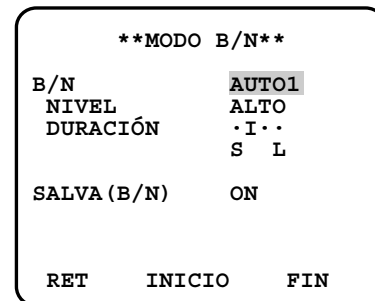
3. Seleccione un nivel de umbral ("NIVEL") para cambiar entre el modo de color y el modo de blanco y negro. El ajuste predeterminado es "ALTO".

**ALTO:** Cambia el modo a aproximadamente iluminación de 5 lux.

**BAJO:** Cambia el modo a aproximadamente iluminación de 1 lux.

4. Seleccione una duración para determinar si debe cambiarse el modo. El ajuste predeterminado es 30 segundos.

**Tiempo disponible:** (Corto) 10 s ↔ 30 s ↔ 60 s ↔ 300 s (Largo)



5. Seleccione un modo de señal de sincronización. El ajuste predeterminado es "ON".

**ON:** Suministra la señal de sincronización (color) con vídeo compuesto de blanco y negro.

**OFF:** No suministra la señal de sincronismo.

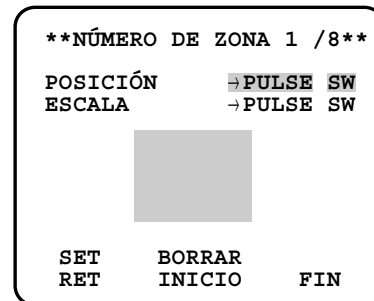
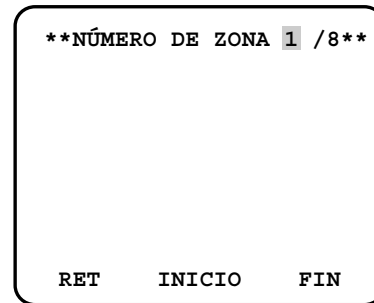
### Nota:

- Normalmente se recomienda emplear "ON". Pruebe los ajustes de "ON" y de "OFF" para adaptarlo a los dispositivos conectados (grabadoras, monitores, etc.) que tienen características distintas.

## 12. Ajuste de zonas privadas (ZONA PRIVADA)

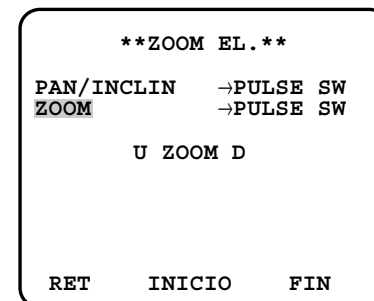
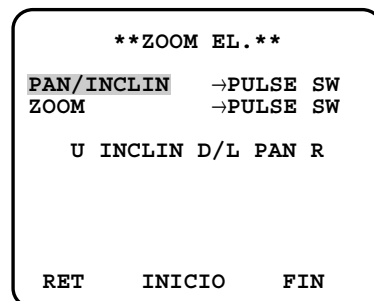
Efectúe los ajustes de hasta ocho zonas privadas que usted desee ocultar en la pantalla del monitor.

1. Seleccione "ON(1)", "ON(2)" u "OFF" para "ZONA PRIVADA" en la página 2 del menú "CONFIG.CAMARA" y presione el botón [SET]. El ajuste predeterminado es "OFF".  
**ON(1):** Oculta la zona con color gris.  
**ON(2):** Oculta la zona con mosaico.  
**OFF:** Muestra las imágenes con normalidad.  
→ Se abrirá el menú de selección "NÚMERO DE ZONA".
2. Seleccione un número de zona en la línea superior empleando los botones [LEFT] y [RIGHT] y presione el botón [SET]. Un número de zona seguido por \* (asterisco) indica que la zona ya ha sido registrada.  
→ Aparecen "POSICIÓN", "ESCALA", y un marco en el menú.
3. Seleccione "→PULSE SW" para "POSICIÓN" y presione el botón [SET].  
→ Se habilita la selección de posiciones.
4. Mueva la parte de la imagen que desee ocultar al centro del marco empleando los botones [LEFT], [RIGHT], [UP], o [DOWN].
5. Seleccione "→PULSE SW" para "ESCALA" y presione el botón [SET].  
→ Se habilita el ajuste de la escala de la zona.
6. Ajuste la escala de la zona empleando los botones [LEFT], [RIGHT], [UP], o [DOWN].
7. Para aplicar los ajustes, mueva el cursor a "SET" y presione el botón [SET].  
→ La pantalla retorna al menú de selección de "NÚMERO DE ZONA".  
Para borrar ajustes, seleccione "BORRAR" y presione el botón [SET].



## 13. Zoom electrónico (ZOOM EL.)

1. Mueva el cursor a "ZOOM EL".
2. Seleccione "ON" u "OFF" presionando los botones [LEFT] y [RIGHT].  
El ajuste predeterminado es "OFF".  
**ON:** El zoom electrónico de 2 aumentos está disponible con el interruptor ZOOM del controlador.  
**OFF:** Se inhabilita la función del zoom electrónico.
3. Mientras el cursor está en "ZOOM EL", presione el botón [SET]. Aparecerá el menú de "ZOOM EL".
4. Mueva el cursor a "→PULSE SW" para "ZOOM", y presione el botón [SET] para visualizar el menú de configuración de "ZOOM".
5. Presione el botón [UP] o [DOWN] para acercar o alejar la imagen.
6. Mueva el cursor a "→PULSE SW" para "PAN/INCLIN" y presione el botón [SET]. Aparecerá el menú de ajuste de "PAN/INCLIN".
7. Presione el botón [LEFT], [RIGHT], [UP], o [DOWN] para cambiar el campo de visión angular.
8. Para volver al menú de "ZOOM EL", presione el botón [SET].



## 14. Estabilizador automático de la imagen (ESTABILIZADOR)

Esta función compensa electrónicamente las imágenes de la cámara inestables debido a movimiento del poste o de la ménsula de montaje. El ajuste predeterminado es "OFF".

**ON:** Compensa automáticamente las imágenes inestables.

**OFF:** El estabilizador de imagen no funciona.

---

### Importante:

- Cuando se ajusta en "ON", la función de estabilización emplea algunos píxeles eficaces del borde del CCD. Esto puede producir cierta reducción de la resolución y del ángulo de visión. Después de haber activado la función del estabilizador de imagen, compruebe que el campo de visión sea correcto.
  - Es posible que no funcione la estabilización de la imagen cuando la cámara se mueva excesivamente o cuando la escena esté muy poco iluminada o tenga objetos de poco contraste.
- 

## 15. Ajuste de LED (LED)

Se selecciona "ON" u "OFF" para determinar si debe utilizarse el LED situado en el lado de esta unidad. El ajuste predeterminado es "ON".

**ON:** Hace que parpadee el LED cuando la función del detector de movimiento (☞ página 135) detecta un cambio en la imagen. Queda encendido en los casos distintos al de arriba.

**OFF:** Mantiene apagado el LED.

## 16. Ajuste del enfoque posterior (CONFIG.PLANO FOCAL)

Efectúe remotamente el ajuste del enfoque posterior (distancia focal posterior:el espacio que hay entre el objetivo y el plano focal) en este menú empleando un controlador del sistema. Después de la instalación, podrá efectuar este ajuste cuando se produzca desenfoque que pueda deberse a mucho tiempo de utilización, a cambios ambientales, etc.

---

### Importante:

- No emplee la función ABF para aplicaciones continuas o repetitivas (como por ejemplo, enfoque automático, etc.). Esta función se utiliza para corregir el desenfoque causado por el cambio entre color y blanco y negro al instalar o después de instalar la cámara.
- 

```

**CONFIG.PLANO FOCAL**
ABF          →PULSE SW
AJUSTE-MANUAL↵
COLOR← →B/N  AUTO
BLOQ.CONFIG. OFF

CERCA              LEJOS
.....I.....
INDICADOR  80
RET      INICIO      FIN
```

1. Seleccione "PLANOFOCAL" en el menú principal y presione el botón [SET].  
→ Se abrirá el menú "CONFIG.PLANO FOCAL".
2. Seleccione "ABF" y presione el botón [SET].  
→ El ajuste se efectúa automáticamente.

---

### Notas:

- Efectuando la función ABF para obtener el mejor enfoque en torno a las zonas centrales de una escena.
  - Sólo podrá efectuar ABF cuando "OFF", "X2 AUTO", o "X2 FIJO" se haya seleccionado para "SENS UP".
  - El empleo de la función ABF en situaciones con poca iluminación puede ocasionar ruido.
- 

3. Seleccione "AJUSTE-MANUAL" y presione el botón [SET] si es necesario realizar el ajuste manual.  
Se abrirá la pantalla de ajuste manual del enfoque posterior.
  - Emplee los botones [LEFT] o [RIGHT] para mover el cursor "I" y obtener un enfoque adecuado.  
→ Consulte el número de 4 dígitos de la segunda línea desde abajo. Cuanto mayor sea el número, mejor será el enfoque.
  - Seleccione "RET" y presione el botón [SET] para volver a la configuración del menú.
4. Seleccione un modo para "COLOR ←→ B/N". El ajuste predeterminado es "AUTO".

**AUTO:** Ajusta automáticamente el enfoque posterior cada vez que se cambia el modo entre color y blanco y negro en la cámara. "AUTO" sólo puede utilizarse cuando se haya seleccionado "OFF", "X2 AUTO" o "X2 FIJO" para "SENS UP".

**PREPO:** Ajusta el enfoque posterior a la posiciones para el modo de color y el modo de blanco y negro que se preajustan efectuando el paso 2 (automático) o el paso 3 (manual) bajo las condiciones respectivas de iluminación.

**FIJO:** Fija el enfoque posterior después del ajuste.

5. Seleccione "ON" u "OFF" para "BLOQ. CONFIG". El ajuste predeterminado es "OFF".

**OFF:** Permite que el botón [SET] abra la pantalla de ajuste del enfoque posterior mientras se visualiza la imagen de la cámara.

**ON:** Incapacita al botón [SET] para abrir la pantalla de ajuste del enfoque posterior.

6. Para reponer el enfoque posterior al ajuste predeterminado, presione simultáneamente los botones [LEFT] y [RIGHT].

**Importante:**

- Seleccione "FIJO" o "PREPO" y ajuste manualmente el enfoque posterior cuando las condiciones siguientes impidan realizar el ajuste automático.
  1. Suciedad o gotas de agua en el vidrio de una ventana  
Esto causa desenfoque del motivo que haya detrás del vidrio.
  2. Motivos en condiciones de poca iluminación
  3. Objetos muy iluminados
  4. Objetos con muy poco contraste como pueda ser una pared blanca o un fieltro fino
  5. Objetos situados en la periferia de la escena
  6. Hay más de un objeto situados con cierta profundidad
  7. Un objeto con cierta profundidad
  8. Objetos en continuo movimiento como en las calles concurridas
  9. Objetos con demasiada fluctuación
  10. Objetos que constan de líneas horizontales, como en la sombra de una ventana
- Panasonic Corporation no se hace responsable de ninguna inconveniencia, daños ni pérdidas causados o atribuidos a unos ajustes inapropiados de la función ABF.

## 17. Menú especial (CONFIG.ESPECIAL)

Seleccione "ESPECIAL" en el menú principal y presione el botón [SET].

→ Se abrirá el menú "CONFIG.ESPECIAL".

### 17-1. Ajuste del nivel cromático (GANANC.CROMA)

Mueva el cursor "I" para ajustar el nivel cromático.

### 17-2. Ajuste de la ganancia de apertura (GANANCIA AP)

Mueva el cursor "I" para ajustar el nivel de la ganancia de apertura.

Reduzca el nivel cuando aparezca muaré (un tipo de ruido, de interferencia óptica) en la pantalla como parte de un pequeño patrón de sombreado, etc.

### 17-3. Ajuste del nivel de pedestal (PEDESTAL)

Mueva el cursor "I" para ajustar el nivel de pedestal (nivel del negro).

### 17-4. Ajuste de compensación de píxeles (PIX OFF)

Efectúe los ajustes para compensar un máximo de 16 píxeles defectuosos en el dispositivo captor.

1. Seleccione "PIX OFF" y presione el botón [SET].  
→ Se abrirá el menú "PIX OFF" con números del 1 al 16.
2. Seleccione un número y presione el botón [SET].  
→ Se abrirá la pantalla de asignación de "PIX OFF" con un cursor +.

```

**CONFIG.ESPECIAL**
GANANC.CROMA  I 160
GANANCIA AP  I 89
PEDESTAL     I 171
              -  +

PIX OFF

RESET CAMARA →PULSE SW

NO SERIE 00000000
RET      INICIO   FIN
```

```

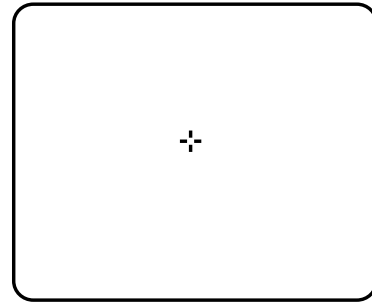
**PIX OFF**

 1   2   3   4
 5   6   7   8
 9  10  11  12
13  14  15  16

000 000

RET      INICIO   FIN
```

3. Mueva el cursor al centro de una posición defectuosa hasta que su aspecto sea menos obvio. Finalmente, presione el botón [SET].
  - Las posiciones horizontal y vertical (coordinación) del defecto se visualizarán con un número de 6 dígitos en la segunda línea desde abajo.
  - La posición defectuosa se registrará para su compensación.
  - La pantalla vuelve a la del menú "PIX OFF" que visualiza el número seguido por un asterisco si ha sido registrado.



4. Repita los pasos de arriba como sea necesario.
5. Para cancelar un registro, seleccione un número con asterisco en el menú "PIX OFF" y presione el botón [SET].
  - Se abrirá la pantalla de asignación de "PIX OFF". Mantenga presionados simultáneamente los botones [LEFT] y [RIGHT] durante 2 o más segundos.
  - Aparecerá el menú "PIX OFF" mostrando el número sin el asterisco si se ha cancelado su registro.

### **17-5. Para reponer los ajustes predeterminados (RESET CAMARA)**

1. Seleccione "RESET CAMERA".
  - Las palabras "→PULSE SW" se encenderán.
2. Mientras mantiene presionados los botones [LEFT] y [RIGHT], presione el botón [SET] durante 2 o más segundos.
  - La cámara retornará a los ajustes predeterminados.

---

**Nota:**

- El ajuste "PIX OFF" no puede inicializarse.
- 

### **17-6. Se visualizará el número de serie de la cámara. (NO SERIE)**

# Solución de problemas

Antes de solicitar reparaciones, compruebe los síntomas en la tabla siguiente. Si no puede resolver el problema después de comprobar y probar las soluciones de la tabla, o si el problema no está descrito a continuación, póngase en contacto con su proveedor.

Síntoma	Causa/solución	Páginas de referencia
No se visualiza la imagen	<ul style="list-style-type: none"> <li>¿Están el cable de alimentación y el cable coaxial correctamente conectados? → Compruebe si la conexión está correctamente establecida.</li> </ul>	122
	<ul style="list-style-type: none"> <li>¿Se ha ajustado correctamente la luminancia del monitor, o se ha ajustado correctamente el contraste? → Compruebe si los ajustes del monitor son adecuados.</li> </ul>	-
Imagen borrosa	<ul style="list-style-type: none"> <li>¿Hay suciedad o polvo en el objetivo de la cámara? → Compruebe si el objetivo de la cámara está limpio.</li> </ul>	-
	<ul style="list-style-type: none"> <li>¿Se ha ajustado correctamente el enfoque? → Compruebe si se ha ajustado correctamente el enfoque.</li> </ul>	124
Funda del cable de alimentación dañada	<ul style="list-style-type: none"> <li>El cable de alimentación está dañado. El empleo del cable dañado puede causar descargas eléctricas o incendios. Desconecte inmediatamente la alimentación y solicite a su distribuidor que la repare.</li> </ul>	-
Parte calentada del cable de alimentación durante la utilización.		
Se calienta el cable de la alimentación o la conexión está floja debido a combaduras o tiros durante la utilización.		
El LED no se enciende.	<ul style="list-style-type: none"> <li>¿Se suministra alimentación a la cámara? → Compruebe si se suministra alimentación a la cámara.</li> </ul>	-
	<ul style="list-style-type: none"> <li>¿Se ha seleccionado "ON" para el ajuste del LED? → Compruebe si se ha seleccionado "ON" para el ajuste del LED.</li> </ul>	139

# Especificaciones

## ● Cámaras CCTV en color

Alimentación y consumo de energía:	WV-CW384: 24 V CA 50 Hz, 18 W, 12 V CC, 560 mA WV-CW380: 220 V - 240 V CA, 50 Hz, 14 W
Sensor de imagen:	CCD de transferencia interlineal del tipo de 1/3 pulgadas
Píxeles eficaces:	752 (H) x 582 (V)
Área de exploración:	4,8 mm (H) x 3,6 mm (V)
Sistema de exploración:	Entrelazado de 2:1
Frecuencia de exploración:	Horizontal: 15,625 kHz, Vertical: 50,00 Hz
Sincronización:	Excitación vertical multiplexada (VD2), bloqueo de línea (BLQ.LÍNEA), interna (INTERNAL)
Resolución:	Horizontal: 570 líneas de TV (modo B/N), 540 TV líneas de TV, 520 líneas de TV mín. (modo de color, definición: ALTO) Vertical: 400 líneas de TV (en el centro)
Iluminación mínima:	Modo de color: 0,65 lux (aumento de la sensibilidad OFF, AGC ALTO: F1,6, WIDE) 0,065 lux (aumento de la sensibilidad 10x, AGC ALTO: F1,6, WIDE)* Modo B/N: 0,09 lux (aumento de la sensibilidad OFF, AGC ALTO: F1,6, WIDE) 0,009 lux (aumento de la sensibilidad 10x, AGC ALTO: F1,6, WIDE)* * Valor convertido
Relación de señal/ruido:	50 dB (AGC desactivado)
Gama dinámica:	54 dB típica
Salida de video:	1,0 V[P-P] PAL compuesta/75 Ω, conector BNC
Salida de monitor:	1,0V[P-P] PAL, compuesta/75 Ω, minitoma de 3,5 mmø (monofónica)
Funciones	
Título de cámara:	Hasta 16 caracteres (caracteres alfanuméricos, marcas)
Control de la iluminación:	ALC
Súper Dinámico 3:	ON/OFF
Velocidad del obturador electrónico:	OFF (1/50), 1/120, 1/250, 1/500, 1/1 000, 1/2 000, 1/4 000, 1/10 000
Control de ganancia:	ON (ALTO)/ON (MEDIO)/ON (BAJO)/OFF
Aumento de la sensibilidad:	OFF, X2 AUTO, X4 AUTO, X6 AUTO, X10 AUTO, X2 FIJO, X4 FIJO, X6 FIJO, X10 FIJO, X16 FIJO, X32 FIJO
Sincronización:	VD2/BLQ.LÍNEA/INTERNAL
Equilibrio del blanco:	ATW1/ATW2/AWC
Detección de movimiento de video:	MODE1/MODE2/OFF
Reducción de ruido digital:	ALTO/BAJO
Resolución:	NORMAL/ALTO
Color/blanco y negro:	AUTO1/AUTO2/ON/OFF
Zonas privadas:	ON(1)/ON(2)/OFF
Zoom electrónico:	ON*/OFF (* Hasta 2x)
Estabilizador de imagen:	ON/OFF
LED:	ON/OFF
Distancia focal posterior:	ABF (AUTO/PREPO/FIJO), AJUSTE-MANUAL
Especial:	GANANC.CROMA, GANANCIA AP, PEDESTAL, PIX OFF
Idioma:	ENGLISH, FRANÇAIS, ESPAÑOL, DEUTSCH, ITALIANO, РУССКИЙ, CHINESE o JAPANESE
Temperatura ambiental de funcionamiento:	-30 °C a +50 °C* * -10 °C a +50 °C a 12 V CC
Humedad ambiental de funcionamiento:	90 % o menos (sin condensación)
Impermeabilidad:	Cámara: IEC60529 (IP66, contra la entrada de agua con fuertes vibraciones de efectos perjudiciales)* * Sólo es aplicable cuando se han efectuado correctamente la instalación o el proceso de impermeabilización.
Dimensiones:	82 mm (An) x 78 mm (Al) x 301 mm (Prf)
Peso:	1,5 kg
Acabado:	Cubierta del objetivo: Aluminio presofundido con revestimiento plateado metálico Cuerpo principal: Resina AES con revestimiento plateado metálico

### ● Objetivo

Distancia focal:	f=5 mm - 40 mm (objetivo de distancia focal variable de 8x)
Número F:	F1,6 (WIDE) - F1,9 (TELE)
Margen de enfoque:	$\infty$ - 1,2 m
Ángulo de visión:	Horizontal: 6,6 ° (TELE) - 52,0 ° (WIDE) Vertical: 5,0 ° (TELE) - 39,6 ° (WIDE)

### ● Ménsula de montaje de la cámara

Ángulo de ajuste:	Margen de panoramización: $\pm 100^\circ$ Margen de inclinación: $+30^\circ$ , $-90^\circ$
Dimensiones:	125 mm (An) x 125 mm (Al) x 143 mm (Prf)
Peso:	240 g
Acabado:	Aluminio presofundido con revestimiento plateado metálico

### ● Caja del adaptador

Dimensiones:	133 mm (An) x 133 mm (Al) x 50 mm (Prf)
Peso:	510 g
Acabado:	Aluminio presofundido con revestimiento plateado metálico

Los pesos y dimensiones indicados son aproximados.

## Accesorios estándar

Manual de Instrucciones (este documento) .....	1 pieza
Lo siguiente es para la instalación.	
Ménsula de montaje de la cámara .....	1 pieza
Cubierta de la ménsula de montaje .....	2 piezas
Protector contra el sol .....	1 pieza
Rosca para trípode .....	1 pieza
Caja del adaptador .....	1 pieza
Tornillos de fijación de la cámara (M4 x 8) .....	4 piezas
(incluyendo 1 tornillo de repuesto)	
Tornillos de la cubierta de la ménsula de montaje (M3 x 6) .....	3 piezas
(incluyendo 1 tornillo de repuesto)	
Tornillo de montaje de la caja del adaptador (M4 x 35) .....	1 pieza
Tornillos de montaje para la caja del adaptador/ménsula de montaje de la cámara (M5 x 20) .....	5 piezas
(incluyendo 1 tornillo de repuesto)	
Tornillos de montaje del protector contra el sol (M3 x 6) .....	5 piezas
(incluyendo 1 tornillo de repuesto)	
Tornillos de montaje para la rosca para trípode (M3 x 8) .....	4 piezas
Desecante .....	1 pieza
Cinta impermeable .....	1 pieza



### **Información sobre la eliminación para los usuarios de equipos eléctricos y electrónicos usados (particulares)**



La aparición de este símbolo en un producto y/o en la documentación adjunta indica que los productos eléctricos y electrónicos usados no deben mezclarse con la basura doméstica general.

Para que estos productos se sometan a un proceso adecuado de tratamiento, recuperación y reciclaje, llévelos a los puntos de recogida designados, donde los admitirán sin coste alguno. En algunos países existe también la posibilidad de devolver los productos a su minorista local al comprar un producto nuevo equivalente.

Si desecha el producto correctamente, estará contribuyendo a preservar valiosos recursos y a evitar cualquier posible efecto negativo en la salud de las personas y en el medio ambiente que pudiera producirse debido al tratamiento inadecuado de desechos. Póngase en contacto con su autoridad local para que le informen detalladamente sobre el punto de recogida designado más cercano.

De acuerdo con la legislación nacional, podrían aplicarse multas por la eliminación incorrecta de estos desechos.

### **Para empresas de la Unión Europea**

Si desea desechar equipos eléctricos y electrónicos, póngase en contacto con su distribuidor o proveedor para que le informe detalladamente.

### **Información sobre la eliminación en otros países no pertenecientes a la Unión Europea**

Este símbolo sólo es válido en la Unión Europea.

Si desea desechar este producto, póngase en contacto con las autoridades locales o con su distribuidor para que le informen sobre el método correcto de eliminación.

# VERSIONE ITALIANA

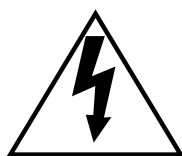
(ITALIAN VERSION)

## AVVERTENZA:

- Questa apparecchiatura deve essere messa a massa.
- Tutte le procedure relative all'installazione di questo prodotto devono essere eseguite da personale di assistenza qualificato o installatori di sistema.
- I collegamenti devono essere conformi alla normativa elettrica locale.

## PRECAUZIONE:

Prima di cercare di collegare o di far funzionare questo apparecchio, leggere l'etichetta situata sul pannello inferiore.



Il fulmine con punta a freccia all'interno del triangolo equilatero è inteso ad avvertire l'utente della presenza all'interno dell'apparecchio di una "tensione pericolosa" non isolata d'ampiezza sufficiente a costituire un pericolo di scossa elettrica.



Il punto esclamativo all'interno del triangolo equilatero è inteso ad avvertire l'utente della presenza di importanti istruzioni sull'uso e la manutenzione (servizio) nella pubblicazione che accompagna l'apparecchio.

Togliere l'alimentazione dall'interruttore generale per scollegare l'alimentazione principale per tutte le unità.

## PRECAUZIONE:

Un **INTERRUTTORE PRINCIPALE OMNIPOLARE** con una separazione di contatto di almeno 3 mm in ciascun polo deve essere incorporato nell'impianto elettrico dell'edificio.

Noi dichiariamo sotto nostra esclusiva responsabilità che il prodotto a cui si riferisce la presente dichiarazione risulta conforme ai seguenti standard o altri documenti normativi conformi alle disposizioni delle direttive 2006/95/CE e 2004/108/CE.

## PER LA PROPRIA SICUREZZA SI PREGA DI LEGGERE ATTENTAMENTE IL TESTO SEGUENTE.

**AVVERTENZA: Questa apparecchiatura deve essere messa a massa**

### IMPORTANTE

I fili in questo cavo di alimentazione principale sono colorati conformemente al codice seguente.

Verde e giallo: Massa

Blu: Neutro

Marrone: Sotto tensione

Poiché i colori dei fili nel cavo di alimentazione principale di questa apparecchiatura possono non corrispondere ai segni colorati che identificano i terminali nella propria spina, procedere come segue.

Il cavo di colore **verde e giallo** deve essere collegato al terminale nella spina che è contrassegnato con la lettera **E** o con il simbolo di massa  $\perp$  o è di colore **verde o verde e giallo**.

Il cavo di colore **blu** deve essere collegato al terminale nella spina che è contrassegnato con la lettera **N** o è di colore **nero**.

Il cavo di colore **marrone** deve essere collegato al terminale nella spina che è contrassegnato con la lettera **L** o è di colore **rosso**.

# INDICE

Istruzioni per la sicurezza importanti .....	148
Limitazione di responsabilità .....	149
Esonero dalla garanzia .....	149
Prefazione .....	150
Caratteristiche .....	150
Precauzioni .....	151
Principali controlli operativi e loro funzioni .....	152
Precauzioni per l'installazione .....	153
Installazioni/Collegamenti .....	154
■ Preparativi .....	154
■ Installazione della telecamera .....	154
Riguardo ai menu di configurazione .....	165
■ Operazioni di base .....	166
Procedure di impostazione .....	167
Configurazione della lingua (LANGUAGE SETUP) .....	167
1. Regolazione dell'identificazione della telecamera (ID CAMERA) .....	167
2. Impostazione della modalità di controllo della luce (ALC) .....	168
3. Impostazione della velocità dell'otturatore (OTTURATORE) .....	169
4. Regolazione del controllo del guadagno (AGC) .....	170
5. Miglioramento della sensibilità elettronico (SENS UP) .....	170
6. Regolazione della sincronizzazione (SINC) .....	170
7. Regolazione del bilanciamento del bianco (BIL.BIANCO) .....	171
8. Regolazione della rivelazione di movimento (MOTION DET) .....	171
9. Regolazione della riduzione del rumore digitale [Digital Noise Reduction (DNR)] .....	173
10. Regolazione della risoluzione (RISOLUZIONE) .....	173
11. Regolazione della modalità bianco e nero (MODALITA' BN) .....	173
12. Regolazione della zona di privacy (ZONA PRIVACY) .....	174
13. Zoom elettronico (EL-ZOOM) .....	174
14. Stabilizzatore automatico dell'immagine (STABILIZZAT.) .....	175
15. Impostazione del LED (LED) .....	175
16. Regolazione del fuoco posteriore (IMPOSTA BACK-FOCUS) .....	175
17. Menu speciale (CONFIG. SPECIALE) .....	176
Correzione dei difetti di funzionamento .....	178
Dati tecnici .....	179
Accessori standard .....	180

## Istruzioni per la sicurezza importanti

- 1) Leggere queste istruzioni.
- 2) Conservare queste istruzioni.
- 3) Tener conto di tutte le avvertenze.
- 4) Seguire tutte le istruzioni.
- 5) Pulire soltanto con un panno asciutto.
- 6) Non bloccare alcuna fessura per la ventilazione. Installare in conformità con le istruzioni del produttore.
- 7) Non installare vicino a qualsiasi fonte di calore come radiatori, valvole di regolazione del calore, stufe o altre apparecchiature (inclusi amplificatori) che producono calore.
- 8) Non vanificare l'obiettivo di sicurezza della spina polarizzata o con messa a terra. Una spina polarizzata ha due lame di cui una più larga dell'altra. Una spina con messa a terra ha due lame e un terzo polo per la messa a terra. La lama più larga o il terzo polo sono forniti per la sicurezza. Se la spina fornita non è adatta alla propria presa, consultare un elettricista per la sostituzione della presa obsoleta.
- 9) Proteggere il cavo di alimentazione in modo che non venga calpestato o pizzicato particolarmente presso le spine, le prese di corrente e nel punto dove fuoriesce dall'apparecchiatura.
- 10) Utilizzare soltanto accessori specificati dal produttore.
- 11) Utilizzare soltanto con il carrello, il supporto, il cavalletto, la staffa o il piano specificati dal produttore o venduti con l'apparecchiatura. Quando si utilizza un carrello, prestare attenzione quando si sposta la combinazione di carrello/apparecchiatura per evitare ferite causate da rovesciamenti.



- 12) Disinserire la spina di questa apparecchiatura durante i temporali con fulmini o quando non la si utilizza per lunghi periodi di tempo.

## Limitazione di responsabilità

QUESTA PUBBLICAZIONE VIENE FORNITA "COSÌ COM'È" SENZA GARANZIE DI NESSUN GENERE, SIANO ESSE ESPRESSE O IMPLICITE, INCLUSE MA NON LIMITATE ALLE GARANZIE IMPLICITE DI COMMERCIALIZZABILITÀ, IDONEITÀ PER QUALSIASI FINE PARTICOLARE O NON VIOLAZIONE DEI DIRITTI DI TERZI.

QUESTA PUBBLICAZIONE POTREBBE CONTENERE INESATTEZZE TECNICHE O ERRORI TIPOGRAFICI. MODIFICHE VENGONO AGGIUNTE ALLE INFORMAZIONI QUI CONTENUTE, IN QUALSIASI MOMENTO, PER IL MIGLIORAMENTO DI QUESTA PUBBLICAZIONE E/O DEL(-I) PRODOTTO(-I) CORRISPONDENTE(-I).

## Esonero dalla garanzia

IN NESSUN CASO Panasonic Corporation DOVRÀ ESSERE RITENUTA RESPONSABILE NEI CONFRONTI DI ALCUNA PARTE O PERSONA, FATTA ECCEZIONE PER LA SOSTITUZIONE O LA MANUTENZIONE RAGIONEVOLE DEL PRODOTTO, NEI CASI, INCLUSI MA NON LIMITATI AI SEGUENTI:

- (1) QUALSIASI DANNO E PERDITA, INCLUSI SENZA LIMITAZIONE, QUELLI DIRETTI O INDIRETTI, SPECIALI, CONSEGUENTI O ESEMPLARI, DERIVATI O RELATIVI AL PRODOTTO;
- (2) LESIONI PERSONALI O QUALSIASI DANNO CAUSATO DALL'UTILIZZO SCORRETTO O DALL'ESECUZIONE NEGLIGENTE DI OPERAZIONI DA PARTE DELL'UTENTE;
- (3) SMONTAGGIO, RIPARAZIONE O MODIFICA NON AUTORIZZATI DEL PRODOTTO DA PARTE DELL'UTENTE;
- (4) INCONVENIENTI O QUALSIASI PERDITA DERIVATI DALLA MANCATA VISUALIZZAZIONE DELLE IMMAGINI, DOVUTI A QUALSIASI MOTIVO O CAUSA INCLUSI QUALSIASI GUASTO O PROBLEMA DEL PRODOTTO;

- (5) QUALSIASI PROBLEMA, CONSEGUENTE INCONVENIENTE, PERDITA O DANNO DERIVATO DAL SISTEMA COMBINATO CON DISPOSITIVI DI TERZI;
- (6) QUALSIASI RICHIESTA DI RISARCIMENTO O AZIONE LEGALE PER DANNI, AVVIATA DA QUALSIASI PERSONA O ORGANIZZAZIONE IN QUANTO SOGGETTO FOTOGENICO, A CAUSA DELLA VIOLAZIONE DELLA PRIVACY RISULTATA DAL FATTO CHE UNA CERTA IMMAGINE DELLA TELECAMERA DI SORVEGLIANZA, INCLUSI I DATI SALVATI, PER QUALCHE MOTIVO, VENGA RESA PUBBLICA O VENGA UTILIZZATA PER SCOPI DIVERSI DA QUELLI DI SORVEGLIANZA.

## Prefazione

Le telecamere Panasonic WV-CW384 e WV-CW380 introducono un'alta qualità dell'immagine mediante l'utilizzo di un CCD da tipo 1/3" Super-Dynamic e LSI di elaborazione del segnale digitale. Queste telecamere sono progettate per l'installazione a parete o a soffitto, utilizzando la staffa di montaggio della telecamera fornita.

## Caratteristiche

### **Introduzione del SUPER-D3 (Funzione Super Dynamic)**

L'integrazione del SUPER-D3 nel CCD e del circuito di elaborazione del segnale permette di raggiungere una gamma dinamica circa 160 volte superiore in confronto con una telecamera convenzionale. Pertanto, un soggetto fotografico sul quale esiste molta differenza di illuminazione risultante da aree luminose e scure può essere visualizzato con naturalezza in un'immagine.

### **Dotazione della funzione del fuoco posteriore automatico (ABF)**

La regolazione del fuoco posteriore può essere eseguita attraverso i tasti delle operazioni su questa unità ed il menu di configurazione.

Il fuoco posteriore può essere regolato remotamente attraverso la tastiera di controllo del sistema (opzionale) anche dopo l'installazione di questa unità. La funzione del fuoco posteriore automatico consente inoltre agli utenti di correggere la mancata messa a fuoco quando si verifica il passaggio tra immagini a colori ed in bianco e nero.

### **Alta sensibilità ottenuta grazie alla funzione di riduzione del rumore**

L'introduzione della progettazione del circuito a basso rumore ha permesso di raggiungere un'eccellente alta sensibilità risultante in un'illuminazione minima di 0,65 lux nella modalità colore e 0,09 lux nella modalità bianco e nero.

### **Dotazione della funzione di attivazione dell'immagine monocromatica notturna**

Non è necessaria nessuna operazione di notte, in quanto l'immagine passa automaticamente dalla modalità colore alla modalità bianco e nero in condizioni di scarsa illuminazione.

### **Dotazione della funzione del rivelatore di movimento**

Se viene osservato movimento sul monitor, la telecamera viene coperta con un panno, un cappuccio o simili, oppure viene cambiata la direzione della telecamera durante il monitoraggio, viene fornito un segnale di allarme.

# Precauzioni

## Questo prodotto non ha un interruttore di alimentazione.

L'alimentazione viene fornita da un dispositivo di alimentazione esterno a 12 V CC/24 V CA (WV-CW384) o 220 V - 240 V CA (WV-CW380). Consultare il personale di assistenza per il metodo di accensione / spegnimento.

## Per un utilizzo continuo con prestazioni stabili

- Le parti di questo prodotto possono deteriorarsi e si può accorciare la durata della vita del prodotto quando lo si utilizza in posizioni soggette ad alte temperature e forte umidità.

Non esporre il prodotto a calore diretto quale quello da un riscaldatore.

- Utilizzare questo prodotto ad una temperatura compresa fra i  $-30^{\circ}\text{C}$  ed i  $+50^{\circ}\text{C}$ \* ed un'umidità inferiore al 90 %.

\* Da  $-10^{\circ}\text{C}$  a  $+50^{\circ}\text{C}$  a 12 V CC

## Non lasciar cadere parti metalliche nelle fessure.

Questo potrebbe danneggiare permanentemente questo prodotto. Spegnerlo immediatamente e rivolgersi a personale di assistenza qualificato per la riparazione.

## Non sfregare i bordi delle parti metalliche con le mani.

La mancata osservanza di questa precauzione può causare ferite.

## Non tentare di smontare questo prodotto.

Per prevenire scosse elettriche, non rimuovere viti o coperchi.

Non ci sono parti riparabili dall'utente all'interno.

Per la manutenzione rivolgersi a personale di assistenza qualificato.

## Maneggiare questo prodotto con cura.

Non maltrattare questo prodotto. Evitare di colpirlo, scuoterlo, etc.

Il prodotto potrebbe essere danneggiato se trattato o custodito scorrettamente.

## Pulitura del corpo di questo prodotto

Spegnere il prodotto quando lo si pulisce. Utilizzare un panno asciutto per pulire il prodotto. Non utilizzare detergenti abrasivi forti quando si pulisce il corpo del prodotto. Nel caso in cui lo sporco sia difficile da rimuovere, utilizzare un detergente delicato e strofinare con delicatezza. Pulire poi il detergente rimasto con un panno asciutto.

In caso contrario, si può causare scolorimento. Quando si utilizza un panno chimico per la pulitura, leggere le precauzioni fornite con il panno chimico.

## Pulire con attenzione l'obiettivo.

Non pulire l'obiettivo con detergenti forti o abrasivi. Utilizzare tessuto per obiettivi o un applicatore con la punta di cotone ed etanolo.

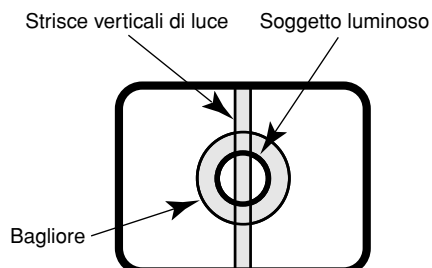
## Scolorimento sul filtro colore del CCD

Quando si filma costantemente una fonte di luce forte come un riflettore, il filtro colore del CCD può deteriorarsi e può causare scolorimento.

Anche quando si cambia la direzione fissa della ripresa dopo aver filmato costantemente un riflettore per un certo periodo, lo scolorimento può rimanere.

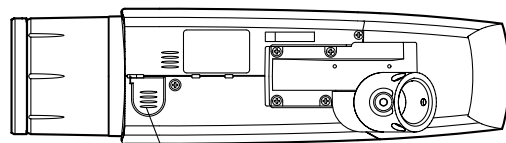
## Non indirizzare questo prodotto verso fonti di luce forte.

Una fonte di luce, come un riflettore, causa bagliori (dispersione di luce) o strisce verticali di luce (linee verticali).



## Riguardo al dispositivo di deumidificazione

- Questo prodotto possiede un dispositivo di deumidificazione per mantenere l'interno ad un basso livello di umidità, prevenire la condensazione e dissipare rapidamente l'umidità se si formasse.
- Si può formare condensazione a seconda delle condizioni di temperatura, umidità, vento e pioggia e può occorrere tempo per deumidificare.
- Non sigillare mai le superfici del dispositivo di deumidificazione.



Dispositivo di deumidificazione

## Spegnere l'interruttore automatico che fornisce l'alimentazione a questo prodotto quando si incontrano condizioni anomale.

## Non utilizzare questo prodotto al di fuori dei valori specificati di temperatura, umidità o alimentazione.

Utilizzare questo prodotto ad una temperatura compresa fra i  $-30^{\circ}\text{C}$  ed i  $+50^{\circ}\text{C}$ \* ed un'umidità inferiore al 90 %. L'alimentazione di ingresso è 12 V CC/24 V CA (WV-CW384) o 220 V - 240 V CA (WV-CW380).

\* Da  $-10^{\circ}\text{C}$  a  $+50^{\circ}\text{C}$  a 12 V CC

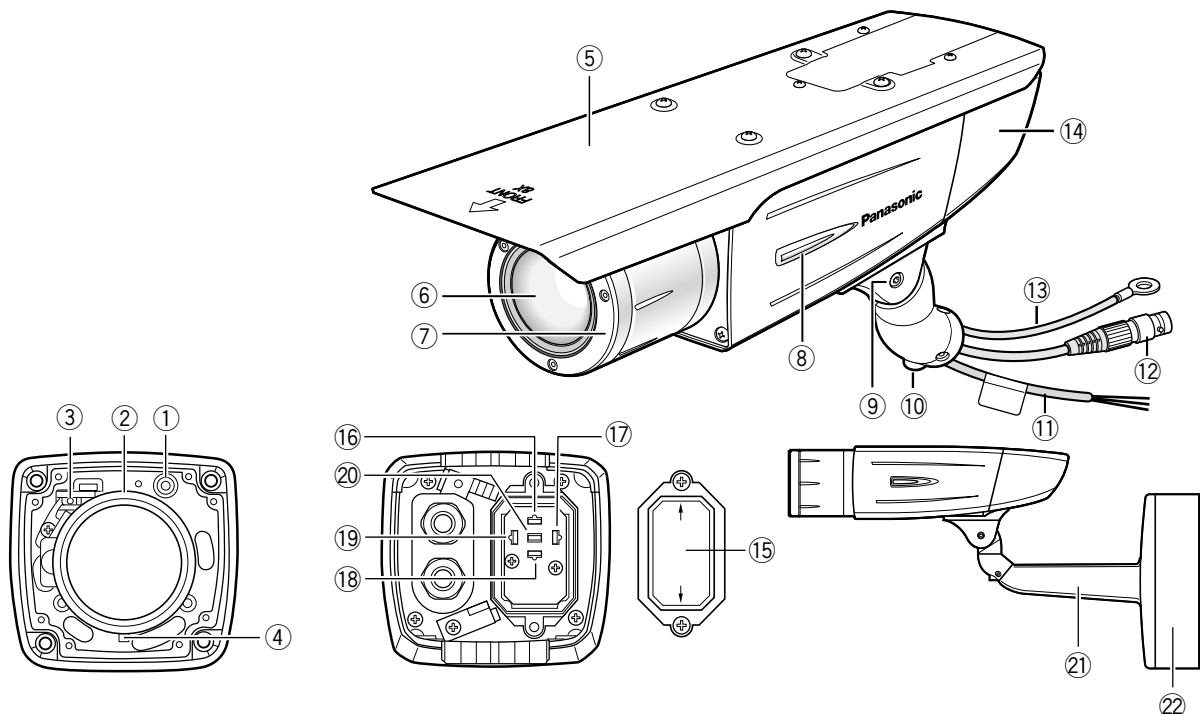
## Utilizzo a basse temperature

- Per utilizzare la telecamera a temperature di  $-10^{\circ}\text{C}$  o inferiori, occorreranno 30 minuti o più dopo l'accensione affinché la telecamera si riscaldi.
- Le immagini possono essere disturbate in quanto il riscaldatore integrato viene automaticamente acceso e spento in conseguenza di un cambiamento nell'ambiente di utilizzo.

## Cosa fare se appare OVER HEAT sul display.

Questo messaggio indica che l'interno di questo prodotto si è surriscaldato. Spegnerlo immediatamente il prodotto e rivolgersi al proprio rivenditore.

# Principali controlli operativi e loro funzioni



① **Connettore a spina dell'uscita del monitor (minijack ø3,5 mm (monofonico))**

Si collega ad un monitor per la regolazione dell'angolo visuale e della messa a fuoco.

② **Anello di regolazione dello zoom**

Regola la posizione dello zoom. (☞ pagina 160)

③ **Tasto del fuoco posteriore automatico**

Attiva la funzione del fuoco posteriore automatico.

④ **Manopola di blocco della messa a fuoco**

Blocca il punto focale. (☞ pagina 160)

⑤ **Schermo solare (accessorio)**

⑥ **Lente anteriore**

⑦ **Coperchio dell'obiettivo**

Protegge l'obiettivo. Il coperchio dell'obiettivo viene rimosso durante la regolazione dell'obiettivo. Dopo la regolazione dell'obiettivo, le viti di fissaggio devono essere strette saldamente. (☞ pagina 159)

⑧ **LED**

Si accende, lampeggia o si spegne a seconda delle impostazioni. (☞ pagina 175)

⑨ **Vite di blocco del brandeggio verticale**

Blocca la posizione di brandeggio verticale. (☞ pagina 159)

⑩ **Vite di blocco del brandeggio orizzontale**

Blocca la posizione di brandeggio orizzontale. (☞ pagina 159)

⑪ **Cavo di alimentazione**

**Precauzione:**

- Questo cavo fornisce 12 V CC/24 V CA (WV-CW384) o 220 V - 240 V CA (WV-CW380) da un alimentatore esterno.

⑫ **Cavo di uscita video**

⑬ **Cavo di sicurezza**

⑭ **Coperchio posteriore**

⑮ **Coperchio dei commutatori**

Questo coperchio viene rimosso durante l'utilizzo dei tasti delle operazioni. Dopo l'utilizzo dei tasti, le viti di fissaggio devono essere strette saldamente. (☞ pagina 161)

⑯ - ⑳ **Tasti delle operazioni**

⑯ **Tasto Su (UP)**

⑰ **Tasto Destra (RIGHT)**

⑱ **Tasto Giù (DOWN)**

⑲ **Tasto Sinistra (LEFT)**

⑳ **Tasto di impostazione (SET)**

㉑ **Staffa di montaggio della telecamera (accessorio)**

㉒ **Adattatore (accessorio)**



# Precauzioni per l'installazione

## Posizione di installazione

Rivolgersi al proprio rivenditore per assistenza se non si è sicuri di una posizione appropriata nel proprio particolare ambiente.

Accertarsi che l'area di installazione sia sufficientemente robusta per sostenere questo prodotto, come un soffitto di cemento. Se l'area di installazione non fosse sufficientemente robusta, rinforzarla ed irrobustirla.

## Evitare l'installazione di questo prodotto nelle seguenti posizioni.

- Posizioni dove viene utilizzato un agente chimico quali una piscina
- Posizioni soggette a vapore e fumi oleosi quali una cucina
- Posizioni in prossimità di gas o vapori infiammabili
- Posizioni dove vengono prodotte emissioni di radiazioni o raggi X
- Posizioni soggette a forti campi magnetici o onde radio
- Posizioni dove vengono prodotti gas corrosivi
- Posizioni dove possono essere causati danni dall'aria salmastra quali le rive del mare
- Posizioni dove la temperatura non è compresa tra  $-30\text{ °C}$  e  $+50\text{ °C}$ \*
- \* Da  $-10\text{ °C}$  a  $+50\text{ °C}$  a 12 V CC
- Posizioni soggette a vibrazioni (Questo prodotto non è progettato per l'utilizzo su veicoli.)

## Accertarsi di rimuovere questo prodotto se non lo si sta utilizzando.

## Bilanciamento del bianco

Il bilanciamento del bianco può non essere regolato correttamente nei seguenti casi.

- Quando un soggetto è estremamente meno bianco o quasi monocoloro
- Quando un soggetto si trova all'esterno il mattino o la sera in condizioni di scarsa illuminazione
- Quando un soggetto si trova in un'ambiente con una temperatura di colore estremamente differente (ad es. sotto illuminazione colorata)

## Tenere il cavo di uscita video lontano dal cavo dell'illuminazione.

La mancata osservanza di questa precauzione può causare disturbo.

## Interferenza radio

Quando questo prodotto viene utilizzato vicino ad una antenna TV/radio, un campo elettrico o un campo magnetico forte (vicino ad un motore o ad un trasformatore), le immagini possono essere distorte e si può produrre rumore sonoro. In tal caso, far passare il cavo della telecamera attraverso tubi protettivi specifici.

## Viti di montaggio

Vengono fornite soltanto le viti di fissaggio per fissare questo prodotto con la staffa di montaggio fornita. È necessario procurarsi viti o bulloni per montare il prodotto. Prepararli a seconda del materiale e della robustezza dell'area dove si deve installare il prodotto.

Le viti ed i bulloni devono essere stretti con un momento di torsione dell'avvitamento adeguato a seconda del materiale e della robustezza dell'area di installazione. Dopo aver stretto le viti o i bulloni, eseguire un controllo visivo per assicurarsi che l'avvitamento sia sufficiente e non ci sia gioco.

## Tubazione per cavi

Se questo prodotto viene utilizzato all'esterno, assicurarsi di installare tubi di collegamento e far correre i cavi nei tubi per proteggere i cavi dal gelo o dalla luce solare diretta.

**Precauzione:**

COLLEGARE QUESTA APPARECCHIATURA ESCLUSIVAMENTE AD UN ALIMENTATORE CLASSE 2 A 24 V CA o 12 V CC. (WV-CW384)

## ■ Preparativi

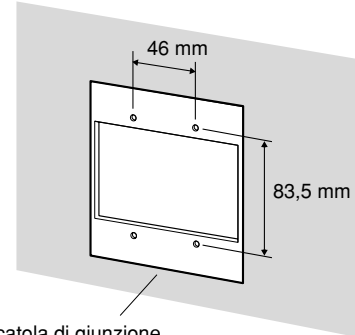
La telecamera può essere montata in entrambi i modi seguenti.

- Montaggio della telecamera direttamente su una parete
- Montaggio della telecamera su una parete utilizzando un adattatore

**Nota:**

- Le viti per fissare la staffa di montaggio della telecamera su una parete non sono fornite. Preparare le viti a seconda del materiale, della struttura, della robustezza e di altri fattori dell'area di montaggio e del peso totale degli oggetti da montare.

[Posizione per il montaggio a parete]



Scatola di giunzione  
(procurata localmente)

**Importante:**

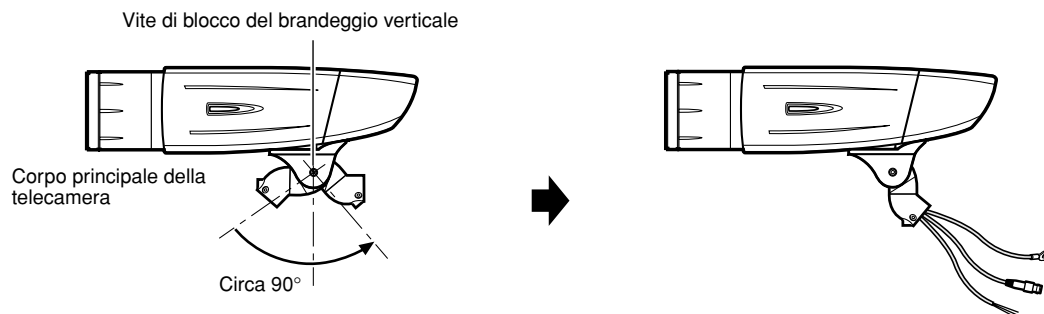
- Preparare le viti di montaggio a seconda del materiale dell'area dove si deve installare la staffa di montaggio della telecamera. In questa circostanza non si devono utilizzare viti e chiodi da legno. Momento di torsione dell'avvitamento consigliato M4: 1,6 N·m
- La capacità di trazione richiesta di una singola vite/bullone è di 196 N o superiore.
- Se un pannello di soffittatura quale un pannello di cartongesso fosse troppo debole per supportare il peso totale, l'area dovrà essere sufficientemente rinforzata.
- Quando si utilizza l'adattatore fornito, assicurarsi che le fessure di drenaggio non siano rivolte verso l'alto.

## ■ Installazione della telecamera

### 1 Fissare la telecamera sulla staffa di montaggio della telecamera

L'angolo di brandeggio verticale è bloccato verso il basso alla spedizione.

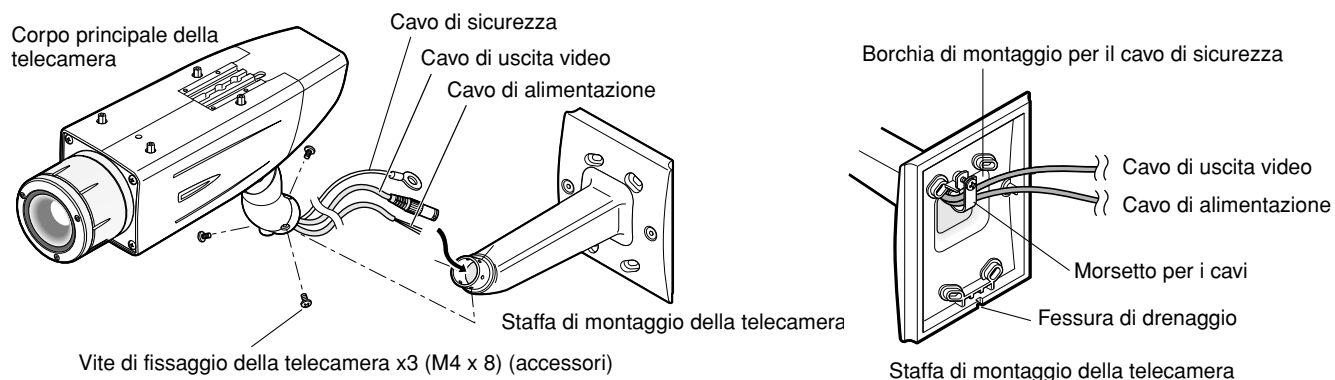
1. Allentare la vite di blocco del brandeggio verticale facendo circa un giro e regolare l'angolo di brandeggio verticale della telecamera nella posizione orizzontale.
2. Stringere nuovamente la vite di blocco del brandeggio verticale dopo la regolazione dell'angolo di brandeggio verticale.

**Nota:**

- Utilizzare una chiave esagonale A/F (interpiano) da 4 mm (procurata localmente) per allentare o stringere la vite di blocco del brandeggio verticale.

3. Far passare il cavo di uscita video, il cavo di alimentazione ed il cavo di sicurezza attraverso la staffa di montaggio della telecamera dalla parte della telecamera alla parte della parete ed utilizzare il morsetto fermacavi per legare i cavi.

4. Fissare la telecamera sulla staffa di montaggio con le 3 viti di fissaggio della telecamera (accessori).



5. Rimuovere la vite dalla borchia di montaggio per il cavo di sicurezza della staffa di montaggio della telecamera e fissare il cavo di sicurezza con la vite.

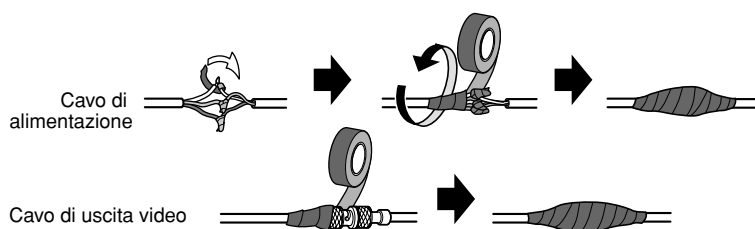
**Importante:**

- Assicurarsi che il cavo di sicurezza sia fissato saldamente. Momento di torsione dell'avvitamento consigliato: 0,59 N·m

**Importante:**

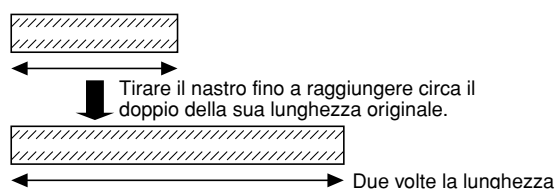
<Trattamento di impermeabilizzazione>

- Per installare questo prodotto all'esterno, assicurarsi di impermeabilizzare i cavi. Il corpo della telecamera è impermeabile, tuttavia la staffa di montaggio e l'adattatore non sono impermeabili.
- Per installare questo prodotto all'esterno, utilizzare gomma di silicio impermeabile all'acqua o materiali simili per praticare il trattamento di impermeabilizzazione alla staffa di montaggio, all'adattatore, al foro di accesso dei cavi, ai fori delle viti ed alle viti.
- Per installare questo prodotto su una parete, rivolgere la fessura di drenaggio della staffa di montaggio della telecamera verso il basso. Non bloccare la fessura di drenaggio. Non impermeabilizzare la fessura di drenaggio.
- Assicurarsi di utilizzare il nastro impermeabilizzante fornito sulle parti di giunzione del cavo di alimentazione e del cavo di uscita video per praticare il trattamento di impermeabilizzazione.



<Come avvolgere il nastro impermeabilizzante fornito>

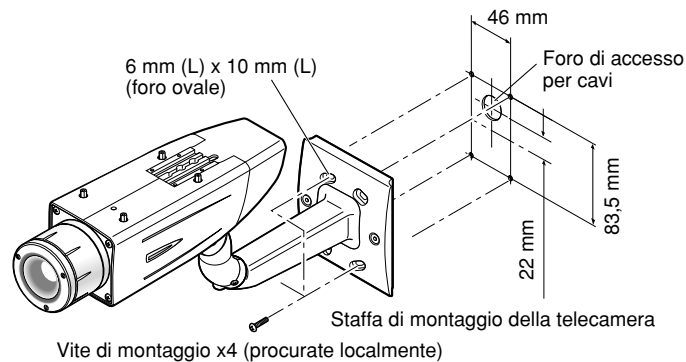
- Tirare il nastro fino a raggiungere circa il doppio della sua lunghezza originale (vedere l'illustrazione a destra) ed avvolgerlo attorno ai cavi. Un allungamento insufficiente del nastro causa un'impermeabilizzazione insufficiente.
- Avvolgere il cavo con il nastro facendo in modo che sia in parte sovrapposto.



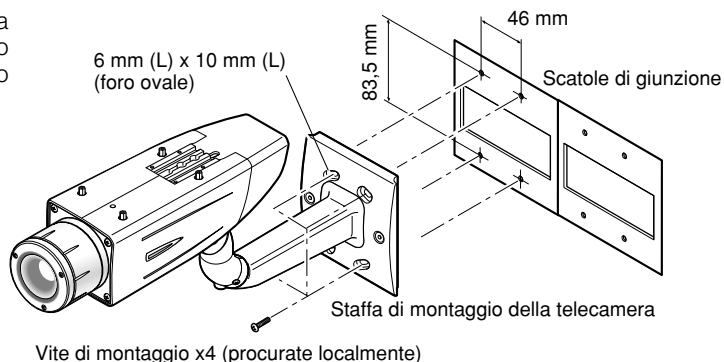
## 2 Fissare la staffa di montaggio della telecamera

### • Quando la telecamera viene installata direttamente su una parete

Utilizzare 4 viti (procurate localmente) per fissare la staffa di montaggio della telecamera sulla parete o su una scatola di giunzione (procurata localmente).

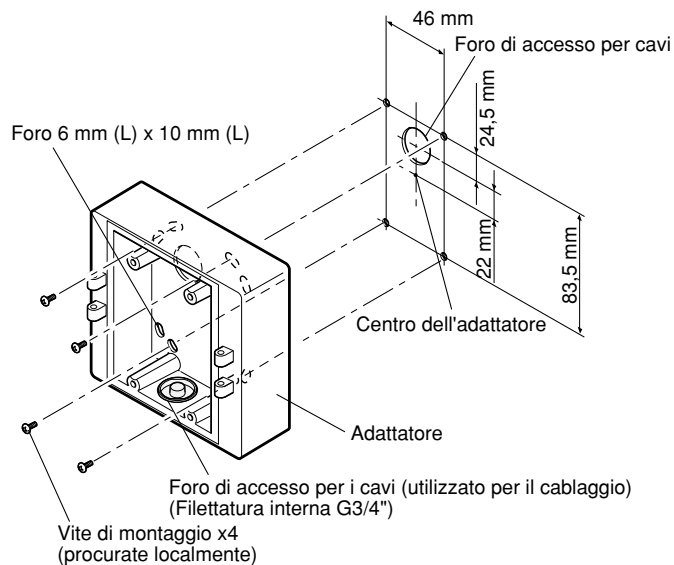


Se viene utilizzata una scatola di giunzione, si consiglia di posizionare le scatole affiancate come indicato nell'illustrazione a destra. (per semplificare il passaggio dei cavi)

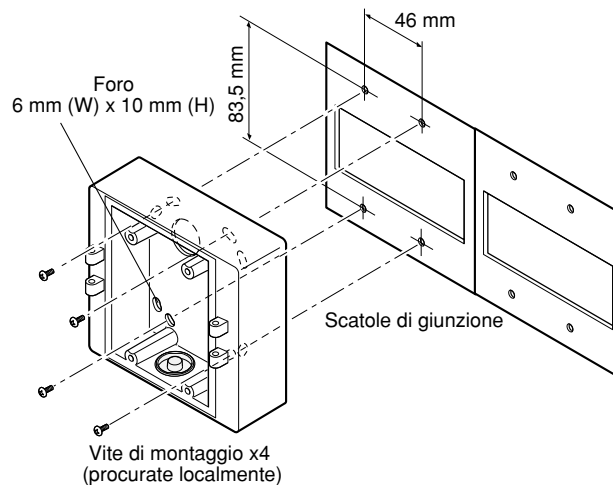


### • Quando la telecamera viene installata su una parete utilizzando l'adattatore

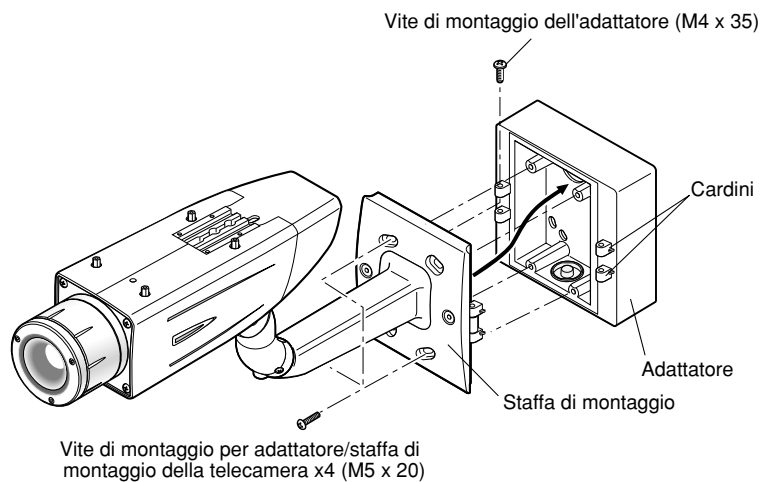
1. Utilizzare 4 viti (procurate localmente) per fissare l'adattatore sulla parete o su una scatola di giunzione (procurata localmente).



- Se viene utilizzata una scatola di giunzione, si consiglia di posizionare le scatole affiancate come indicato nell'illustrazione a destra. (per semplificare il passaggio dei cavi)

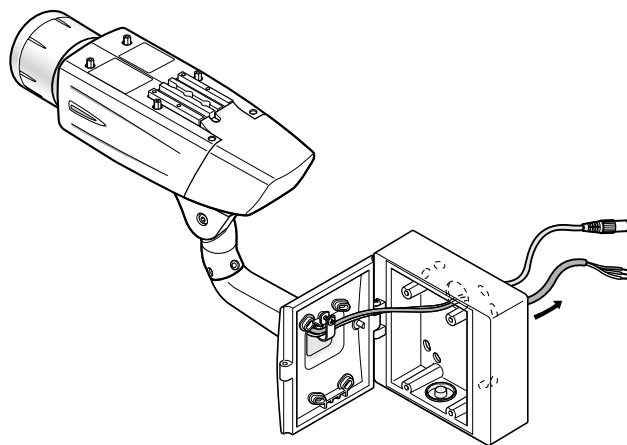


2. Fissare la staffa di montaggio della telecamera sui cardini di sinistra o di destra dell'adattatore.

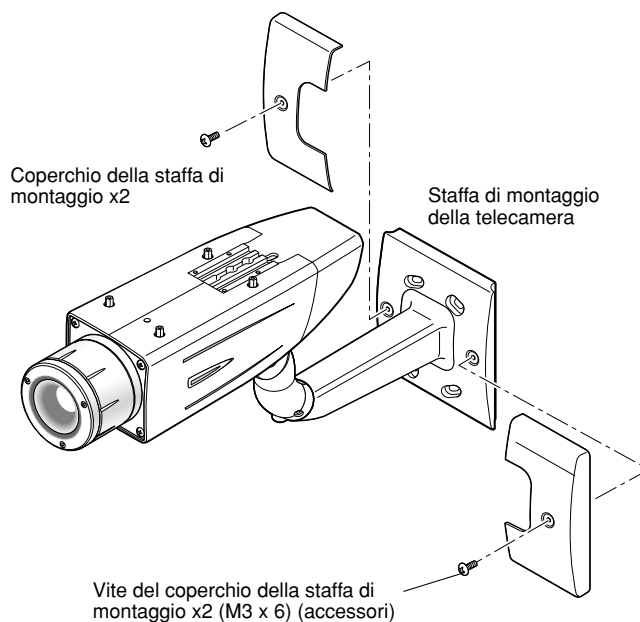


**Nota:**

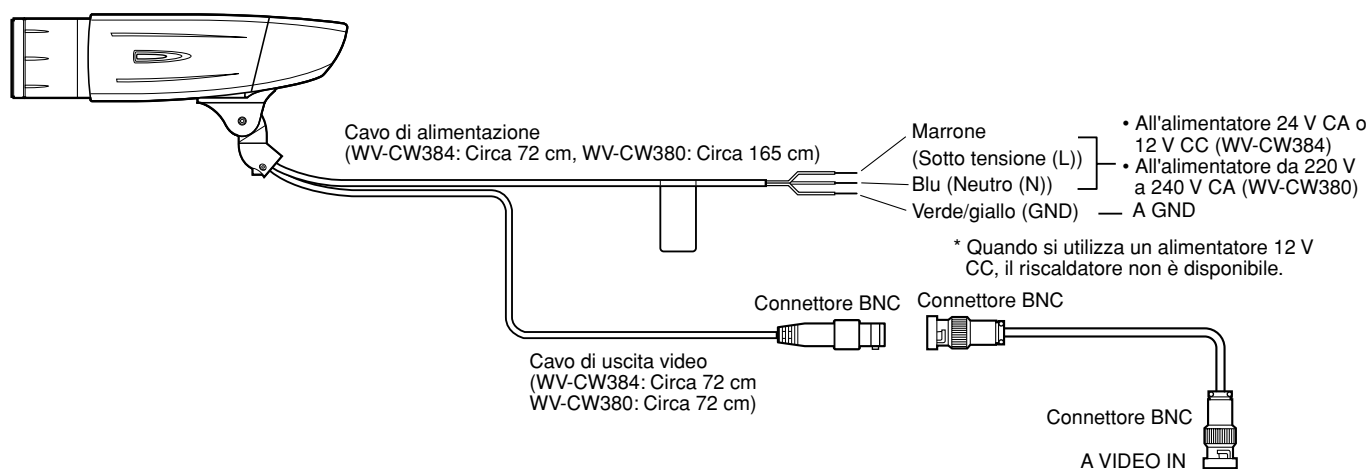
- Si deve decidere tra i cardini di destra o di sinistra dell'adattatore in modo da prevenire che il movimento della staffa di montaggio della telecamera sia impedito da ostacoli quali una parete quando la staffa di montaggio della telecamera è fissata sui cardini dell'adattatore.



**3** Fissare i coperchi della staffa di montaggio sulla staffa di montaggio della telecamera con le 2 viti del coperchio della staffa di montaggio (accessori).



## 4 Effettuare un collegamento



### Collegamento dell'uscita video

Il connettore di uscita video viene collegato al monitor o ad un altro dispositivo di sistema con un cavo coassiale (procurato localmente).

La lunghezza massima prolungabile è indicata nella tabella.

Tipo di cavo coassiale		RG-59/U (3C-2V)	RG-6/U (5C-2V)	RG-11/U (7C-2V)	RG-15/U (10C-2V)
Lunghezza massima raccomandata del cavo	m	250	500	600	800

### Collegamento dell'alimentazione

#### Precauzione:

- I seguenti collegamenti dovrebbero essere eseguiti da personale di assistenza qualificato o installatori di sistema in conformità con il Codice Elettrico Nazionale (NEC) 725-51.

#### • Colori e funzioni dei fili

##### Cavo di alimentazione della telecamera

<WV-CW384>

Colore del filo	24 V CA	12 V CC
Marrone	24 V CA (L)	Positivo
Blu	24 V CA (N)	Negativo
Verde/giallo	A GND	A GND

<WV-CW380>

Colore del filo	
Marrone	Da 220 V a 240 V CA (L)
Blu	Da 220 V a 240 V CA (N)
Verde/giallo	A GND

#### Precauzioni:

- Accertarsi di collegare il cavo di massa (GND) della telecamera ed il terminale di massa dell'alimentatore quando si utilizza un alimentatore a 24 V CA (WV-CW384) o 220 V - 240 V CA (WV-CW380).
- La contrazione del sigillo di ingresso del cavo è una procedura che si può eseguire una sola volta. Non eseguire la contrazione del sigillo di ingresso del cavo finché non ci si è assicurati che l'unità è funzionante.

- COLLEGARE QUESTA APPARECCHIATURA ESCLUSIVAMENTE AD UN ALIMENTATORE CLASSE 2 A 24 V CA o 12 V CC.
- Per prevenire il rischio di incendio o di scosse elettriche, dovrebbe essere utilizzato il cavo omologato UL Style 1007 VW-1 per il cavo per i terminali di ingresso.
- Non utilizzare un trasformatore maggiore di 10 VA.

### Lunghezza del cavo e diametro dei fili

#### <WV-CW384> 24 V CA

La lunghezza del cavo e la dimensione del filo di rame raccomandati sono indicati nella tabella come riferimento. La tensione fornita alla telecamera deve essere tra 19,5 V CA e 28 V CA.

Diametro dei fili raccomandato per la linea 24 V CA.

Misura del diametro del filo di rame (AWG)	#24 (0,22 mm <sup>2</sup> )	#22 (0,33 mm <sup>2</sup> )	#20 (0,52 mm <sup>2</sup> )	#18 (0,83 mm <sup>2</sup> )	
Lunghezza del cavo (Circa)	m	20	30	45	75

#### 12 V CC

La resistenza e la dimensione del filo di rame raccomandati sono indicati nella tabella come riferimento. La tensione fornita alla telecamera deve essere tra 10,5 V CC e 16 V CC.

Resistenza del filo di rame [a 20 °C]

Misura del diametro del filo di rame (AWG)	#24 (0,22 mm <sup>2</sup> )	#22 (0,33 mm <sup>2</sup> )	#20 (0,52 mm <sup>2</sup> )	#18 (0,83 mm <sup>2</sup> )	
Resistenza (Ω/m)	m	0,078	0,050	0,03	0,018

"L", "R", "V<sub>A</sub>" e "I" devono soddisfare la seguente disequazione.

$$10,5 \text{ V CC} \leq V_A - 2(R \times I \times L) \leq 16 \text{ V CC}$$

L: Lunghezza del cavo (m)

R: Resistenza del filo di rame (Ω/m)

V<sub>A</sub>: Tensione di uscita CC dell'alimentatore

I: Consumo di corrente CC (A). Vedere i dati tecnici.

---

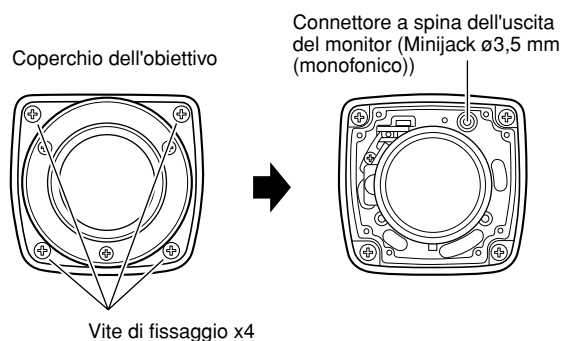
**Importante:**

- Quando si utilizza un alimentatore 12 V CC, il riscaldatore non è disponibile.
- 

## 5 Assicurarsi di osservare un monitor per la regolazione quando si regola l'angolo della telecamera.

Fornire alimentazione a questa unità, collegare il monitor per la regolazione (ad es. un piccolo LCD) al connettore a spina dell'uscita del monitor e regolare l'angolo della telecamera (per sicurezza spegnere l'unità dopo la regolazione dell'angolo visuale).

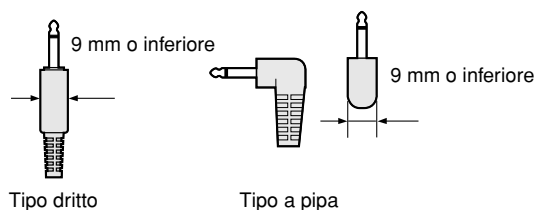
1. Allentare le 4 viti di fissaggio del coperchio dell'obiettivo per rimuovere il coperchio dell'obiettivo.
2. Collegare il monitor per la regolazione al connettore a spina dell'uscita del monitor.



---

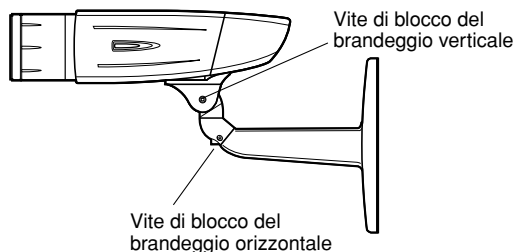
**Nota:**

- Devono essere osservate le dimensioni della spina nell'illustrazione seguente per il monitor per la regolazione.



3. Ripetere i passaggi (1) e (2) per regolare l'angolo della telecamera.

- (1) Allentare la vite di blocco del brandeggio orizzontale e ruotare orizzontalmente la testa della telecamera per regolare il brandeggio orizzontale.
- (2) Allentare la vite di blocco del brandeggio verticale e ruotare verticalmente la testa della telecamera per regolare il brandeggio verticale.
- (3) Stringere la vite di blocco del brandeggio orizzontale e la vite di blocco del brandeggio verticale dopo la regolazione dell'angolo della telecamera.



---

**Importante:**

- Dopo la regolazione dell'angolo della telecamera, la vite di blocco del brandeggio orizzontale e la vite di blocco del brandeggio verticale devono essere strette saldamente. Momento di torsione dell'avvitamento consigliato: 2,45 N·m
- 

---

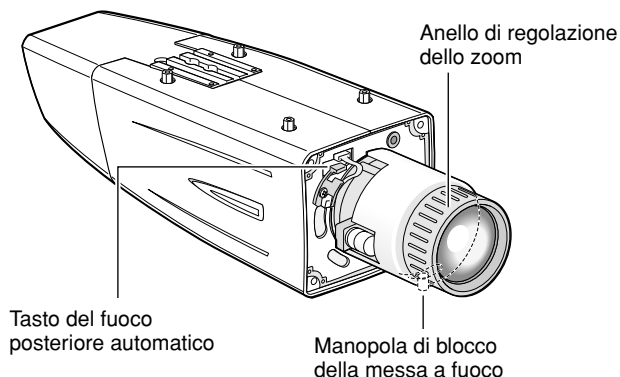
**Note:**

- Utilizzare una chiave esagonale A/F (interpiano) da 4 mm (procuratasi localmente) per allentare o stringere la vite di blocco del brandeggio orizzontale e la vite di blocco del brandeggio verticale.
  - Un giro circa di allentamento della vite di blocco del brandeggio orizzontale e della vite di blocco del brandeggio verticale permette la regolazione dell'angolo della telecamera. Non allentare le viti più del necessario.
  - Si deve sostenere il corpo della telecamera quando si allenta la vite di blocco del brandeggio orizzontale o la vite di blocco del brandeggio verticale.
  - La regolazione della messa a fuoco (☞ pagina 160) deve essere eseguita quando vengono eseguite le regolazioni del brandeggio orizzontale e verticale.
-

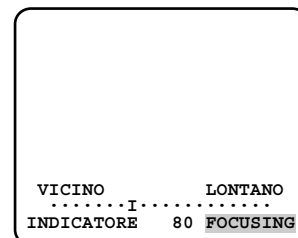
## 6 Regolare la messa a fuoco

La regolazione della messa a fuoco deve essere eseguita quando viene eseguita la regolazione dell'angolo della telecamera (☞ pagina 159).

1. Ripetere i passaggi (1) e (2) per regolare l'angolo visuale e la messa a fuoco.
  - (1) Ruotare l'anello di regolazione dello zoom per regolare l'angolo visuale tra TELE e WIDE.
  - (2) Allentare la manopola di blocco della messa a fuoco, eseguire una regolazione sommaria della messa a fuoco e quindi stringere la manopola di blocco della messa a fuoco.



2. Premere il tasto del fuoco posteriore automatico dopo aver regolato l'angolo visuale mentre si osserva il monitor per la regolazione.  
→ L'indicatore di posizione della messa a fuoco viene visualizzato nella parte inferiore dello schermo ed il fuoco posteriore viene regolato automaticamente.



3. Per eseguire una regolazione precisa del fuoco posteriore dopo la regolazione automatica del fuoco posteriore, utilizzare i tasti delle operazioni attraverso il menu di configurazione. (☞ pagina 175)

### Note:

- Se non si esegue nessuna operazione per 10 o più secondi, l'indicatore di posizione della messa a fuoco viene ripristinato automaticamente.
- Per cambiare l'angolo visuale muovendo l'anello di regolazione dello zoom, muovere anche la manopola di blocco della messa a fuoco per regolare la messa a fuoco.

### <Come regolare la messa a fuoco>

- Quando si utilizza un obiettivo a diaframma automatico per filmare un soggetto fotografico, la messa a fuoco originariamente regolata può essere leggermente fuori regolazione a seconda dello stato del diaframma risultante dalla profondità focale dell'obiettivo. In tal caso, aprire l'apertura scurendo il soggetto quanto più possibile allo stesso modo di quando si scatta una fotografia e quindi regolare la messa a fuoco. Si può prevenire la sfocatura. L'utilizzo di "ABF" di "IMPOSTA-BACK-FOCUS" nel menu di configurazione (☞ pagina 175) consente agli utenti di regolare in modo ottimale la messa a fuoco all'interno del range della capacità di seguire automaticamente la variazione nell'illuminazione. (Nota: Il punto focale regolato non è necessariamente uguale al punto focale ottimale per l'illuminazione.)
- Il livello di sfocatura nella gamma di luce a infrarosso vicino può essere superiore a quello nella gamma di luce visibile. L'impostazione "COLORI ←→ B/W" di "IMPOSTA-BACK-FOCUS" su "AUTO" o "PRESET" nel menu di configurazione consente agli utenti di regolare la messa a fuoco sia nella gamma di luce a infrarosso vicino sia nella gamma di luce visibile. (La variazione nell'illuminazione non viene seguita dopo la regolazione della messa a fuoco.)

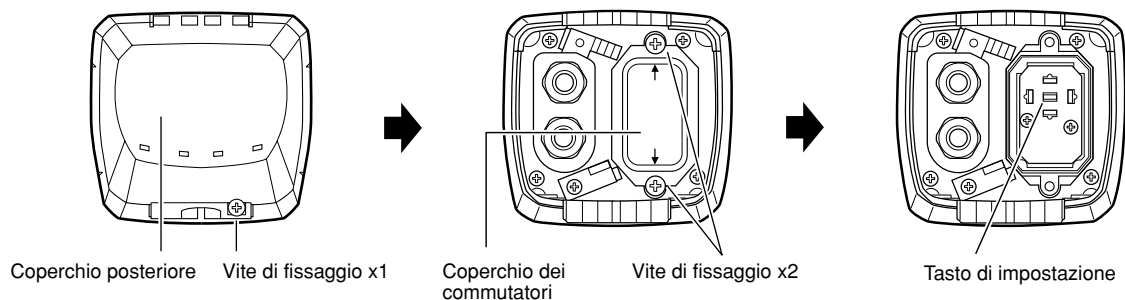
### <Come utilizzare obiettivi a focale variabile>

- Ripristinare la posizione del fuoco posteriore alla posizione predefinita prima della regolazione del fuoco posteriore. (Tenere premuti simultaneamente i tasti Destra e Sinistra tra i tasti delle operazioni per 2 o più secondi, oppure spostare il cursore su "MANUALE-ADJUST" di "IMPOSTA-BACK-FOCUS" nel menu di configurazione e tenere premuti simultaneamente i tasti Destra e Sinistra per 2 o più secondi dopo aver premuto il tasto di impostazione.)



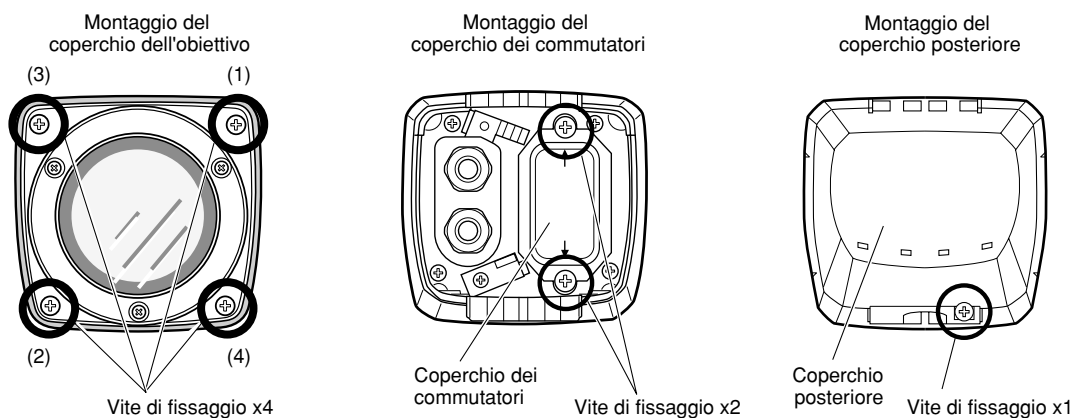
### <Regolazione precisa del fuoco posteriore attraverso il menu di configurazione>

1. Allentare la vite di fissaggio del coperchio posteriore per rimuovere il coperchio posteriore.
2. Allentare le 2 viti di fissaggio del coperchio dei commutatori per rimuovere il coperchio dei commutatori.
3. Tenere premuto il tasto di impostazione per 2 o più secondi per richiamare la schermata principale del menu di configurazione. Quindi regolare il fuoco posteriore. Per ulteriori informazioni, far riferimento a pagina 175.



## 7 Montare il coperchio

1. Fissare l'essiccante (accessorio) alla parte inferiore interna del coperchio dell'obiettivo.
2. Montare il coperchio dell'obiettivo, il coperchio dei commutatori ed il coperchio posteriore.

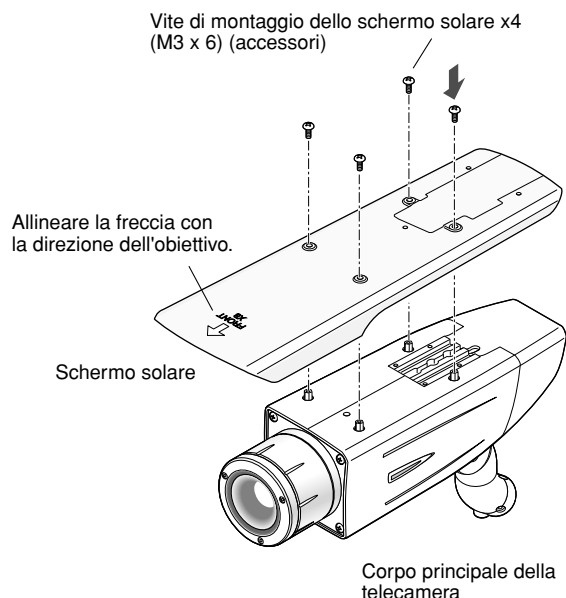


### Importante:

- Il momento di torsione dell'avvitamento descritto di seguito deve essere rispettato per le 2 viti di fissaggio del coperchio dei commutatori e per le 4 viti di fissaggio del coperchio dell'obiettivo.  
Momento di torsione dell'avvitamento consigliato: 0,59 N·m
- Assicurarsi di fissare l'essiccante (accessorio). Far riferimento alle istruzioni per l'essiccante per come fissarlo.
- La sequenza di avvitamento delle 4 viti di fissaggio del coperchio dell'obiettivo deve essere osservata e ripetuta due volte come indicato nell'illustrazione precedente.  
((1) → (2) → (3) → (4), due volte)

## 8 Montare lo schermo solare

Montare lo schermo solare sulla telecamera con le 4 viti di montaggio dello schermo solare (accessori).

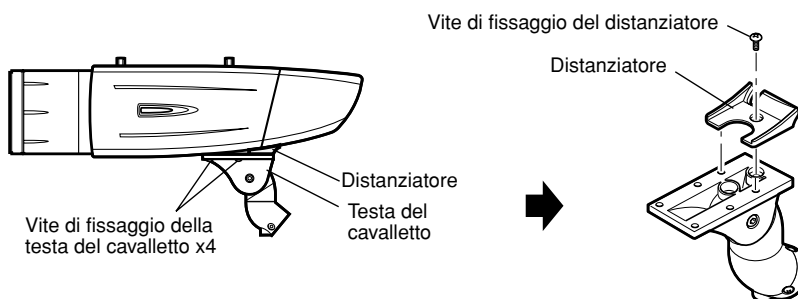


### Note:

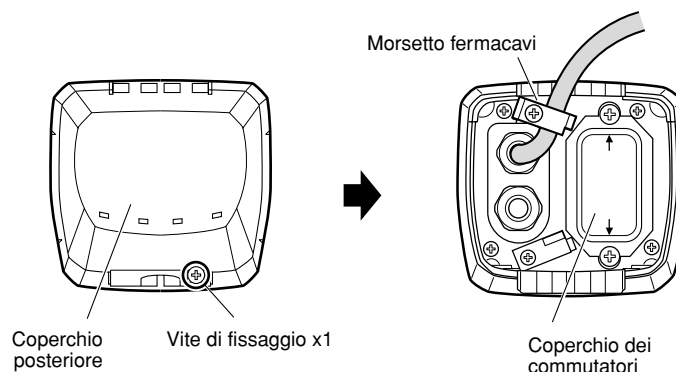
- Assicurarsi di utilizzare le 4 viti di montaggio dello schermo solare (accessori). Momento di torsione dell'avvitamento consigliato: 0,59 N·m
- Il lato "FRONT" dello schermo solare deve essere sulla parte dell'obiettivo.

## 9 Quando si sposta la superficie di montaggio sulla parte superiore del corpo della telecamera

1. Rimuovere le 4 viti di fissaggio della testa del cavalletto dal corpo della telecamera e rimuovere la testa del cavalletto.
2. Allentare la vite di fissaggio del distanziatore della testa del cavalletto e rimuovere il distanziatore.



3. Allentare la vite di fissaggio e rimuovere il coperchio posteriore.
4. Posizionare il morsetto fermacavi nella parte superiore per far passare il cavo di uscita video ed il cavo di alimentazione verso l'alto. Quindi montare il coperchio posteriore.



5. Montare la testa del cavalletto sulla parte superiore del corpo della telecamera con le 4 viti di montaggio della testa del cavalletto che sono state rimosse nel passaggio 1.

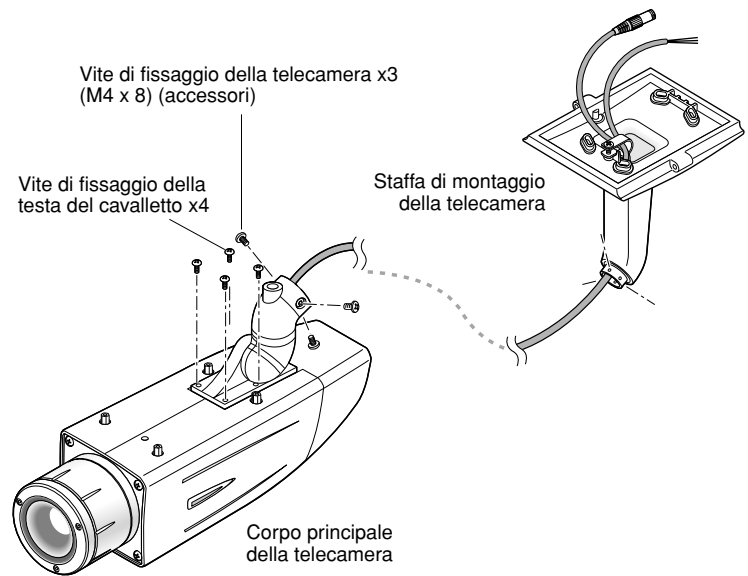
### Importante:

- Si deve prestare attenzione per prevenire che il cavo di uscita video ed il cavo di alimentazione vengano pizzicati tra il corpo della telecamera e la testa del cavalletto.

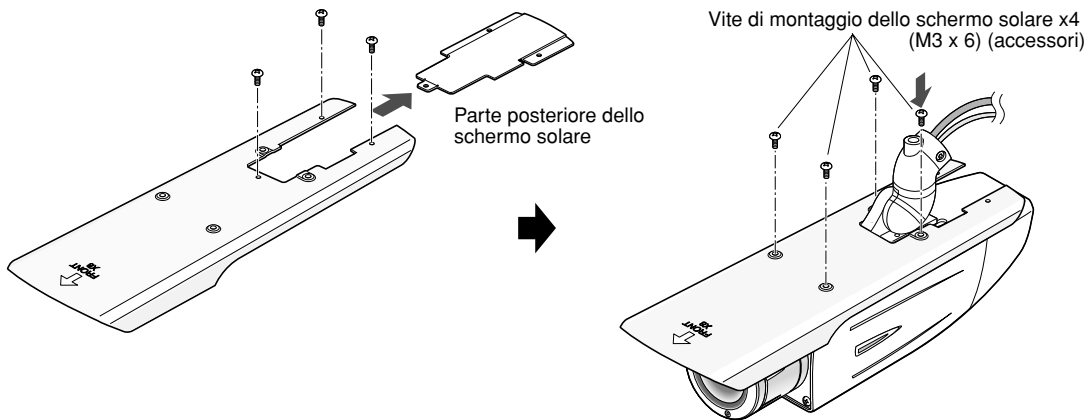
6. Fissare la telecamera sulla staffa di montaggio con le 3 viti di fissaggio della telecamera (accessori).  
Far passare il cavo di uscita video, il cavo di alimentazione ed il cavo di sicurezza attraverso la staffa di montaggio della telecamera e fissare il cavo di sicurezza alla staffa di montaggio della telecamera.

**Importante:**

- Assicurarsi di utilizzare le viti che sono state rimosse dalla testa del cavalletto.  
Momento di torsione dell'avvitamento consigliato: 0,59 N·m

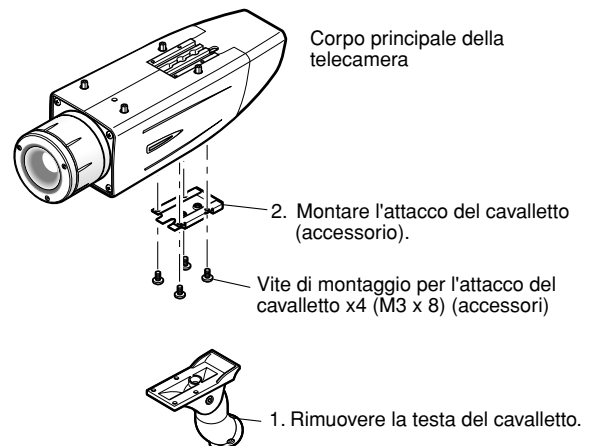


7. Montare lo schermo solare sul corpo della telecamera con le 4 viti di montaggio dello schermo solare (accessori) dopo aver rimosso la parte posteriore dello schermo solare.



**10 Quando si utilizza l'attacco del cavalletto (accessorio) (quando si utilizza una staffa di montaggio della telecamera differente)**

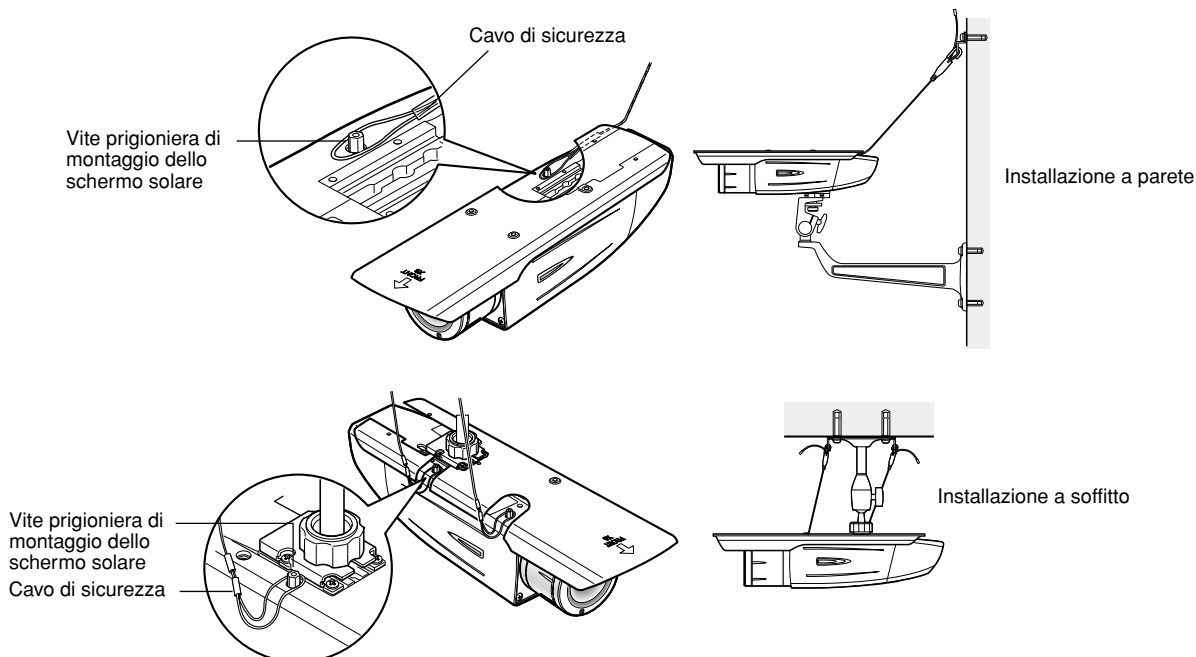
1. Rimuovere le 4 viti di fissaggio della testa del cavalletto dal corpo della telecamera e rimuovere la testa del cavalletto. Smontare la testa del cavalletto e tirare fuori il cavo di uscita video ed il cavo di alimentazione.
2. Montare l'attacco del cavalletto (accessorio) con le 4 viti di montaggio per l'attacco del cavalletto (accessori).



3. Utilizzare un cavo di sicurezza (procurato localmente) per prendere misure contro una caduta della telecamera a seconda della posizione di installazione.

	Staffa di montaggio della telecamera	Cavo di sicurezza
Per l'installazione a parete	WV-831	WV-Q140
Per l'installazione a soffitto	WV-7010A	WV-Q141

4. Agganciare l'estremità (parte ad anello) del cavo di sicurezza sulla vite prigioniera di montaggio dello schermo solare ed avvitare lo schermo solare per fissare il cavo di sicurezza.



5. Far riferimento alle istruzioni del cavo di sicurezza per i passaggi seguenti.

**Importante:**

- Assicurarsi di utilizzare le 4 viti di montaggio per l'attacco del cavalletto (accessori).  
L'utilizzo di viti di lunghezza non appropriata può danneggiare l'unità.
- Le 4 viti rimosse dalla testa del cavalletto non possono essere utilizzate.
- Le staffe di montaggio della telecamera, WV-831 e WV-7010A, ed i cavi di sicurezza, WV-Q140 e WV-Q141, sono progettati per l'utilizzo all'interno. Per l'installazione all'esterno, utilizzare la staffa di montaggio della telecamera inclusa tra gli accessori.

# Riguardo ai menu di configurazione

Prima dell'utilizzo, è necessario configurare questa telecamera. Sul menu di configurazione, si possono controllare le impostazioni attuali ed eseguire impostazioni per soddisfare le proprie esigenze.

Quanto segue è un esempio della procedura di configurazione quando "LANGUAGE" è impostato su "ITALIANO".

## Elementi di impostazione della pagina di configurazione della telecamera

Elemento di configurazione	Descrizione	Pagine di riferimento
<b>CAMERA</b>	Configurare le impostazioni riguardanti le operazioni della telecamera.	
ID CAMERA	Il titolo della telecamera può essere modificato e visualizzato sullo schermo.	167
ALC	Configurare il metodo di controllo della luce.	168
OTTURATORE	Selezionare la velocità dell'otturatore.	169
AGC	Selezionare il metodo di regolazione del guadagno.	170
SENS UP	Regolare la sensibilità.	170
SINC	Configurare il metodo di sincronizzazione.	170
BIL.BIANCO	Selezionare il metodo di regolazione del bilanciamento del bianco.	171
MOTION DET	Configurare le impostazioni per la funzione di rivelazione di movimento.	171
DNR	Configurare le impostazioni per la funzione DNR (Riduzione del rumore digitale).	173
RISOLUZIONE	Selezionare una modalità di risoluzione orizzontale.	173
MODALITA' BN	Configurare le impostazioni riguardanti la modalità bianco e nero quali le impostazioni per il passaggio tra la modalità colore e la modalità bianco e nero.	173
ZONA PRIVACY	È possibile mascherare una zona designata come zona di privacy.	174
EL-ZOOM	Regolare lo zoom elettronico.	174
STABILIZZAT.	Selezionare "ON" o "OFF" per determinare se utilizzare o meno lo stabilizzatore dell'immagine per prevenire immagini mosse.	175
LED	Esecuzione delle impostazioni per il LED.	175
<b>BACK-FOCUS</b>	Selezionare il metodo di regolazione della lunghezza della flangia posteriore (lunghezza focale posteriore) e regolare precisamente la lunghezza della flangia posteriore (lunghezza focale posteriore).	175
<b>SPECIALE</b>		176
CHROMA GAIN	Regolare il livello cromatico (densità del colore).	176
AP GAIN	Regolare il livello di apertura.	176
PEDESTAL	Regolare il livello di spegnimento (luminosità).	176
PIX OFF	Correggere i difetti dell'immagine come graffi.	176
RESET CAMERA	Ripristinare le impostazioni del menu di configurazione alle regolazioni predefinite.	177
SER.NO.	Controllare il numero di serie di questa telecamera.	177
<b>LANGUAGE</b>	Selezionare la lingua per la visualizzazione del menu di configurazione.	167

## ■ Operazioni di base

Quanto segue sono le descrizioni di come configurare ciascun elemento di configurazione utilizzando i tasti delle operazioni (far riferimento a pag. 152) sulla telecamera. La configurazione è disponibile anche utilizzando una tastiera di controllo del sistema.

---

### Nota:

- Le illustrazioni sono esempi che vengono visualizzati su un monitor video.
- 

1. Tenere premuto il tasto [SET] per circa 2 secondi.  
→ Verrà visualizzata la pagina principale.
2. Spostare il cursore su "FINE" premendo il tasto [UP] o [DOWN].

```
MODELLO WV-CW380 SERIES
CAMERA↵
BACK-FOCUS↵
SPECIALE↵
LANGUAGE↵

FINE CONFIG.DISABIL.
```

3. Premere il tasto [SET] dopo aver spostato il cursore su "CONFIG." premendo il tasto [RIGHT].  
→ L'indicazione "DISABIL." passerà a "ABILITATATO" e sarà possibile modificare le impostazioni.

```
MODELLO WV-CW380 SERIES
CAMERA↵
BACK-FOCUS↵
SPECIALE↵
LANGUAGE↵

FINE CONFIG.ABILITATATO
```

4. Spostare il cursore sull'elemento di configurazione desiderato e premere il tasto [SET].  
→ Verrà visualizzata la pagina di configurazione dell'elemento di configurazione selezionato.
5. Configurare le impostazioni per ciascun elemento.

**Selezione di un elemento di configurazione:** Spostare il cursore premendo il tasto [UP] o [DOWN].

**Modifica del parametro:** Premere il tasto [LEFT] o [RIGHT].

**Visualizzazione della pagina di impostazione dettagliata dell'elemento di configurazione:** Premere il tasto [SET] quando è selezionato un elemento di configurazione con il segno [↵].

**Ritorno alla pagina precedente:** Spostare il cursore su "RIT" e premere il tasto [SET].

**Ritorno alla pagina principale:** Spostare il cursore su "PRINC" e premere il tasto [SET].

```
**CAMERA CONFIG.** 1/2
ID CAMERA    OFF↵
ALC          ALC↵
OTTURATORE   OFF
AGC          ON (ALTO)
SENS UP      OFF
SINC         INT
BIL.BIANCO   ATW1↵
MOTION DET   MOD01↵
DNR          ALTO
RISOLUZIONE  ALTO
MODALITA' BN↵
```

```
**CAMERA CONFIG.** 2/2
ZONA PRIVACY OFF↵
EL-ZOOM      OFF
STABILIZZAT. OFF
LED          ON

RIT  PRINC  FINE
```

6. Per uscire dal menu di configurazione e visualizzare le immagini dalla telecamera, spostare il cursore su "FINE" e premere il tasto [SET].

---

### Note:

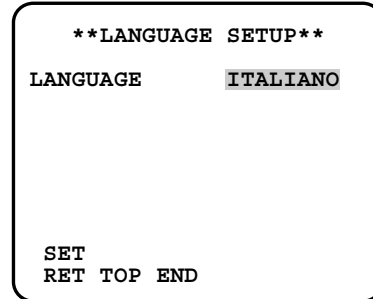
- Per prevenire operazioni errate, quando viene visualizzata la pagina principale dalla telecamera sarà sempre visualizzata l'indicazione "DISABIL.". Per utilizzare il menu di configurazione, innanzitutto passare dall'indicazione "DISABIL." all'indicazione "ABILITATATO".
  - La posizione del cursore verrà visualizzata evidenziata.
-

# Procedure di impostazione

Innanzitutto, selezionare una lingua per la visualizzazione dei menu e la visualizzazione dell'ID della telecamera.

## Configurazione della lingua (LANGUAGE SETUP)

1. Selezionare "LANGUAGE" sul menu principale e premere il tasto [SET].  
→ Si apre il menu "LANGUAGE SETUP".
2. Selezionare una lingua. La regolazione predefinita è "ITALIANO".  
**Lingue disponibili:** ENGLISH, FRANÇAIS, ESPAÑOL, DEUTSCH, ITALIANO, РУССКИЙ, CHINESE o JAPANESE
3. Selezionare "SET" sul menu e premere il tasto [SET].



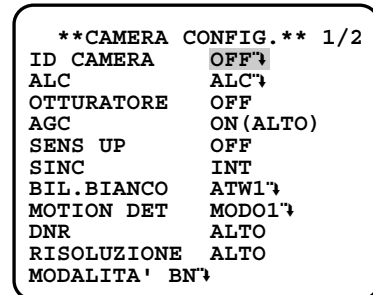
## 1. Regolazione dell'identificazione della telecamera (ID CAMERA)

Assegnare un nome alla telecamera utilizzando un massimo di 16 caratteri per visualizzarlo sovrapposto all'immagine della telecamera nella posizione selezionata.

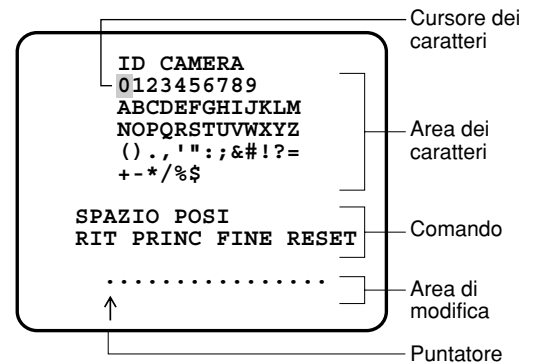
**Nota:**

- Se si cambia la selezione della lingua dopo aver assegnato l'ID della telecamera, verrà cancellato.

1. Sul menu "CAMERA CONFIG.", selezionare "ON" o "OFF" per "ID CAMERA" e premere il tasto [SET].  
**ON:** Viene visualizzato l'ID della telecamera impostato.  
**OFF:** Non viene visualizzato l'ID.  
→ Si apre il menu "ID CAMERA".
2. Selezionare un carattere dall'area dei caratteri e premere il tasto [SET].  
→ I caratteri selezionati vengono visualizzati nell'area di modifica.

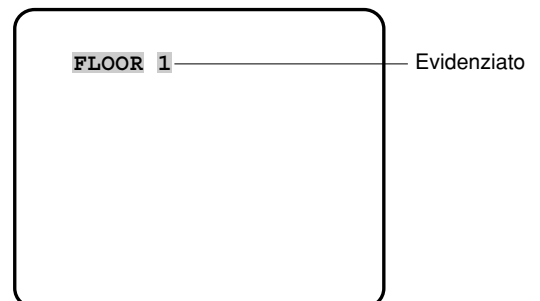


3. Ripetere queste procedure finché non vengono immessi tutti i caratteri.
  - Per immettere uno spazio vuoto, selezionare "SPAZIO" e premere il tasto [SET].
  - Per sostituire un carattere specifico nell'area di modifica:
    1. Spostare il cursore sull'area di modifica e quindi spostare il puntatore sul carattere da sostituire premendo i tasti [LEFT] e [RIGHT].
    2. Spostare il cursore sul carattere desiderato nell'area dei caratteri e premere il tasto [SET].
  - Per cancellare tutti i caratteri dell'ID della telecamera, selezionare "RESET" e premere il tasto [SET].



**Nota:**

- Per la lingua cinese, si possono immettere fino a 8 caratteri.



4. Per specificare la posizione di visualizzazione dell'ID:
  1. Selezionare "POSI" e premere il tasto [SET].  
→ L'ID della telecamera immesso verrà evidenziato sullo schermo.
  2. Spostarlo nella posizione appropriata e premere il tasto [SET].  
→ La posizione viene determinata e lo schermo tornerà al menu "ID CAMERA".

**Nota:**

- Tenere premuto uno dei tasti [LEFT], [RIGHT], [UP] o [DOWN] per un secondo o più per spostare l'ID della telecamera più velocemente in base alla necessità.

## 2. Impostazione della modalità di controllo della luce (ALC)

Selezionare una modalità di controllo della luce a seconda del tipo di obiettivo montato.

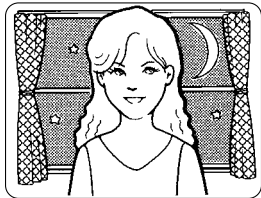
**ALC**↕: È utilizzabile per gli obiettivi a diaframma automatico. "SUPER-D3" è disponibile con questa selezione.

### 2-1. Modalità ALC con SUPER-D3 attivato (ON)

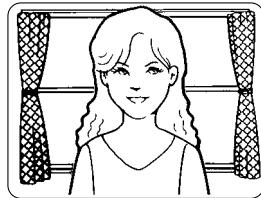
#### Funzione Super Dynamic 3 (SUPER-D3)

Nella modalità SUPER-D3, viene data maggior ponderazione fotometrica al centro dello schermo che ai margini dello schermo dove molto probabilmente sarà situato un controluce luminoso.

SUPER-D3 ON

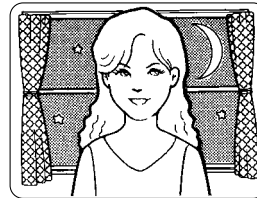


Notturmo

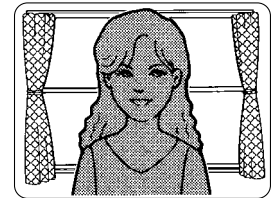


Diurno

SUPER-D3 OFF



Notturmo



Diurno

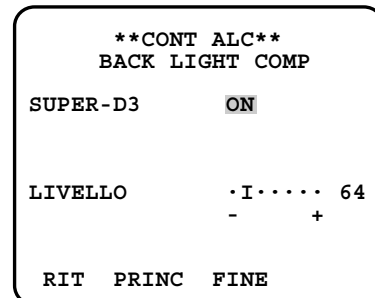
**SUPER-D3 ON:** Attiva SUPER-D3 per compensare automaticamente il controluce.

**SUPER-D3 OFF:** Consente la regolazione manuale per compensare il controluce.

**Note:**

- Quando viene impostato su "ON", i parametri disponibili per "OTTURATORE" e "SENS UP" saranno limitati come indicato sulla pagina seguente.
- Impostare "SUPER-D3" su "OFF" quando si osservano rumore in una porzione luminosa, sfarfallii o deterioramento del colore.

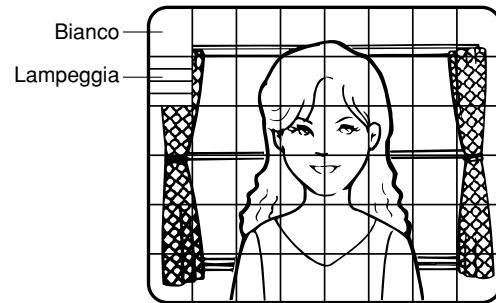
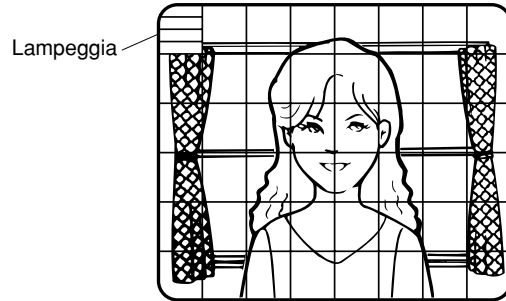
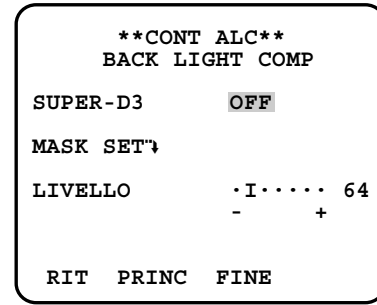
1. Spostare il cursore su "ALC" e premere il tasto [SET].  
→ Si apre il menu "CONT ALC".
2. Selezionare "ON" per "SUPER-D".
3. Regolare il livello di uscita video (LIVELLO) spostando il cursore "I". Può essere meglio regolare "LIVELLO" leggermente più alto.





## 2-2. Modalità ALC con SUPER-D3 disattivato (OFF)

1. Spostare il cursore su "ALC" sul menu "CAMERA CONFIG." e selezionare "OFF" per "SUPER-D3" sul menu "CONT ALC".  
→ "MASK SET"↓ appare sul menu "CONT ALC".
2. Selezionare "MASK SET" e premere il tasto [SET].  
→ Le 48 aree di mascheratura appaiono sovrapposte all'immagine della telecamera con il cursore lampeggiante nell'angolo sinistro superiore.
3. Spostare il cursore su un'area in cui il controluce è luminoso e premere il tasto [SET] per mascherare l'area.  
→ L'area mascherata appare alternativamente bianca e lampeggiante quando il cursore è sull'area, oppure diventa bianca quando il cursore è su altre aree.
4. Per cancellare la mascheratura, spostare il cursore su un'area mascherata e premere il tasto [SET].  
→ Quando si cancella la mascheratura dell'area, questa passa da bianca a normale.  
Per cancellare tutte le mascherature, premere i tasti [LEFT] e [RIGHT] simultaneamente per 2 o più secondi.
5. Ripetere i passaggi 3 e 4 in base alla necessità.



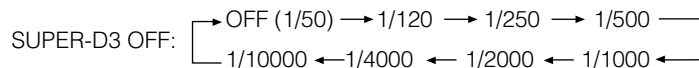
6. Premere il tasto [SET] per 2 o più secondi.  
→ Appare il menu "CONT ALC".
7. Regolare il livello di uscita video (LIVELLO) spostando il cursore "I".

### Nota:

- Se viene selezionato "ON" per "SUPER-D3", un'ombra (riga nera) può apparire al confine fra le porzioni luminose e quelle buie. Questo è un fenomeno naturale e non indica problemi.

## 3. Impostazione della velocità dell'otturatore (OTTURATORE)

Selezionare una velocità dell'otturatore appropriata quando viene selezionato "ALC" sul menu "CAMERA CONFIG". Selezionando una velocità maggiore verrà ridotta la sfocatura quando gli oggetti si muovono velocemente. La regolazione predefinita è "OFF".



### Note:

- Soltanto "OFF" è disponibile quando "SUPER-D3" è impostato su "ON".
- Quando viene selezionata una velocità maggiore per l'otturatore elettronico, l'immagine normalmente diventerà più scura e talvolta possono apparire strisce verticali di luce (strisce verticali causate da oggetti luminosi).

## 4. Regolazione del controllo del guadagno (AGC)

Selezionare una modalità di controllo automatico del guadagno. Questa regolazione aumenta il guadagno e rende più luminosa l'immagine in condizioni di scarsa illuminazione. La regolazione predefinita è "ON (ALTO)".

**Modalità disponibili:** ON (ALTO), ON (MEDIO), ON (BASSO), OFF

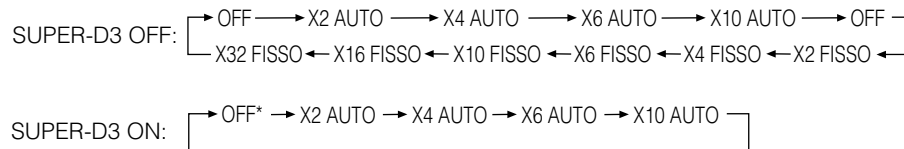
## 5. Miglioramento della sensibilità elettronico (SENS UP)

Selezionare un livello di miglioramento appropriato quando la telecamera è impostata sulla modalità ALC. Più è alta la velocità che si seleziona, più l'immagine sarà luminosa. La regolazione predefinita è "OFF".

**AUTO:** Imposta "AGC" su "ON" ed incrementa al livello adatto la sensibilità fino al livello di amplificazione selezionato, per esempio 10 volte quando è impostato su "X10 AUTO".

**FISSO:** Incremento fisso della sensibilità al livello selezionato.

**OFF:** Non viene incrementata la sensibilità.



\* Regolazione predefinita

### Note:

- Alcuni tipi di tastiere di controllo del sistema possono non controllare alcune delle funzioni di SENS UP. Se questo si verificasse, utilizzare i tasti delle operazioni sulla telecamera.
- Quando si seleziona "AUTO" per "SENS UP" e "ON" per "SUPER-D3", la funzione SENS UP ha la priorità in modo che la funzione SUPER-D3 non sia attivata automaticamente.
- Mentre è selezionata la funzione SENS UP, possono apparire rumore, macchie o un fenomeno biancastro nell'immagine quando viene aumentata la sensibilità della telecamera. Questo è un fenomeno normale.
- Soltanto quando sono selezionati "OFF", "X2 FISSO" o "X2 AUTO" per il miglioramento della sensibilità (SENS UP), è possibile eseguire la regolazione dell'ABF o selezionare "AUTO" per "COLORI ↔ BN" sul menu "IMPOSTA BACK-FOCUS". Quando è selezionato un livello di sensibilità diverso da "X2 FISSO" o "X2 AUTO", utilizzare "PRESET" e "FISSO" per "COLORI ↔ BN" sul menu "IMPOSTA BACK-FOCUS".

## 6. Regolazione della sincronizzazione (SINC)

1. Selezionare una modalità di sincronizzazione.

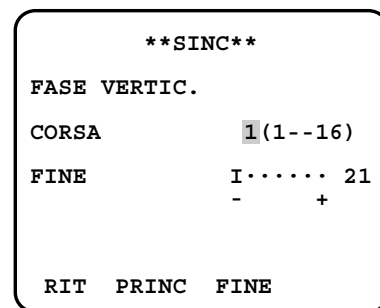
**VD2:** Controllo verticale multiplato, priorità più alta

**LL:** Line-Lock (sincronizzazione di rete), segue la fase dell'alimentazione CA fornita, seconda priorità

**INT:** Sincronizzazione interna, priorità più bassa

### Note:

- La selezione non è disponibile quando VD2 viene aggiunto alla telecamera. La selezione di "LL" è disponibile quando viene aggiunta la rispettiva sincronizzazione.
- Quando è selezionato "LL", è necessaria la regolazione della fase.



2. Regolazione della fase verticale Line-Lock (FASE VERTIC.)

- Selezionare "LL" e premere il tasto [SET].
- Preparare un oscilloscopio a doppia traccia e fornirgli l'uscita video della telecamera da regolare e quello della telecamera di riferimento.
- Regolare l'oscilloscopio sul tasso verticale ed ampliare la porzione di sincronizzazione verticale.
- Selezionare una fase di "CORSA" appropriata dai 16 passi (22,5 gradi ogni passo) che renda i due segnali video sull'oscilloscopio il più possibile vicini.

- Selezionare una fase di "FINE" appropriata in modo che i due segnali video sull'oscilloscopio si avvicinino il più possibile.

**Note:**

- Spostando il cursore "I" oltre l'estremità +/- si sposterà la gamma di "FINE".
- Premere simultaneamente i tasti [LEFT] e [RIGHT] per ripristinare "FASE VERTIC." alla regolazione predefinita (0 gradi).
- Tenere premuti i tasti [LEFT] e [RIGHT] per un secondo per spostare il cursore "I" più velocemente se necessario.
- Rumore transitorio di breve durata se contenuto nell'alimentazione principale CA può disturbare la sincronizzazione di LL.

## 7. Regolazione del bilanciamento del bianco (BIL.BIANCO)

Selezionare una modalità per "BIL.BIANCO" sul menu "CAMERA CONFIG.". La regolazione predefinita è "ATW1".

**ATW1:** Si adatta automaticamente alle temperature del colore di 2 700K - 6 000K.

**ATW2:** Si adatta automaticamente all'utilizzo di lampade al sodio (2 000 K - 6 000 K).

**AWC:** Si adatta automaticamente alle temperature del colore di 2 000 K - 10 000 K.

**Note:**

- Quando si seleziona "ATW1" o "ATW2", non è necessaria alcuna ulteriore operazione.
- "ATW1" e "ATW2" non compaiono sul menu di configurazione della tastiera di controllo del sistema.
- Selezionare "AWC" nei seguenti casi: la temperatura del colore è fuori dalla gamma 2 000 K - 6 000 K, la scena contiene principalmente alte temperature del colore come un cielo azzurro o un tramonto, oppure la scena è buia.
- Quando è selezionato "AWC", è necessaria la regolazione di "AWC".

### Regolazione di AWC

1. Selezionare "AWC" e premere il tasto [LEFT].  
→ "AWC" verrà sostituito da "AWC → PREM SW".
2. Premere il tasto [SET].  
→ "PREM SW" sarà evidenziato mentre si esegue la regolazione di "AWC".

**Nota:**

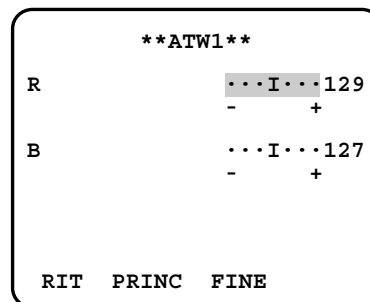
- Se il bilanciamento del bianco non è stato regolato, "PREM SW" viene evidenziato.

3. Premere il tasto [RIGHT].

### Regolazione precisa manuale

Eseguire una regolazione precisa in base alla necessità.

1. Selezionare "BIL.BIANCO" e premere il tasto [SET].  
→ Si aprirà il menu di regolazione precisa di ATW o AWC.
2. Regolare precisamente il guadagno di "R" (Rosso) e "B" (Blu) spostando il cursore "I".

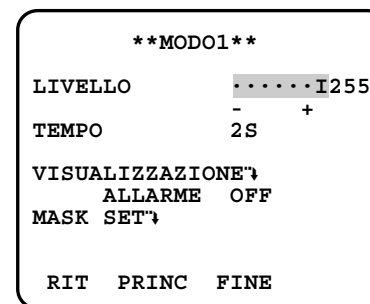


## 8. Regolazione della rivelazione di movimento (MOTION DET)

Quando viene rilevata una serie di cambiamenti nelle immagini, la telecamera invia un allarme ad un dispositivo esterno quale un registratore su disco. Il registratore inizierà a registrare le immagini.

1. Selezionare una modalità per "MOTION DET" sul menu "CAMERA CONFIG.". La regolazione predefinita è "OFF".  
**OFF:** Disattiva l'uscita dell'allarme.  
**MOD01:** Invia un allarme quando viene rilevata una serie di movimenti.  
**MOD02:** Invia un allarme quando viene rilevata una serie di cambiamenti nella scena.  
→ Il menu "MOD01" si apre quando si seleziona "MOD01" e si preme il tasto [SET].

2. Regolare "LIVELLO" per ottimizzare la sensibilità della rivelazione.



3. Selezionare un tempo di sosta. La regolazione predefinita è "2S".

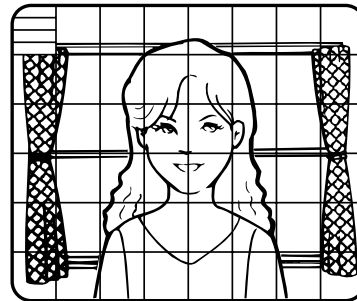
**Tempi disponibili (secondi):** 2, 5, 10, 30

La rilevazione successiva verrà eseguita una volta trascorso il tempo impostato.

4. Selezionare "MASK SET" e premere il tasto [SET].

→ Si apre una schermata suddivisa in 48 quadri.

- Specificare aree di non-rivelazione (mascheratura) e aree di rivelazione nello stesso modo descritto precedentemente in 2-2 Modalità ALC. (☞ pagina 169)
- Tenere premuto [SET] per 2 secondi per ritornare al menu "MODO1".



---

**Nota:**

- Eseguire la regolazione dell'area di mascheratura dopo aver impostato "STABILIZZAT." nel menu "CAMERA CONFIG." su "OFF".
- 

5. Selezionare "ON" o "OFF" per "ALLARME" sotto "VISUALIZZAZIONE".

**ON:** Invia un allarme

**OFF:** Non invia un allarme. Questo è applicabile quando viene utilizzata una delle seguenti tastiere di controllo: WV-RM70, serie WV-CU550, WV-CU161, WV-CU360, WV-CU650, WV-CU850, WV-CU950

6. Selezionare "VISUALIZZAZIONE" e premere il tasto [SET] per vedere le impostazioni attuali.

Quando verrà rilevato un movimento, l'area lampeggerà.

- Premere il tasto [SET] per ritornare al menu "MODO1".

7. Se necessario, ripetere l'operazione per eseguire la regolazione di "LIVELLO" e l'impostazione di "MASK SET" controllando sulla schermata "VISUALIZZAZIONE".

---

**Importante:**

- In sistemi diversi da quelli Panasonic, selezionare "OFF" per "MOTION DET" per evitare che i dispositivi di sistema confondano un segnale di codice di tempo con un segnale di allarme.
  - Regolare "MASK SET" sulle aree dove ondeggiano foglie, tendaggi, etc.
  - Regolare il livello di rivelazione per evitare che la rivelazione confonda il movimento con il rumore in condizioni di scarsa illuminazione.
  - Occorrono circa 0,2 secondi perché il segnale di allarme raggiunga il terminale di allarme del VTR dopo la rivelazione.
  - La rivelazione di movimento/cambiamento nella scena non è concepito appositamente per la prevenzione di furti o incendi.
- 

**Rivelatore di movimento**

Il rivelatore di movimento suddivide lo schermo in 48 blocchi e monitora i cambiamenti nell'illuminazione in ciascun blocco. Quando rileva un qualsiasi cambiamento (movimento) nell'immagine, invia un segnale di allarme. Quando viene rilevato un cambiamento (movimento) nell'immagine durante la modalità automatica, il segnale di allarme viene inviato e la telecamera si ferma nella posizione preselezionata per un periodo di tempo specificato.

**Modalità di dimostrazione**

La modalità di dimostrazione suddivide lo schermo in 48 blocchi e monitora i cambiamenti nell'illuminazione in ciascun blocco. Maschera inoltre qualsiasi parte dell'immagine dove si verifica un cambiamento nell'illuminazione media che supera il livello di sensibilità della rivelazione attualmente specificato. I risultati della modalità di dimostrazione possono essere utilizzati per determinare il livello ottimale di sensibilità della rivelazione (passaggio 2) e le aree dello schermo che devono essere mascherate (passaggio 4).

**Riguardo a MODO2 della rivelazione di movimento**

La telecamera rileverà un cambiamento nella scena nei seguenti casi.

- Quando l'obiettivo viene completamente coperto a spruzzo o coperto con un panno, un coperchio o qualcosa di simile
  - Quando la direzione della telecamera viene cambiata improvvisamente
- 

**Importante:**

- La telecamera non rileverà un cambiamento nella scena nei seguenti casi.
    - Quando un panno con dei motivi copre l'obiettivo ed è mosso dal vento
    - Quando alcune parti dello schermo non sono mascherate
    - Quando le schermate presentano una struttura della scena simile sebbene la direzione della telecamera sia cambiata
  - La telecamera rileverà erroneamente un cambiamento nella scena nei seguenti casi.
    - Quando si verifica un evidente cambiamento della luminosità (ad es. accensione/spegnimento delle lampade)
    - Quando gli oggetti si muovono costantemente come nel caso di circolazione in strade trafficate
-

## 9. Regolazione della riduzione del rumore digitale [Digital Noise Reduction (DNR)]

Selezionare una modalità di "DNR" adatta alle condizioni della posizione della telecamera. La regolazione predefinita è "ALTO".

**ALTO:** Riduce considerevolmente il rumore, sebbene produca immagini residue quando gli oggetti si muovono.

**BASSO:** Riduce leggermente il rumore e produce meno immagini residue.

## 10. Regolazione della risoluzione (RISOLUZIONE)

Selezionare una modalità di risoluzione orizzontale. La regolazione predefinita è "ALTO".

**NORMALE:** Risolve più di 480 linee TV.

**ALTO:** Risolve tipicamente 540 linee TV, sebbene possa aumentare il rumore quando è attivato "SENS UP" in condizioni di scarsa illuminazione.

## 11. Regolazione della modalità bianco e nero (MODALITA' BN)

1. Selezionare "MODALITA' BN" sul menu "CAMERA CONFIG." e premere il tasto [SET].

→ Si apre il menu "MODALITA' BN".

2. Selezionare una modalità per "BN". La regolazione predefinita è "OFF".

→ Quando si seleziona "AUTO1" o "AUTO2", appaiono "LIVELLO" e "TEMPO DURATA".

**AUTO1:** Imposta la modalità su bianco e nero se l'immagine è scura, o su colore se l'immagine è sufficientemente luminosa.

**AUTO2:** Funziona come "AUTO1", tranne che questa modalità si applica all'utilizzo di luce a infrarosso vicino. (lunghezza d'onda  $\geq 800$  nm).

**ON:** Imposta la modalità su bianco e nero.

**OFF:** Imposta la modalità su colore.

---

### Note:

- Possono verificarsi casi in cui "AUTO1" o "AUTO2" non funzionano correttamente se la telecamera è orientata verso oggetti in continuo movimento o una scena con un singolo colore come un cielo azzurro.
- È possibile configurare la modalità del fuoco posteriore in modo da compensare la sfocatura che si può verificare quando la telecamera commuta automaticamente tra le modalità colore e bianco e nero. Per dettagli, far riferimento a pag. 175, Regolazione del fuoco posteriore.

3. Selezionare un livello di soglia ("LIVELLO") per commutare tra la modalità colore e la modalità bianco e nero. La regolazione predefinita è "ALTO".

**ALTO:** Commuta la modalità ad un'illuminazione di circa 5 lux.

**BASSO:** Commuta la modalità ad un'illuminazione di circa 1 lux.

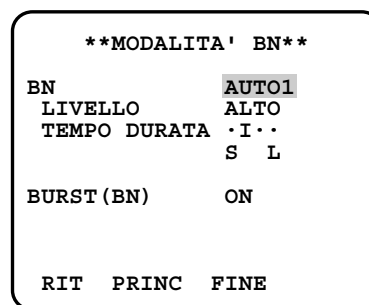
4. Selezionare una durata per determinare se commutare o meno la modalità. La regolazione predefinita è 30 secondi.

**Tempi disponibili:** (Breve) 10 s ↔ 30 s ↔ 60 s ↔ 300 s (Lungo)

5. Selezionare una modalità del segnale di burst. La regolazione predefinita è "ON".

**ON:** Fornisce il segnale di burst (colore) con il video composito in bianco e nero.

**OFF:** Non viene fornito il segnale di burst.



---

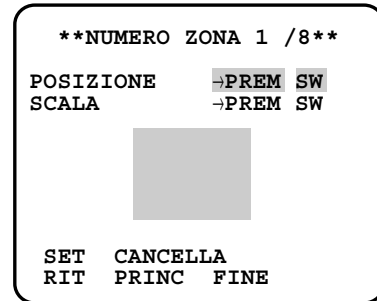
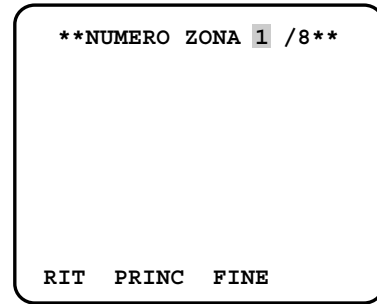
### Nota:

- Normalmente si consiglia di utilizzare "ON". Provare sia "ON" sia "OFF" in modo da adattarsi ai dispositivi collegati (registratori, monitor, etc.) che possiedono caratteristiche diverse.

## 12. Regolazione della zona di privacy (ZONA PRIVACY)

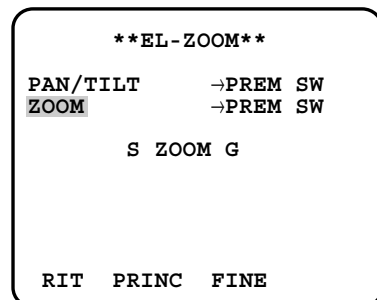
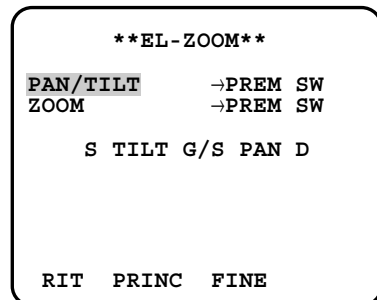
Eseguire le impostazioni di un massimo di otto zone di privacy dove si desidera mascherare lo schermo del monitor.

- Selezionare "ON(1)", "ON(2)" o "OFF" per "ZONA PRIVACY" sulla seconda pagina del menu "CAMERA CONFIG." e premere il tasto [SET]. La regolazione predefinita è "OFF".  
**ON (1):** Maschera la zona in grigio.  
**ON (2):** Maschera la zona con il mosaico.  
**OFF:** Visualizza normalmente le immagini.  
 → Si apre il menu di selezione "NUMERO ZONA".
- Selezionare il numero di una zona sulla riga superiore utilizzando i tasti [LEFT] e [RIGHT] e premere il tasto [SET]. Un numero di zona seguito da un asterisco \* indica che è già stato registrato.  
 → "POSIZIONE", "SCALA" ed una cornice appaiono sul menu.
- Selezionare "→PREM SW" per "POSIZIONE" e premere il tasto [SET].  
 → Si rende disponibile la selezione della posizione.
- Spostare la parte dell'immagine da mascherare al centro della cornice utilizzando i tasti [LEFT], [RIGHT], [UP] o [DOWN].
- Selezionare "→ PREM SW" per "SCALA" e premere il tasto [SET].  
 → Si rende disponibile la regolazione della scala della zona.
- Regolare la scala della zona utilizzando i tasti [LEFT], [RIGHT], [UP] o [DOWN].
- Per applicare le impostazioni, spostare il cursore su "SET" e premere il tasto [SET].  
 → Lo schermo ritorna al menu di selezione "NUMERO ZONA".  
 Per cancellare le impostazioni, selezionare "CANCELLA" e premere il tasto [SET].



## 13. Zoom elettronico (EL-ZOOM)

- Spostare il cursore su "EL-ZOOM".
- Selezionare "ON" o "OFF" premendo i tasti [LEFT] e [RIGHT]. La regolazione predefinita è "OFF".  
**ON:** Lo zoom elettronico 2x è disponibile con il commutatore ZOOM sulla tastiera di controllo.  
**OFF:** La funzione dello zoom elettronico è disattivata.
- Mentre il cursore è su "EL-ZOOM", premere il tasto [SET]. Appare il menu "EL-ZOOM".
- Spostare il cursore su "→PREM SW" per "ZOOM" e premere il tasto [SET] per visualizzare il menu di regolazione "ZOOM".
- Premere il tasto [UP] o [DOWN] per avvicinare o allargare l'immagine con lo zoom.
- Spostare il cursore su "→PREM SW" per "PAN/TILT" e premere il tasto [SET]. Appare il menu di regolazione "PAN/TILT".
- Premere il tasto [LEFT], [RIGHT], [UP] o [DOWN] per cambiare il campo ottico angolare.
- Per ritornare al menu "EL-ZOOM", premere il tasto [SET].



## 14. Stabilizzatore automatico dell'immagine (STABILIZZAT.)

Questa funzione compensa elettronicamente un'immagine instabile della telecamera causata dal movimento di un palo o di una staffa di montaggio. La regolazione predefinita è "OFF".

**ON:** Compensa automaticamente un'immagine instabile.

**OFF:** Lo stabilizzatore dell'immagine non entra in funzione.

### Importante:

- Quando si imposta su "ON", alcuni pixel efficaci sulla periferia del CCD vengono utilizzati dalla funzione di stabilizzazione. Questo può risultare in una leggera diminuzione della risoluzione ed in un angolo visuale più stretto. Dopo aver attivato la funzione dello stabilizzatore dell'immagine, controllare che il campo ottico sia corretto.
- La stabilizzazione dell'immagine può non funzionare quando si verifica un eccessivo movimento della telecamera oppure quando la scena è scarsamente illuminata o con oggetti a basso contrasto.

## 15. Impostazione del LED (LED)

Si seleziona "ON" o "OFF" per determinare se utilizzare o meno il LED situato sulla parte laterale di questa unità. La regolazione predefinita è "ON".

**ON:** Il LED lampeggia quando la funzione del rivelatore di movimento (☞ pagina 171) rileva un cambiamento in un'immagine. Si accende nei casi diversi dal precedente.

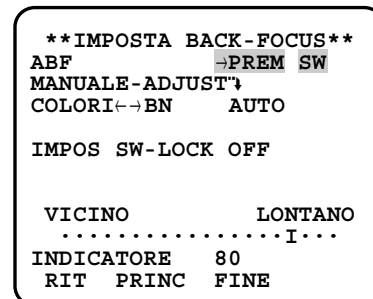
**OFF:** Il LED resta spento.

## 16. Regolazione del fuoco posteriore (IMPOSTA BACK-FOCUS)

Eseguire remotamente la regolazione del fuoco posteriore (flangia posteriore: la distanza tra l'obiettivo ed il piano focale) su questo menu utilizzando una tastiera di controllo. Dopo l'installazione, si può eseguire questa regolazione quando si verifica una sfuocatura che può essere causata dall'utilizzo a lungo termine, da cambiamenti ambientali, etc.

### Importante:

- Non utilizzare la funzione ABF per scopi continui o ripetitivi (ad es. la messa a fuoco automatica, etc.). Questa funzione è da utilizzare per correggere la sfuocatura causata dalla commutazione tra colore e bianco e nero quando si installa o dopo aver installato la telecamera.



1. Selezionare "BACK-FOCUS" sul menu principale e premere il tasto [SET].  
→ Si apre il menu "IMPOSTA BACK-FOCUS".
2. Selezionare "ABF" e premere il tasto [SET].  
→ La regolazione viene eseguita automaticamente.

### Note:

- L'esecuzione dell'ABF funzionerà per ottenere la miglior messa a fuoco attorno alle aree centrali in una scena.
- L'esecuzione dell'ABF è disponibile soltanto quando sono selezionati "OFF", "X2 AUTO" o "X2 FISSO" per "SENS UP".
- L'utilizzo della funzione ABF in condizioni di scarsa illuminazione può causare rumore.

3. Selezionare "MANUALE-ADJUST" e premere il tasto [SET] se fosse necessario regolare manualmente. Si aprirà la schermata di regolazione manuale del fuoco posteriore.
  - Utilizzare i tasti [LEFT] o [RIGHT] per spostare il cursore "I" ed ottenere una corretta messa a fuoco.  
→ Far riferimento al numero a 4 cifre sulla seconda riga dal basso. Maggiore è il numero, migliore sarà la messa a fuoco.
  - Selezionare "RIT" e premere il tasto [SET] per ritornare al menu di configurazione.
4. Selezionare una modalità per "COLORI ←→ BN". La regolazione predefinita è "AUTO".

**AUTO:** Regola automaticamente il fuoco posteriore ogni volta che la telecamera commuta la modalità tra colore e bianco e nero. "AUTO" è utilizzabile soltanto quando sono selezionati "OFF", "X2 AUTO" o "X2 FISSO" per "SENS UP".

**PRESET:** Regola il fuoco posteriore nelle posizioni per la modalità colore e per la modalità bianco e nero che sono state preselezionate eseguendo il passaggio 2 (automaticamente) o il passaggio 3 (manualmente) nelle rispettive condizioni di illuminazione.

**FISSO:** Fissa il fuoco posteriore dopo la regolazione.

5. Selezionare "ON" o "OFF" per "IMPOS SW-LOCK". La regolazione predefinita è "OFF".
  - OFF:** Abilita il tasto [SET] all'apertura della schermata di regolazione del fuoco posteriore mentre è visualizzata l'immagine della telecamera.
  - ON:** Non consente al tasto [SET] di aprire la schermata di regolazione del fuoco posteriore.
6. Per ripristinare il fuoco posteriore alla regolazione predefinita, premere simultaneamente i tasti [LEFT] e [RIGHT].

**Importante:**

- Selezionare "FISSO" o "PRESET" e regolare manualmente il fuoco posteriore quando la regolazione automatica è ostacolata dalle seguenti condizioni.
  1. Sporco o gocce d'acqua sul vetro della finestra  
Questo causa la sfuocatura dell'oggetto oltre il vetro.
  2. Oggetti in condizioni di scarsa illuminazione
  3. Oggetti estremamente luminosi
  4. Oggetti a contrasto piatto quali una parete bianca o un feltro fine
  5. Oggetti posizionati alla periferia della scena
  6. Più di un oggetto posizionato con una certa profondità
  7. Un oggetto che ha una certa profondità
  8. Oggetti in continuo movimento come strade trafficate
  9. Oggetti estremamente tremolanti
  10. Oggetti che consistono di linee parallele orizzontali come una tenda avvolgibile
- Panasonic Corporation non sarà responsabile per alcun inconveniente, danno o perdita causato da / attribuito a impostazioni scorrette della funzione ABF.

## 17. Menu speciale (CONFIG. SPECIALE)

Selezionare "SPECIALE" sul menu principale e premere il tasto [SET].  
→ Si apre il menu "CONFIG. SPECIALE".

### 17-1. Regolazione del livello cromatico (CHROMA GAIN)

Spostare il cursore "I" per regolare il livello cromatico.

### 17-2. Regolazione del guadagno dell'apertura (AP GAIN)

Spostare il cursore "I" per regolare il livello di guadagno dell'apertura.

Abbassare il livello quando moiré (marezzatura, un tipo di rumore, interferenza ottica) appare sullo schermo come parte di un pattern a minuto tratteggio incrociato, etc.

### 17-3. Regolazione del livello di spegnimento (PEDESTAL)

Spostare il cursore "I" per regolare il livello di spegnimento (livello del nero).

### 17-4. Regolazione della compensazione dei pixel (PIX OFF)

Eseguire le impostazioni per compensare un massimo di 16 pixel imperfetti sul dispositivo di pickup.

1. Selezionare "PIX OFF" e premere il tasto [SET].  
→ Si apre il menu "PIX OFF" con i numeri da 1 a 16.
2. Selezionare un numero e premere il tasto [SET].  
→ Si apre la schermata di assegnazione di "PIX OFF" con un cursore +.

```

**CONFIG.SPECIALE**
CHROMA GAIN  ....I..160
AP GAIN      ..I.... 89
PEDESTAL     ....I..171
              -      +

PIX OFF↵

RESET CAMERA →PREM SW

SER.NO. 00000000
RIT  PRINC  FINE
  
```

```

**PIX OFF**

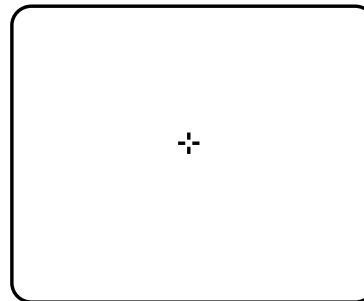
 1   2   3   4
 5   6   7   8
 9  10  11  12
13  14  15  16

000 000

RIT  PRINC  FINE
  
```



3. Spostare il cursore al centro della posizione di un'imperfezione finché la sua presenza non diventa meno evidente. Infine, premere il tasto [SET].
  - Le posizioni orizzontale e verticale (coordinate) dell'imperfezione verranno visualizzate con un numero a 6 cifre sulla seconda riga dal basso.
  - La posizione dell'imperfezione viene registrata per essere compensata.
  - La schermata ritorna al menu "PIX OFF" che visualizza il numero seguito da un asterisco se è stato registrato.



4. Ripetere i passaggi precedenti in base alla necessità.
5. Per cancellare una registrazione, selezionare un numero con l'asterisco nel menu "PIX OFF" e premere il tasto [SET].
  - Si apre la schermata di assegnazione di "PIX OFF".  
Tenere premuti simultaneamente i tasti [LEFT] e [RIGHT] per 2 o più secondi.
  - Appare il menu "PIX OFF" che visualizza il numero senza l'asterisco se la sua registrazione è stata cancellata.

### **17-5. Per ripristinare le regolazioni predefinite (RESET CAMERA)**

1. Selezionare "RESET CAMERA".
  - "→PREM SW" è evidenziato.
2. Mentre si tengono premuti i tasti [LEFT] e [RIGHT], premere il tasto [SET] per 2 o più secondi.
  - La telecamera ritornerà alle regolazioni predefinite.

---

**Nota:**

- La regolazione di "PIX OFF" non può essere inizializzata.
- 

### **17-6. Verrà visualizzato il numero di serie della telecamera. (SER. NO.)**

# Correzione dei difetti di funzionamento

Prima di richiedere la riparazione, controllare i sintomi con la tabella seguente. Rivolgersi al proprio rivenditore se un problema non può essere risolto anche dopo aver controllato e provato la soluzione nella tabella, oppure se il problema non è descritto sotto.

Sintomo	Causa/soluzione	Pagine di riferimento
Nessuna immagine visualizzata	<ul style="list-style-type: none"> <li>Il cavo di alimentazione ed il cavo coassiale sono collegati correttamente? → Controllare se il collegamento è stato stabilito correttamente.</li> </ul>	158
	<ul style="list-style-type: none"> <li>La luminosità del monitor è regolata correttamente, oppure il contrasto è regolato correttamente? → Controllare se le impostazioni del monitor sono corrette.</li> </ul>	-
Immagine sfocata	<ul style="list-style-type: none"> <li>L'obiettivo della telecamera è coperto di sporco o polvere? → Controllare se l'obiettivo della telecamera è pulito.</li> </ul>	-
	<ul style="list-style-type: none"> <li>La messa a fuoco è regolata correttamente? → Controllare se la messa a fuoco è regolata correttamente.</li> </ul>	160
Guaina del cavo di alimentazione danneggiata	<ul style="list-style-type: none"> <li>Il cavo di alimentazione è danneggiato. L'utilizzo di cavo danneggiato può causare scosse elettriche o incendi. Togliere immediatamente l'alimentazione e richiedere al proprio rivenditore la riparazione.</li> </ul>	-
Parte del cavo di alimentazione surriscaldato durante l'utilizzo		
Cavo di alimentazione surriscaldato o collegamento allentato in quanto piegato o tirato durante l'utilizzo		
LED non acceso	<ul style="list-style-type: none"> <li>È fornita alimentazione alla telecamera? → Controllare se è fornita alimentazione alla telecamera.</li> </ul>	-
	<ul style="list-style-type: none"> <li>È selezionato "ON" per l'impostazione del LED? → Controllare se è selezionato "ON" per l'impostazione del LED.</li> </ul>	175

## Dati tecnici

### ● Telecamere TVCC a colori

Alimentazione e consumo di corrente:	WV-CW384: 24 V CA 50 Hz, 18 W, 12 V CC, 560 mA WV-CW380: Da 220 V a 240 V CA, 50 Hz, 14 W
Sensore di immagine:	Interline transfer CCD 1/3"
Pixel efficaci:	752 (H) x 582 (V)
Area di scansione:	4,8 mm (H) x 3,6 mm (V)
Sistema di scansione:	Interlaccio 2:1
Frequenza di scansione:	Orizzontale: 15,625 kHz, Verticale: 50.00 Hz
Sincronizzazione:	Controllo verticale multiplato (VD2), di rete (Line-Lock (LL)), interna (INT)
Risoluzione:	Orizzontale: 570 linee TV (modalità BM), 540 linee TV tipica, 520 linee TV minima (modalità colore, risoluzione: ALTA) Verticale: 400 linee TV (al centro)
Illuminazione minima:	Modalità colore: 0,65 lux (miglioramento della sensibilità OFF, AGC ALTA: F1,6, WIDE) 0,065 lux (miglioramento della sensibilità 10x, AGC ALTA: F1,6, WIDE)* Modalità bianco e nero: 0,09 lux (miglioramento della sensibilità OFF, AGC ALTA: F1,6, WIDE) 0,009 lux (miglioramento della sensibilità 10x, AGC ALTA: F1,6, WIDE)* * Valore convertito
Rapporto segnale/rumore:	50 dB (AGC OFF)
Gamma dinamica:	54 dB tipica
Uscita video:	1,0 V[P-P] PAL composito/75 Ω, connettore BNC
Uscita del monitor:	1,0 V[P-P] PAL composito/75 Ω, ø3,5 mm minijack (monofonico)
Funzioni	
Titolo della telecamera:	Fino a 16 caratteri (caratteri alfanumerici, simboli)
Controllo della luce:	ALC
Super-Dynamic 3:	ON/OFF
Velocità dell'otturatore elettronico:	OFF (1/50), 1/120, 1/250, 1/500, 1/1 000, 1/2 000, 1/4 000, 1/10 000
Controllo del guadagno:	ON (ALTA)/ON (MEDIO)/ON (BASSO)/OFF
Miglioramento della sensibilità:	OFF, X2 AUTO, X4 AUTO, X6 AUTO, X10 AUTO, X2 FISSO, X4 FISSO, X6 FISSO, X10 FISSO, X16 FISSO, X32 FISSO
Sincronizzazione:	VD2/LL/INT
Bilanciamento del bianco:	ATW1/ATW2/AWC
Rivelazione di movimento video:	MODE1/MODE2/OFF
Riduzione del rumore digitale:	ALTA/BASSO
Risoluzione:	NORMALE/ALTA
Colore/Bianco e nero:	AUTO1/AUTO2/ON/OFF
Zona di privacy:	ON(1)/ON(2)/OFF
Zoom elettronico:	ON*/OFF (* Fino a 2x)
Stabilizzatore dell'immagine:	ON/OFF
LED:	ON/OFF
Fuoco posteriore:	ABF (AUTO/PRESET/FISSO), MANUALE-ADJUST
Speciale:	CHROMA GAIN, AP GAIN, PEDESTAL, PIX OFF
Lingua:	ENGLISH, FRANÇAIS, ESPAÑOL, DEUTSCH, ITALIANO, РУССКИЙ, CHINESE o JAPANESE
Temperatura ambiente di funzionamento:	Da -30 °C a +50 °C* * Da -10 °C a +50 °C a 12 V CC
Umidità ambiente di funzionamento:	90 % o inferiore (senza condensazione)
Resistenza all'acqua:	Telecamera: IEC60529 (IP66, Protezione contro la penetrazione d'acqua con effetti dannosi dovuta a potenti getti di acqua)* * Applicabile soltanto quando l'installazione ed il processo di impermeabilizzazione sono eseguiti correttamente.
Dimensioni:	82 (L) mm x 78 (A) mm x 301 (P) mm
Peso:	1,5 kg
Finitura:	Coperchio dell'obiettivo: Alluminio pressofuso con rivestimento metallico color argento Corpo principale: Resina AES con rivestimento metallico color argento

### ● Obiettivo

Lunghezza focale:	f=5 mm - 40 mm (obiettivo a focale variabile 8x)
Rapporto focale:	F1.6 (WIDE) - F1.9 (TELE)
Campo di messa a fuoco:	∞ - 1,2 m
Angolo visuale:	Orizzontale: 6,6 ° (TELE) - 52,0 ° (WIDE) Verticale: 5,0 ° (TELE) - 39,6 ° (WIDE)

### ● Staffa di montaggio della telecamera

Angolo di regolazione:	Campo di brandeggio orizzontale: ±100 ° Campo di brandeggio verticale: +30 °, -90 °
Dimensioni:	125 (L) mm x 125 (A) mm x 143 (P) mm
Peso:	240 g
Finitura:	Alluminio pressofuso con rivestimento metallico color argento

### ● Adattatore

Dimensioni:	133 (L) mm x 133 (A) mm x 50 (P) mm
Peso:	510 g
Finitura:	Alluminio pressofuso con rivestimento metallico color argento

Pesi e dimensioni indicati sono approssimativi.

## Accessori standard

Manuale di istruzioni (questo documento) .....	1 pz.
Quanto segue è per l'installazione.	
Staffa di montaggio della telecamera .....	1 pz.
Coperchio della staffa di montaggio .....	2 pz.
Schermo solare .....	1 pz.
Attacco del cavalletto .....	1 pz.
Adattatore.....	1 pz.
Viti di fissaggio della telecamera (M4 x 8) .....	4 pz.
(inclusa 1 vite di riserva)	
Viti del coperchio della staffa di montaggio (M3 x 6) .....	3 pz.
(inclusa 1 vite di riserva)	
Vite di montaggio dell'adattatore (M4 x 35) .....	1 pz.
Viti di montaggio per adattatore/staffa di montaggio della telecamera (M5 x 20) .....	5 pz.
(inclusa 1 vite di riserva)	
Viti di montaggio dello schermo solare (M3 x 6) .....	5 pz.
(inclusa 1 vite di riserva)	
Viti di montaggio per l'attacco del cavalletto (M3 x 8) .....	4 pz.
Essiccante .....	1 pz.
Nastro impermeabilizzante .....	1 pz.

## **Informazioni per gli utenti sullo smaltimento di apparecchiature elettriche ed elettroniche obsolete (per i nuclei familiari privati)**



Questo simbolo sui prodotti e/o sulla documentazione di accompagnamento significa che i prodotti elettrici ed elettronici usati non devono essere mescolati con i rifiuti domestici generici.

Per un corretto trattamento, recupero e riciclaggio, portare questi prodotti ai punti di raccolta designati, dove verranno accettati gratuitamente. In alternativa, in alcune nazioni potrebbe essere possibile restituire i prodotti al rivenditore locale, al momento dell'acquisto di un nuovo prodotto equivalente.

Uno smaltimento corretto di questo prodotto contribuirà a far risparmiare preziose risorse ed evitare potenziali effetti negativi sulla salute umana e sull'ambiente, che potrebbero derivare, altrimenti, da uno smaltimento inappropriato. Per ulteriori dettagli, contattare la propria autorità locale o il punto di raccolta designato più vicino.

In caso di smaltimento errato di questo materiale di scarto, potrebbero venire applicate delle penali, in base alle leggi nazionali.

### **Per gli utenti aziendali nell'Unione Europea**

Qualora si desideri smaltire apparecchiature elettriche ed elettroniche, contattare il rivenditore o il fornitore per ulteriori informazioni.

### **Informazioni sullo smaltimento in nazioni al di fuori dell'Unione Europea**

Questo simbolo è valido solo nell'Unione Europea.

Qualora si desideri smaltire questo prodotto, contattare le autorità locali o il rivenditore e chiedere informazioni sul metodo corretto di smaltimento.

**РУССКАЯ ВЕРСИЯ**  
(RUSSIAN VERSION)

**ПРЕДУПРЕЖДЕНИЕ:**

- Этот прибор должен быть заземлен.
- Все работы по монтажу настоящего прибора должны выполняться квалифицированным персоналом по техобслуживанию и ремонту или монтажниками систем.
- Соединения выполнить в соответствии с местными нормами и стандартами.

**ВНИМАНИЕ:**

Следует изучить содержание этикеток, имеющих в верхней и нижней частях прибора, для идентификации данного изделия и номинальную характеристику электропитания.



Пиктографический знак сверкания молнии со стрелкой в равностороннем треугольнике предупреждает пользователя о наличии в кожухе прибора неизолированного высокого «опасного напряжения», могущего создать опасность поражения электрическим током.



Восклицательный знак в равностороннем треугольнике предупреждает пользователя о наличии важных инструкций по эксплуатации и техобслуживанию в сопроводительной документации к прибору.

Для отключения прибора от сети электропитания следует отключить сеть электропитания.

**ВНИМАНИЕ:**

В электрооборудование здания должен быть встроен ВСЕПОЛЮСНЫЙ СЕТЕВОЙ ВЫКЛЮЧАТЕЛЬ с зазором между контактами минимум 3 мм в каждом полюсе.

**ДЛЯ ВАШЕЙ БЕЗОПАСНОСТИ ПРОСИМ ВНИМАТЕЛЬНО ПРОЧИТАТЬ СЛЕДУЮЩИЙ ТЕКСТ.**

**ПРЕДУПРЕЖДЕНИЕ:** Данный прибор должен быть заземлен.

**ВАЖНО**

Применяются провода шнура питания разных цветов в соответствии с назначениями, как описано ниже.

Зеленый-и-желтый: Земля  
Синий: Нейтральный  
Коричневый: Под напряжением

Поскольку расцветка проводов шнура питания данного прибора может не совпадать с расцветкой, применяемой для идентификации терминалов Вашего разъема, выполняют подключение в следующем порядке.

Провод, окрашенный в **зеленым-и-желтым** цветами, должен быть подсоединен к терминалу в разъеме, обозначенному буквой **E** или символом заземления **!**, либо окрашенному **зеленым** или **зеленым-и-желтыми** цветами.

Провод, окрашенный синим, должен быть подсоединен к терминалу в разъеме, обозначенному буквой **N**, или окрашенному черным.

Провод, окрашенный коричневым, должен быть подсоединен к терминалу в разъеме, обозначенному буквой **L**, или окрашенному красным.

# СОДЕРЖАНИЕ

Важные правила техники безопасности .....	184
Ограничение ответственности .....	185
Отказ от гарантии .....	185
Предисловие .....	186
Отличительные черты .....	186
Меры предосторожности .....	187
Основные органы управления и контроля и их функции .....	188
Меры предосторожности при монтаже .....	189
Монтаж/Соединение .....	190
■ Подготовка .....	190
■ Монтаж камеры .....	190
О меню установки .....	201
■ Основные операции .....	202
Порядок установки .....	203
Установка языка (LANGUAGE SETUP) .....	203
1. Установка идентификации камеры (ID КАМЕРЫ) .....	203
2. Установка режима регулировки освещенности (ALC) .....	204
3. Установка скорости вращения объектива (ЗАТВОР) .....	205
4. Установка регулировки усиления (AGC) .....	206
5. Электронное повышение чувствительности (SENS UP) .....	206
6. Установка синхронизации (СИНХРОНИЗАЦИЯ) .....	206
7. Установка баланса белого (БАЛАНС БЕЛ) .....	207
8. Установка детектирования движения (ДЕТЕКТ ДВИЖ) .....	207
9. Установка цифрового шумоподавления (DNR) .....	209
10. Установка разрешения (РАЗРЕШЕНИЕ) .....	209
11. Установка черно-белого режима (ЧЁРНО-БЕЛЫЙ РЕЖИМ) .....	209
12. Установка зоны прайвеси (ЧАСТНАЯ ЗОНА) .....	210
13. Электронное масштабирование (EL-ZOOM) .....	210
14. Автоматический стабилизатор изображения (СТАБИЛИЗАТОР) .....	211
15. Установка светодиода (LED) .....	211
16. Установка заднего фокуса (BACK-FOCUS SETUP) .....	211
17. Специальное меню (СПЕЦ.УСТАНОВКА) .....	212
Дефектовка .....	214
Технические характеристики .....	215
Стандартные аксессуары .....	216

## Важные правила техники безопасности

- 1) Следует изучить настоящую инструкцию.
- 2) Следует сохранить настоящую инструкцию.
- 3) Следует обратить внимание на все предупреждения.
- 4) Надо соблюдать все правила.
- 5) Следует очистить только сухими концами.
- 6) Нельзя закрывать всех вентиляционных отверстий и проемов. Монтируют в соответствии с инструкцией изготовителя.
- 7) Нельзя монтировать прибора вблизи источников тепла, таких как радиаторы, отопительный регистры, печки или прочие устройства (включая усилители), выделяющие теплоту.
- 8) Нельзя действовать во вред целям обеспечения безопасности поляризованной вилки или заземляющего штекера. Поляризованная вилка имеет два контакта, один из которых шире, чем другой. Заземляющий штекер имеет два контакта и третий заземляющий штырек. Широкий контакт и третий штырек предусмотрены для безопасности. Если предусмотренная вилка или штекер не пригоняется к сетевой розетке, то надо обратиться к электрику за заменой устаревшей розетки.
- 9) Следует защитить силовой кабель от надавливания или прищемления в вилках, розетках и точках, где они выходят из аппаратуры.
- 10) Следует применять только приспособления/принадлежности, назначенные изготовителем.
- 11) Следует использовать только тележку, подставку, треножник, кронштейн или стол, оговоренные изготовителем, или поставленные с аппаратурой. При использовании тележки надо внимательно переместить комбинацию тележки и аппаратуры во избежание ранения из-за опрокидывания.



- 12) Во время грозы или при оставлении аппаратуры в бездействии в течение длительного периода надо отключить ее от сети питания.



## Ограничение ответственности

НАСТОЯЩЕЕ ИЗДАНИЕ ПРЕДОСТАВЛЯЕТСЯ НА УСЛОВИЯХ «КАК ЕСТЬ», БЕЗ КАКИХ-ЛИБО ГАРАНТИЙ, ЯВНЫХ ИЛИ ПОДРАЗУМЕВАЕМЫХ, ВКЛЮЧАЯ, НО НЕ ОГРАНИЧИВАЯСЬ ЭТИМ, ПОДРАЗУМЕВАЕМЫЕ ГАРАНТИИ ВОЗМОЖНОСТИ КОММЕРЧЕСКОГО ИСПОЛЬЗОВАНИЯ, ПРИГОДНОСТИ ДЛЯ ПРИМЕНЕНИЯ В ОПРЕДЕЛЕННЫХ ЦЕЛЯХ ИЛИ НЕНАРУШЕНИЯ ПРАВ ТРЕТЬИХ ЛИЦ.

ЭТО ИЗДАНИЕ МОЖЕТ СОДЕРЖАТЬ ТЕХНИЧЕСКИЕ НЕТОЧНОСТИ ИЛИ ТИПОГРАФИЧЕСКИЕ ОШИБКИ. В ИНФОРМАЦИЮ, ПРИВЕДЕННУЮ В ДАННОМ ИЗДАНИИ, В ЛЮБОЕ ВРЕМЯ ВНОСЯТСЯ ИЗМЕНЕНИЯ ДЛЯ ВНЕСЕНИЯ УСОВЕРШЕНСТВОВАНИЙ В ИЗДАНИЕ И/ИЛИ СООТВЕТСТВУЮЩИ-Й(ИЕ) ПРОДУКТ(Ы).

## Отказ от гарантии

НИ В КАКИХ СЛУЧАЯХ, КРОМЕ ЗАМЕНЫ ИЛИ ОБОСНОВАННОГО ТЕХОБСЛУЖИВАНИЯ ПРОДУКТА, «Панасоник Корпорэйшн» НЕ НЕСЕТ ОТВЕТСТВЕННОСТИ ПЕРЕД ЛЮБОЙ СТОРОНОЙ ИЛИ ЛИЦОМ ЗА СЛУЧАИ, ВКЛЮЧАЯ, НО НЕ ОГРАНИВАЯСЬ ЭТИМ:

- (1) ВСЯКОЕ ПОВРЕЖДЕНИЕ И ПОТЕРИ, ВКЛЮЧАЮЩИЕ БЕЗ ОГРАНИЧЕНИЯ, НЕПОСРЕДСТВЕННЫЕ ИЛИ КОСВЕННЫЕ, СПЕЦИАЛЬНЫЕ, ПОБОЧНЫЕ ИЛИ ТИПОВЫЕ, ВОЗНИКАЮЩИЕ ИЗ ИЛИ ОТНОСЯЩИЕСЯ К ДАННОМУ ИЗДЕЛИЮ;
- (2) ТРАВМЫ ИЛИ ЛЮБОЕ ПОВРЕЖДЕНИЕ, ВЫЗЫВАЕМЫЕ НЕСООТВЕТСТВУЮЩИМ ПРИМЕНЕНИЕМ ИЛИ НЕБРЕЖНЫМ УПРАВЛЕНИЕМ ПОЛЬЗОВАТЕЛЯ;
- (3) НЕОБОСНОВАННУЮ РАЗБОРКУ, РЕМОНТ ИЛИ МОДИФИКАЦИЮ ИЗДЕЛИЯ ПОЛЬЗОВАТЕЛЕМ;
- (4) НЕУДОБСТВО ИЛИ ЛЮБЫЕ ПОТЕРИ, ВОЗНИКАЮЩИЕ ПРИ НЕПРЕДСТАВЛЕНИИ ИЗОБРАЖЕНИЙ ПО ЛЮБОЙ ПРИЧИНЕ, ВКЛЮЧАЮЩЕЙ ОТКАЗ ИЛИ НЕИСПРАВНОСТЬ ИЗДЕЛИЯ;
- (5) ЛЮБУЮ НЕИСПРАВНОСТЬ, КОСВЕННОЕ НЕУДОБСТВО ИЛИ ПОТЕРЮ ИЛИ ПОВРЕЖДЕНИЕ, ВОЗНИКАЮЩИЕ ИЗ СИСТЕМЫ, КОМБИНИРОВАННОЙ С УСТРОЙСТВАМИ ТРЕТЬЕЙ СТОРОНЫ;
- (6) ЛЮБУЮ РЕКЛАМАЦИЮ ИЛИ ДЕЛО ПРОТИВ УБЫТКОВ, ВОЗБУЖДЕННЫЕ ЛЮБЫМ ЛИЦОМ ИЛИ ОРГАНИЗАЦИЕЙ, ЯВЛЯЮЩЕЙСЯ СУБЪЕКТОМ, СВЯЗАННЫМ С ФОТОГРАФИЕЙ, ВСЛЕДСТВИЕ НАРУШЕНИЯ ПРАЙВЕСИ С РЕЗУЛЬТАТОМ ТОГО, ЧТО ИЗОБРАЖЕНИЕ ПО СТОРОЖЕВОЙ КАМЕРЕ, ВКЛЮЧАЯ СОХРАНЕННЫЕ ДАННЫЕ, ПО КАКОЙ-ЛИБО ПРИЧИНЕ СТАНОВИТСЯ ОБЩЕИЗВЕСТНЫМ, ЛИБО ИСПОЛЬЗУЕТСЯ ДЛЯ ЦЕЛЕЙ, ИНЫХ, ЧЕМ СТОРОЖЕВОЕ НАБЛЮДЕНИЕ.

## Предисловие

Камеры серии WV-CW384 и WV-CW380 марки «Панасоник» представляют высокое качество изображений с использованием ПЗС-матрицы 1/3-дюймового класса Super-Dynamic и БИС цифровой обработки сигналов. Настоящие камеры рассчитаны на настенный или потолочный монтаж с использованием поставленного кронштейна для монтажа камеры.

## Отличительные черты

### **Введение SUPER-D3 (функции Super Dynamic)**

Интеграция SUPER-D3 в ПЗС и схему обработки сигналов улучшила динамический диапазон примерно в 160 раз по сравнению с традиционными камерами. Поэтому объект фотосъемки с большой разницей в освещенности между яркими и темными зонами может быть отображен естественно в изображении.

### **Предусмотрена функция автоматической регулировки заднего фокуса (ABF)**

Регулировка заднего фокуса может производиться при помощи операционных кнопок на настоящем приборе и меню установки. Задний фокус может дистанционно регулироваться с системного контроллера (поставляемого по опции) даже после монтажа настоящего прибора. Функция автоматической регулировки заднего фокуса также позволяет пользователю корректировать расфокусировку при переключении между цветным и черно-белым изображениями.

### **Достигнута высокая чувствительность благодаря функции шумоподавления**

Введение малозумных схем позволило значительно улучшить чувствительность и тем самым обеспечить минимальную освещенность 0,65 лк в цветном режиме и 0,09 лк в черно-белом режиме.

### **Предусмотрена функция включения ночного видения черно-белого изображения**

В темное время суток отпадает необходимость в управлении камерой, так как в условиях низкой освещенности цветной режим отображения изображения автоматически переключается в черно-белый.

### **Предусмотрена функция детектирования движения**

Когда на мониторе отмечается какое-либо движение, либо камера покрывается тканью, крышкой или т.п., либо же направление камеры изменяется в процессе мониторинга, то выдается сигнал тревоги.

# Меры предосторожности

## Данный прибор не имеет выключателя сети.

Питание осуществляется от внешнего источника питания пост. т. 12 В/перем. т. 24 В (WV-CW384) или источника питания перем. т. 220 – 240 В (WV-CW380). За информацией о порядке подключения прибора к сети питания/отключения от нее следует обращаться к персоналу по техобслуживанию и ремонту.

## Для того, чтобы продолжить работу прибора с устойчивыми характеристиками

- Если прибор эксплуатируется в местах, подверженных воздействию высокой температуры и относительной влажности воздуха, то может ухудшаться качество деталей прибора, что может привести к сокращению ресурса прибора.

Не следует подвергать прибор непосредственному воздействию тепла отопителя и пр.

- Следует эксплуатировать прибор при температуре от  $-30\text{ }^{\circ}\text{C}$  до  $+50\text{ }^{\circ}\text{C}^*$  и относительной влажности воздуха ниже 90 %.

\* От  $-10\text{ }^{\circ}\text{C}$  до  $+50\text{ }^{\circ}\text{C}$  при пост. т. 12 В

## Не допускается попадание металлических деталей вовнутрь через щели.

Иначе может возникнуть невозвратимое повреждение прибора. Надо немедленно отключить прибор от сети питания, затем обратиться к квалифицированному персоналу по техобслуживанию и ремонту за техобслуживанием.

## Не следует вытирать края металлических деталей рукой.

Несоблюдение этого требования может привести к травмированию.

## Не следует пытаться разобрать прибор.

Во избежание поражения электрическим током не следует снимать винты или крышки.

Прибор не имеет внутренних деталей, поддающихся ремонту пользователем.

За ремонтом надо обратиться ко квалифицированному персоналу по техобслуживанию и ремонту.

## Нужно обращаться с настоящим прибором осторожно.

Не следует неправильно обращаться с настоящим прибором. Надо внимательно оберегать прибор от воздействия ударной нагрузки, толчков и др.

Неправильное обращение или хранение прибора может привести к его повреждению.

## Очистка корпуса прибора

При очистке прибора отключают его от сети питания. Для очистки прибора следует использовать сухие концы. Не следует использовать сильнодействующие абразивные моющие средства для очистки корпуса прибора. Если удалить грязь трудно, то надо спокойно обтереть корпус с помощью слабого моющего средства. Затем вытирают прибор от оставшегося моющего средства сухими концами.

В противном случае может возникнуть обесцвечивание. В случае очистки микроволокнистыми концами следует соблюдать правила их использования.

## Очищают объектив с большой осторожностью.

Не следует очищать объектив сильнодействующими или абразивными моющими средствами. Следует использовать протирочную ткань для объектива или хлопчатобумажный аппликатор и этанол.

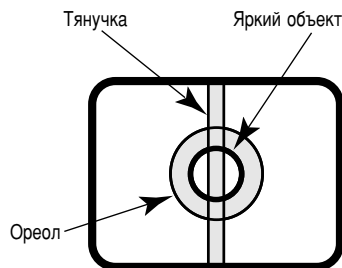
## Обесцвечивание цветного светофильтра ПЗС

При непрерывной съемке яркого источника света, такого как прожектор, может возникать ухудшение качества цветного светофильтра ПЗС и, как следствие, обесцвечивание.

Даже при изменении направления стационарной съемки после непрерывной съемки прожектора в течение некоторого времени светофильтр может оставаться обесцвеченным.

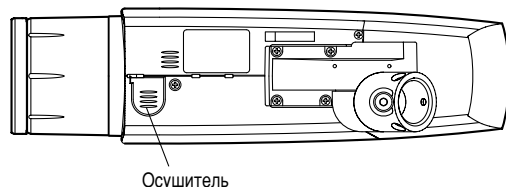
## Не следует направлять прибор на источники яркого света.

Источник света, такой как прожектор, вызывает ореол (размывание) или «тянучку» (вертикальные линии).



## Об осушителе

- Настоящий прибор оснащен осушителем, который поддерживает его внутреннюю полость на низком уровне влажности, предотвращая конденсацию и при росообразовании быстро рассеивая росу.
- В зависимости от температуры, относительной влажности воздуха, ветра и дождя может образоваться роса, устранение которой может отнимать немало времени.
- Нельзя преграждать поверхностей осушителя.



При возникновении каких-либо ненормальных условий следует отключить автоматический выключатель питания прибора.

## Нельзя управлять прибором при температуре, относительной влажности воздуха и характеристиках электропитания, превышающих установленные.

Следует эксплуатировать прибор при температуре от  $-30\text{ }^{\circ}\text{C}$  до  $+50\text{ }^{\circ}\text{C}^*$  и относительной влажности воздуха ниже 90 %. Входное напряжение питания равно 12 В/перем. т. 24 В (WV-CW384) или перем. т. 220 – 240 В (WV-CW380).

\* От  $-10\text{ }^{\circ}\text{C}$  до  $+50\text{ }^{\circ}\text{C}$  при пост. т. 12 В

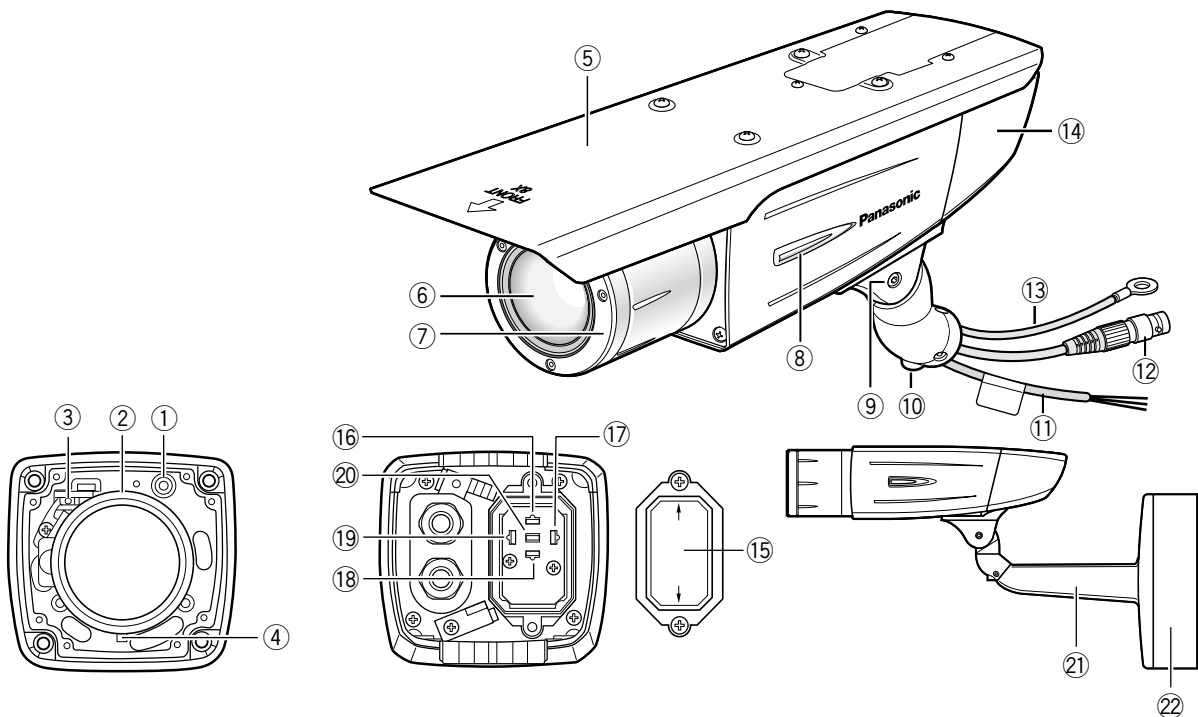
## Используют при низкой температуре

- При эксплуатации камеры при температуре  $-10\text{ }^{\circ}\text{C}$  или ниже для ее прогрева требуется 30 минут или более после подключения к сети питания.
- Изображения могут искажаться, так как встроенный нагреватель автоматически переключается, т.е. включается или отключается под действием колебаний условий эксплуатации.

## Что делать, когда на дисплее появляется «OVER HEAT» (Перегрев).

Это сообщение указывает, что внутренняя полость прибора стала чрезмерно горячей. Следует немедленно отключить прибор от сети питания, затем обратиться к дилеру.

# Основные органы управления и контроля и их функции



① **Джек выхода монитора (мини-джек диам. 3,5 (моно))**

Служит для подсоединения к монитору для регулировки угла поля зрения и фокуса.

② **Кольцо масштабирования**

Регулирует положение масштабирования. (☞ стр. 196)

③ **Кнопка автоматической регулировки заднего фокуса**

Включает функцию автоматической регулировки заднего фокуса.

④ **Ручка фиксирования фокуса**

Фиксирует фокальную точку. (☞ стр. 196)

⑤ **Солнцезащитный козырек (аксессуары)**

⑥ **Переднее стекло**

⑦ **Крышка объектива**

Защищает объектив. Крышка объектива снимается при его регулировке. После регулировки объектива необходимо плотно затянуть крепежные винты. (☞ стр. 195)

⑧ **Светодиод**

Загорается ровным или мигающим светом, или же гаснет в зависимости от заданных уставок. (☞ стр. 211)

⑨ **Винт фиксирования столика наклона**

Фиксирует положение наклона. (☞ стр. 195)

⑩ **Винт фиксирования столика панорамирования**

Фиксирует положение панорамирования. (☞ стр. 195)

⑪ **Шнур питания**

**Внимание:**

- Настоящий шнур служит для питания пост. т. 12 В/перем. т. 24 В (WV-CW384) или перем. т. 220 – 240 В (WV-CW380) от внешнего источника питания.

⑫ **Кабель видеовыхода**

⑬ **Проволока для предотвращения падения**

⑭ **Задняя крышка**

⑮ **Крышка кнопочной станции**

Эта крышка снимается при работе с операционными кнопками. После работы с кнопками необходимо плотно затянуть крепежные винты. (☞ стр. 197)

⑯ - ⑳ **Операционные кнопки**

⑯ **Кнопка вверх (UP)**

⑰ **Кнопка вправо (RIGHT)**

⑱ **Кнопка вниз (DOWN)**

⑲ **Кнопка влево (LEFT)**

⑳ **Кнопка установки (SET)**

㉑ **Кронштейн для монтажа камеры (аксессуары)**

㉒ **Коробка для адаптера (аксессуары)**

## Место монтажа

Если Вы не уверены в месте монтажа в специальных окружающих условиях, то следует обратиться к вашему дилеру за помощью.

Следует убедиться, что зона под монтаж прибора достаточно прочна для выдерживания его массы, как бетонный потолок. Если зона под монтаж прибора недостаточно прочна, то следует усилить и укрепить ее.

## Не следует монтировать настоящий прибор в следующих местах.

- Места, где использован химикат, как плавательный бассейн
  - Места, подверженные воздействию струи дыма или паров масла, как кухня
  - Места вблизи горючих газов или паров
  - Места, где создаются излучения, в том числе и рентгеновские
  - Места, подверженные воздействию сильного магнитного поля или радиоволн
  - Места, где выделяется агрессивный газ
  - Места, подверженные воздействию соленого воздуха, как морское побережье
  - Места, где температура выходит за пределы от  $-30\text{ }^{\circ}\text{C}$  до  $+50\text{ }^{\circ}\text{C}$ .\*
- \* От  $-10\text{ }^{\circ}\text{C}$  до  $+50\text{ }^{\circ}\text{C}$  при пост. т. 12 В
- Места, подверженные воздействию вибраций (данное изделие не предназначено для применения в автомобилях)

**Надо обязательно снять данный прибор, если он не эксплуатируется.**

## Баланс белого

Баланс белого не может регулироваться правильно в следующих случаях.

- Когда объект куда менее белый или почти одноцветный
- Когда объект находится в помещении утром или вечером, либо в условиях низкой освещенности
- Когда объект находится в среде с крайне разной цветовой температурой (например, в условиях цветного освещения)

**Следует держать кабель видеовыхода дальше от кабеля системы освещения.**

Несоблюдение этого требования может привести к появлению помех.

## Эфирные помехи

Когда настоящий прибор эксплуатируется вблизи ТВ/радиоприемных, сильных электрического поля или магнитного поля (вблизи электродвигателя или трансформатора), то могут возникать искажение изображений и звуковые помехи. В таком случае следует проложить кабель камеры по специальному кабелепроводу.

## Крепежные винты

Для фиксации настоящего прибора с помощью поставленного кронштейна для его монтажа предусмотрены только крепежные винты. Для монтажа прибора необходимо приобрести винты или болты. Винты или болты следует приобрести с учетом рода материала и прочности зоны, на которую монтируется прибор.

Винты и болты должны быть затянуты с оптимальным крутящим моментом, зависящим от рода материала и прочности зоны под монтаж. После затяжки винтов и болтов следует проверить внешним осмотром, достаточно ли они затянуты и нет ли люфта.

## Монтаж трубных проводок для кабелей

Если настоящий прибор эксплуатируется под открытым небом, то следует обязательно смонтировать соединительные трубы и проложить кабели по ним для защиты от замерзания или воздействия прямой солнечной радиации.

**Внимание:**

ПОДСОЕДИНИТЬ ТОЛЬКО К ИСТОЧНИКУ ПИТАНИЯ ПЕРЕМ. Т. 24 В ИЛИ ПОСТ. Т. 12 В КЛАССА 2. (WV-CW384)

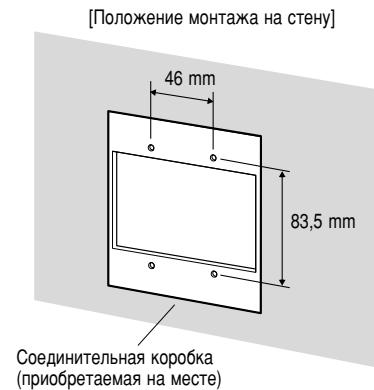
## ■ Подготовка

Камера может быть смонтирована любым из следующих двух методов.

- Монтаж камеры непосредственно на стену
- Монтаж камеры на стену через коробку для адаптера

**Примечание:**

- Винты, крепящие кронштейн для монтажа камеры к стене, не поставляются. Винты следует подготовить с учетом рода материала, конструкции, прочности и прочих факторов зоны под монтаж прибора, а также общей массы монтируемых объектов.

**Важно:**

- Крепежные винты следует подготовить с учетом рода материала зоны, на которую монтируется кронштейн для монтажа камеры. При этом не следует использовать деревянные винты и гвозди. Рекомендуемый крутящий момент при затяжке винта М4: 1,6 Н·м
- Требуемое сопротивление выдергиванию винта/болта составляет 196 Н или более.
- Если плита потолка, как гипсокартонная плита, слишком непрочна для выдерживания общей массы, то зона под монтаж должна быть достаточно укреплена.
- Используя поставленную коробку для адаптера, следует убедиться, что она не направлена сливными отверстиями вверх.

## ■ Монтаж камеры

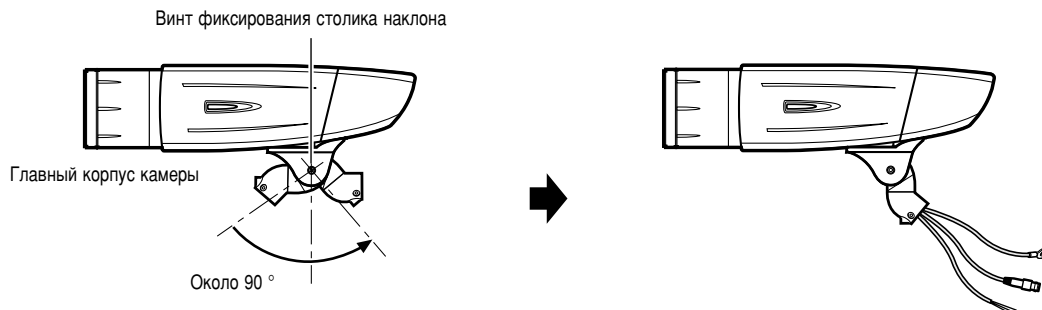
### 1 Устанавливают камеру на кронштейн для ее монтажа.

Угол наклона камеры фиксирован в положении, соответствующем наклону вниз, при отгрузке с завода.

1. Ослабив винт фиксирования столика наклона примерно 1 оборот, регулируют наклон камеры в горизонтальное положение.
2. После регулировки наклона снова затягивают винт фиксирования столика наклона.

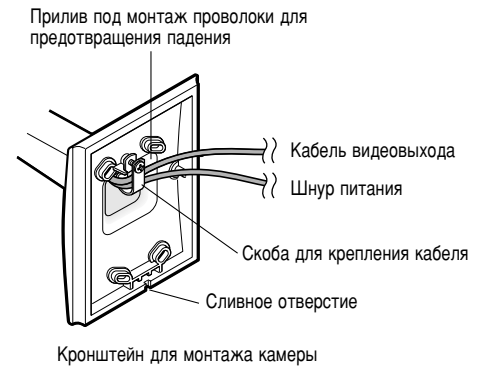
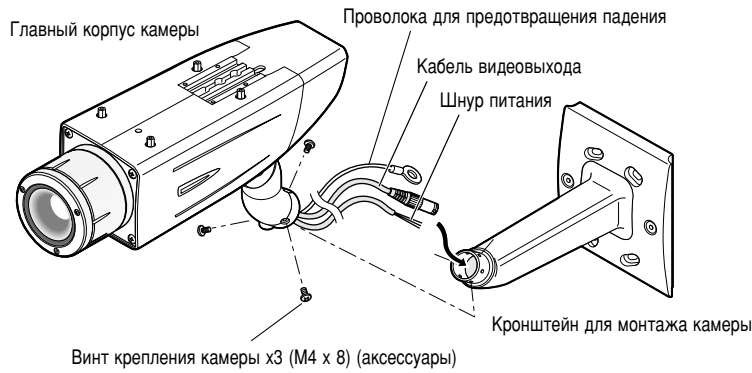
**Примечание:**

- Для ослабления и затяжки винта фиксирования столика наклона пользуются изогнутым ключом для деталей с шестигранным углублением размером под ключ 4 мм (приобретаемым на месте).



3. Пропускают кабель видеовыхода, шнур питания и проволоку для предотвращения падения по кронштейну для монтажа камеры со стороны камеры в сторону стены, затем скрепляют кабели и провода скобой для их крепления.

4. Закрепляют камеру на кронштейне для ее монтажа 3 винтами крепления камеры (аксессуары).



5. Сняв винт с прилива под монтаж проволоки для предотвращения падения на кронштейне для монтажа камеры, закрепляют проволоку для предотвращения падения винтом.

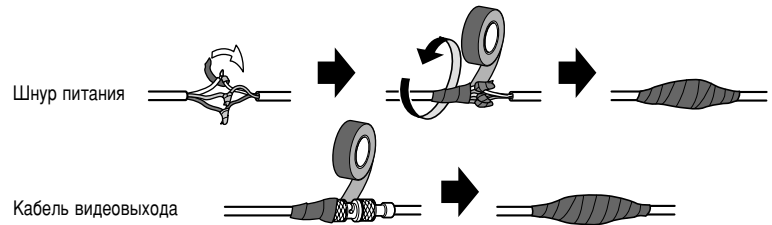
**Важно:**

- Убеждаются, что проволока для предотвращения падения плотно закреплена. Рекомендуемый крутящий момент при затяжке винта: 0,59 Н·м

**Важно:**

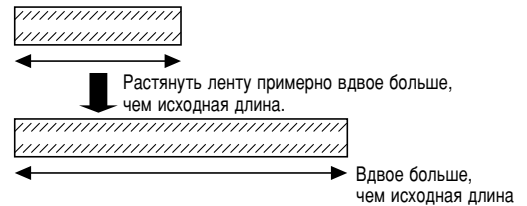
<Гидроизоляция>

- При монтаже настоящего прибора под открытым небом надо обязательно подвергнуть кабели гидроизоляции. Собственно камера, т.е. корпус камеры гидроизолирован, тогда как кронштейн для монтажа камеры и коробка для адаптера не выполнены в водонепроницаемом исполнении.
- При монтаже настоящего прибора под открытым небом следует обработать кронштейн для монтажа камеры, коробку для адаптера, отверстие для доступа кабелей, отверстия под винты и винты гидроизоляционным кремнийорганическим каучуком или т.п.
- При монтаже настоящего прибора на стену направляют кронштейн для монтажа камеры сливным отверстием вниз. Не следует перекрывать сливное отверстие. Не следует подвергать сливное отверстие гидроизоляции.
- Нужно обязательно наложить поставленную гидроизоляционную ленту на соединительные части шнура питания и кабеля видеовыхода для их гидроизоляции.



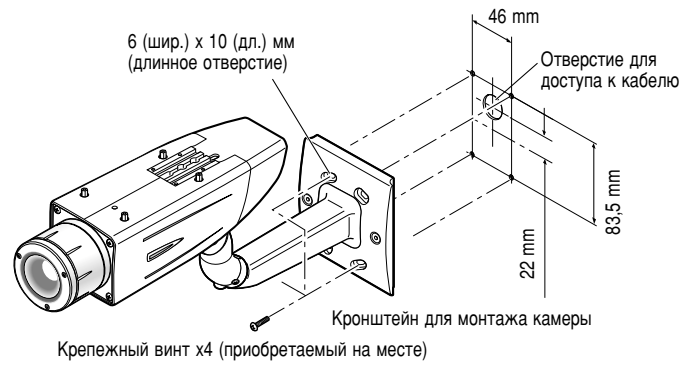
<Как накладывать поставленную гидроизоляционную ленту>

- Растягивают ленту примерно вдвое по сравнению с ее начальной длиной (см. рис. справа), затем накладывают ее на кабели. Недостаточное растяжение ленты приводит к недостаточной гидроизоляции.
- Ленту накладывают на кабель внахлестку, перекрывая на половину ширины ленты.

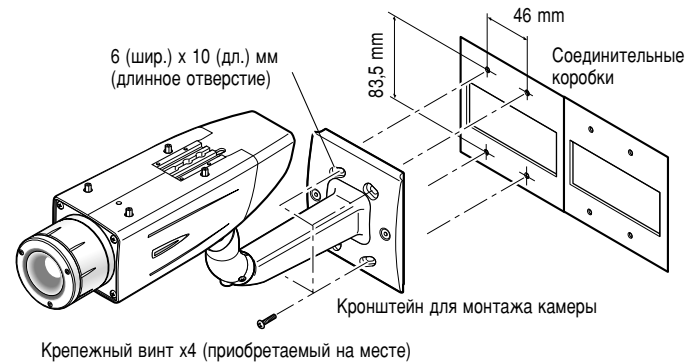


## 2 Закрепление кронштейна для монтажа камеры

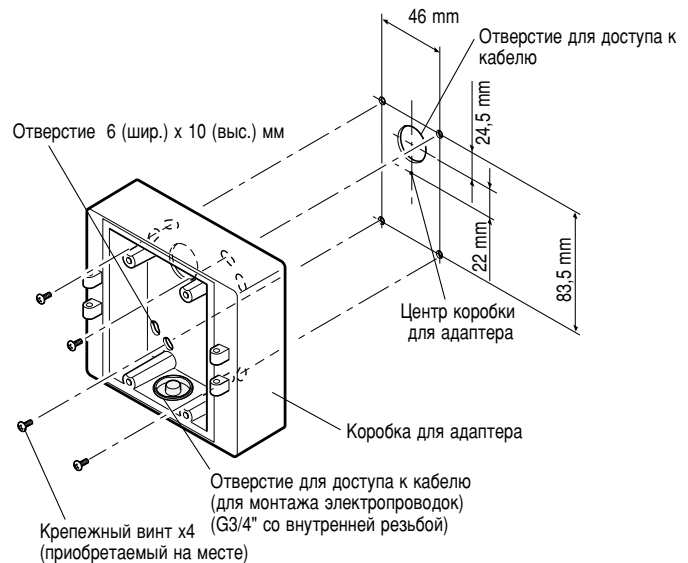
- При монтаже камеры непосредственно на стену 4 винтами (приобретаемыми на месте) закрепляют кронштейн для монтажа камеры к стене или соединительной коробке (приобретаемой на месте).



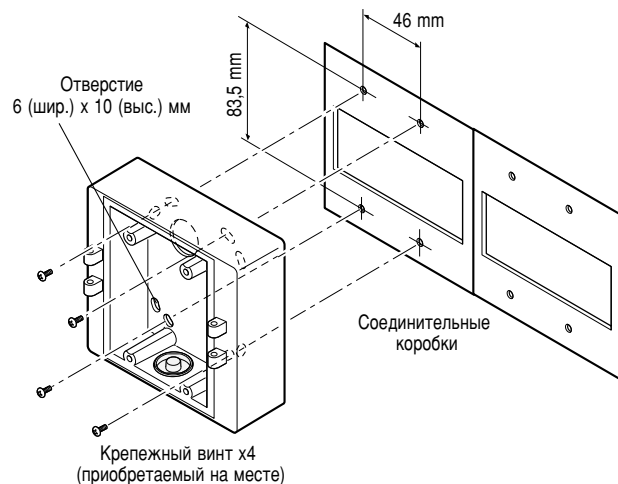
Если используется соединительная коробка, то рекомендуется размещать соединительные коробки бок о бок, как показано на рис. справа. (Для облегчения пропускания кабелей)



- При монтаже камеры на стену через коробку для адаптера 1. 4 винтами (приобретаемыми на месте) закрепляют коробку для адаптера к стене или соединительной коробке (приобретаемой на месте).

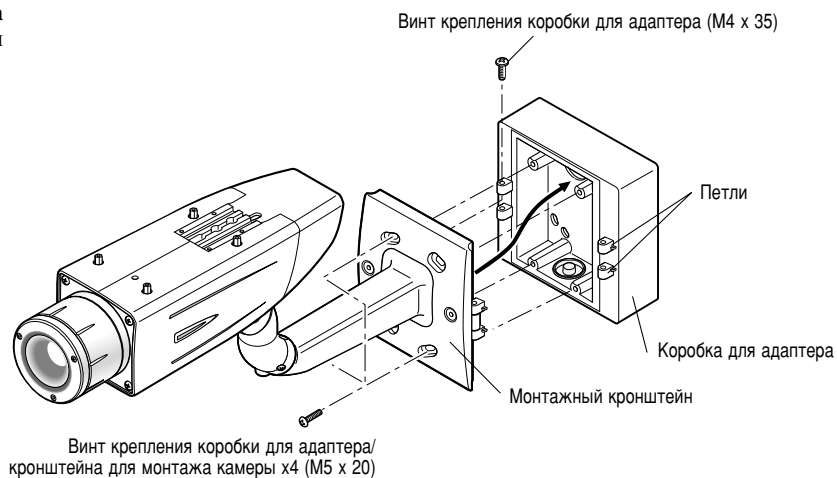


- Если используется соединительная коробка, то рекомендуется размещать соединительные коробки бок о бок, как показано на рис. справа. (Для облегчения пропускания кабелей)



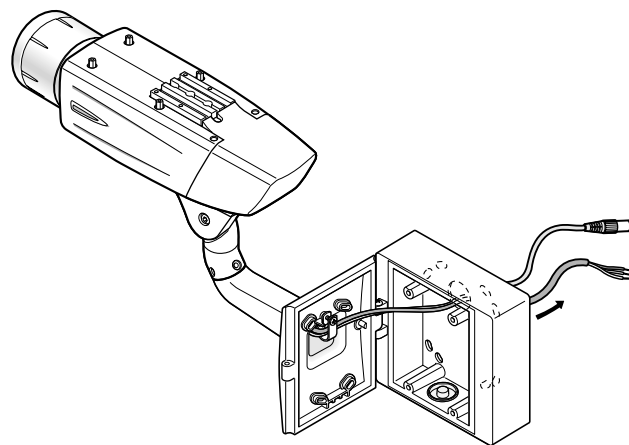


2. Прикрепляют кронштейн для монтажа камеры к левым или правым петлям коробки для адаптера.

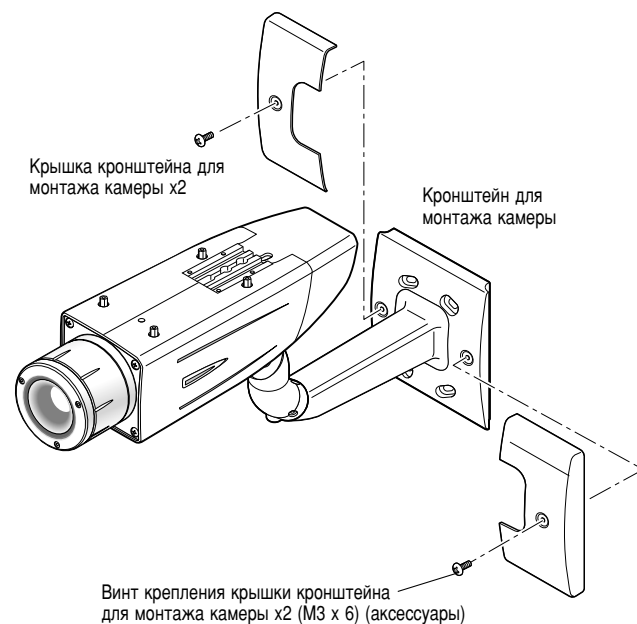


**Примечание:**

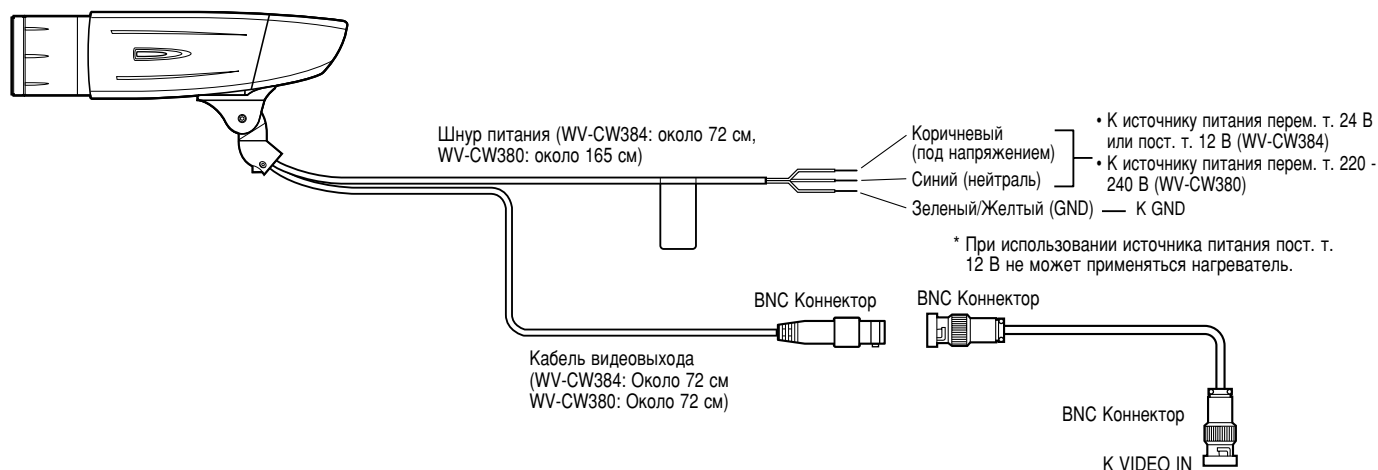
- Правые или левые петли коробки для адаптера следует выбрать с таким расчетом, чтобы при подсоединении кронштейна к петлям коробки для адаптера препятствия, такие как стена, не мешали кронштейну в движении.



**3** Закрепление крышек кронштейна для монтажа камеры к кронштейну 2 винтами крепления крышки кронштейна (аксессуары)



## 4 Монтаж электрических проводов



### Подсоединение коннектора видеовыходов

Коннектор видеовыходов подсоединяется к монитору или другим устройствам системы коаксиальным кабелем (приобретаемым на месте).

Максимальная длина кабеля показана в таблице.

Тип коаксиального кабеля	RG-59/U (3C-2V)	RG-6/U (5C-2V)	RG-11/U (7C-2V)	RG-15/U (10C-2V)	
Рекомендуемая максимальная длина кабеля	m	250	500	600	800

### Подсоединение шнура питания

#### Осторожно:

• Нижеуказанные электрические присоединения должны производиться квалифицированным персоналом по техобслуживанию и ремонту или монтажниками систем в соответствии с NEC 725-51.

#### • Расцветки и функции проводов Шнур питания камеры

<WV-CW384>

Расцветка проводов	24 В перем. т.	12 В пост. т.
Коричневый	24 В перем. т. (L)	Положительн.
Синий	24 В перем. т. (N)	Отрицательн.
Зеленый/Желтый	K GND	K GND

<WV-CW380>

Расцветка проводов	
Коричневый	Перем. т. 220 - 240 В (L)
Синий	Перем. т. 220 - 240 В (N)
Зеленый/Желтый	K GND

#### Внимание:

- При использовании источника питания перем. т. 24 В (WV-CW384) или перем. т. 220 В – 240 В (WV-CW380) надо обязательно соединить провод GND (заземляющий) камеры с клеммой заземления источника питания.
- Усадка сальника кабельного ввода является одновременной. Нельзя давать сальнику кабельного ввода усаживаться до тех пор, пока не будет подтверждено, что прибор функционирует.

- ПОДСОЕДИНИТЬ ТОЛЬКО К ИСТОЧНИКУ ПИТАНИЯ ПЕРЕМ. Т. 24 В ИЛИ ПОСТ. Т. 12 В КЛАССА 2.
- Для монтажа проводов входных клемм следует применять проводки UL VW-1 style 1007 во избежание пожара или поражения электрическим током.
- Не следует использовать трансформатор мощностью, превышающей 10 ВА.

### Длина шнура и сортамент проводов <WV-CW384>

24 В перем. т.

Для справки в таблице приведены рекомендуемая длина шнура и размер сортамента медных проводов.

Напряжение питания камеры должно быть в пределах от 19,5 В до 28 В перем. т.

Рекомендуемый сортамент проводов для линии перем. т. напряжением 24 В.

Размер медного провода (AWG)	#24 (0,22 мм <sup>2</sup> )	#22 (0,33 мм <sup>2</sup> )	#20 (0,52 мм <sup>2</sup> )	#18 (0,83 мм <sup>2</sup> )	
Длина проводок (приблизит.)	m	20	30	45	75

12 В пост. т.

Для справки в таблице приведены рекомендуемое сопротивление и размер сортамента медных проводов.

Напряжение питания камеры должно быть в пределах от 10,5 В до 16 В пост. т.

Сопротивление медного провода [при 20 °C]

Размер медного провода (AWG)	#24 (0,22 мм <sup>2</sup> )	#22 (0,33 мм <sup>2</sup> )	#20 (0,52 мм <sup>2</sup> )	#18 (0,83 мм <sup>2</sup> )	
Сопротивление (Ом/м)	m	0,078	0,050	0,03	0,018

"L", "R", "V<sub>A</sub>" и "I" должны удовлетворять неравенство, как показано ниже.

10,5 В пост. т.  $\leq V_A - 2(R \times I \times L) \leq 16$  В пост. т.

L: Длина шнура, м

R: Сопротивление медного провода, Ом/м

V<sub>A</sub>: Выходное напряжение пост. т. источника питания

I: Расход постоянного тока, А. См. техническую характеристику.

---

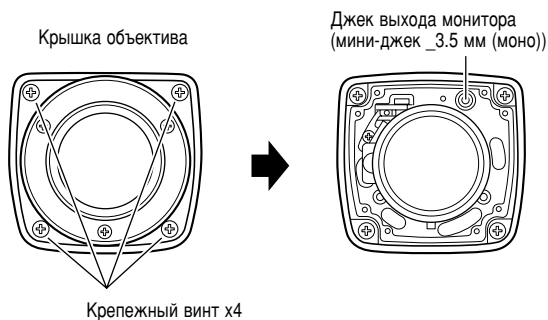
**Важно:**

- При использовании источника питания пост. т. 12 В не может применяться нагреватель.
- 

## 5 При регулировке камеры надо обязательно следить за монитором.

Подключив настоящий прибор к сети питания, подключают монитор для регулировки (например, малый светодиод) к джек выхода монитора, затем регулируют угол поля зрения камеры (после регулировки угла поля зрения отключают прибор от сети питания для безопасности).

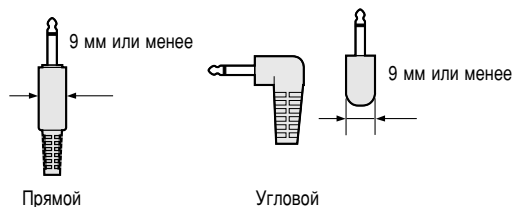
1. Ослабляют 4 винта крепления крышки объектива для ее снятия.
2. Подключают монитор для регулировки к джек выхода монитора.



---

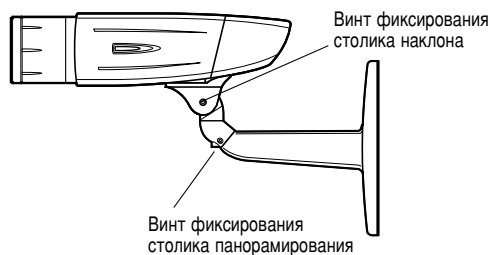
**Примечание:**

- Следует соблюдать требования к размеру джеков для монитора для регулировки, приведенные на рис. ниже.



3. Повторяют цикл операций по (1) и (2) для регулировки угла поля зрения камеры.

- (1) Ослабив винт фиксирования столика панорамирования, вращают головку камеры в горизонтальной плоскости для регулировки панорамирования.
- (2) Ослабив винт фиксирования столика наклона, вращают головку камеры в вертикальной плоскости для регулировки наклона.
- (3) По окончании регулировки угла поля зрения камеры затягивают винт фиксирования столика панорамирования и винт фиксирования столика наклона.



---

**Важно:**

- После регулировки угла поля зрения камеры винт фиксирования столика панорамирования и винт фиксирования столика наклона должны быть плотно затянуты.  
Рекомендуемый крутящий момент при затяжке винта: 2,45 Н·м
- 

---

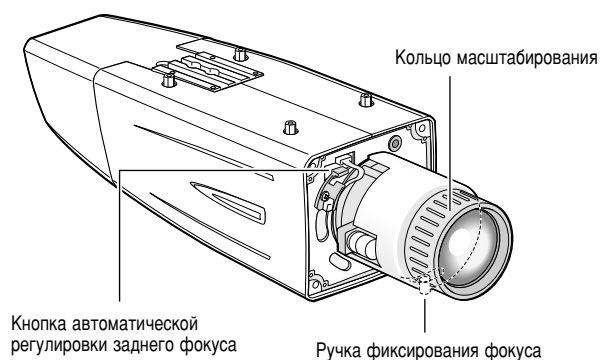
**Примечания:**

- Для ослабления или затяжки винта фиксирования столика панорамирования и винта фиксирования столика наклона пользуются изогнутым ключом для деталей с шестигранным углублением размером под ключ 4 мм (приобретаемым на месте).
  - Примерно один оборот винта фиксирования столика панорамирования и винта фиксирования столика наклона в сторону ослабления обеспечивает регулировку угла поля зрения камеры. Не следует ослаблять винты больше, чем надо.
  - При ослаблении винта фиксирования столика панорамирования или винта фиксирования столика наклона необходимо придерживать корпус камеры.
  - Регулировка фокуса (стр. 196) должна производиться при регулировке панорамирования и наклона.
-

## 6 Регулировка фокуса

Регулировка фокуса должна производиться при регулировке угла поля зрения камеры (☞ стр. 195).

1. Повторяют цикл операций по (1) и (2) для регулировки угла поля зрения и фокуса камеры.
  - (1) Вращением кольца масштабирования регулируют угол поля зрения между TELE и WIDE.
  - (2) Ослабив ручку фиксирования фокуса, выполняют грубую регулировку фокуса, затем затягивают ручку фиксирования фокуса.



2. После регулировки угла поля зрения нажимают кнопку автоматической регулировки заднего фокуса, следя за монитором для регулировки.  
→ В нижней части экрана отображается индикатор положения фокуса и задний фокус автоматически регулируется.



3. Для регулировки заднего фокуса после автоматической регулировки заднего фокуса пользуются операционными кнопками через меню установки. (☞ стр. 211)

### Примечания:

- Если никаких операций не выполняется в течение более 10 секунд, то индикатор положения фокуса автоматически гаснет.
- При изменении угла поля зрения путем вращения кольца масштабирования манипулируют также ручкой фиксирования фокуса для регулировки фокуса.

### <Как регулировать фокус>

- Если объектив с автодиафрагмой применяется для съемки объекта фотосъемки, то первоначально отрегулированный фокус может слегка изменяться в зависимости от состояния диафрагмы, обусловливаемого глубиной резкости объектива. В таком случае открывают апертуру, максимально затемняя объект таким же образом, что и при съемке, затем регулируют фокус. Возможно предотвратить дефокусировку.  
Применение "ABF" "BACK-FOCUS SETUP" в меню установки (☞ стр. 211) позволяет пользователю производить оптимальную регулировку фокуса в пределах возможности автоматического слежения за колебанием освещенности. (Примечание: Отрегулированная фокальная точка не всегда оказывается оптимальной при данной освещенности.)
- Уровень расфокусировки в ближней ИК-области может оказываться выше, чем в видимой области света.  
Установка "ЦВЕТ←→Ч/Б" "BACK-FOCUS SETUP" на "АВТО" или "ПРЕДУСТ" в меню установки позволяет пользователю регулировать фокус как в ближней ИК-области, так и в видимой области света. (Слежение за колебанием освещенности не производится после регулировки фокуса.)

### <Как пользоваться объективом с переменным фокусным расстоянием/трансфокатором>

- Сбрасывают положение заднего фокуса для восстановления его положения по умолчанию до регулировки заднего фокуса. (Нажимают одновременно кнопки вправо и влево из операционных кнопок и удерживают в нажатом положении более чем на 2 секунды, либо же, переместив курсор к "РУЧНАЯ-РЕГ." "BACK-FOCUS SETUP" в меню установки, нажимают одновременно кнопки вправо и влево и удерживают в нажатом положении более чем на 2 секунды после нажатия кнопки установки.)

### <Тонкая регулировка заднего фокуса через меню установки>

1. Ослабляют 1 винт крепления задней крышки для ее снятия.
2. Ослабляют 2 винта крепления крышки кнопочной станции для ее снятия.
3. Нажимают и удерживают кнопку установки в нажатом положении более чем на 2 секунды для вызова верхнего экрана меню установки. Затем регулируют задний фокус. Подробнее см. стр. 211.



## 7 Монтаж крышек

1. Устанавливают сиккатив (аксессуары) во внутренней нижней части крышки объектива.
2. Монтируют крышку объектива, крышку кнопочной станции и заднюю крышку.

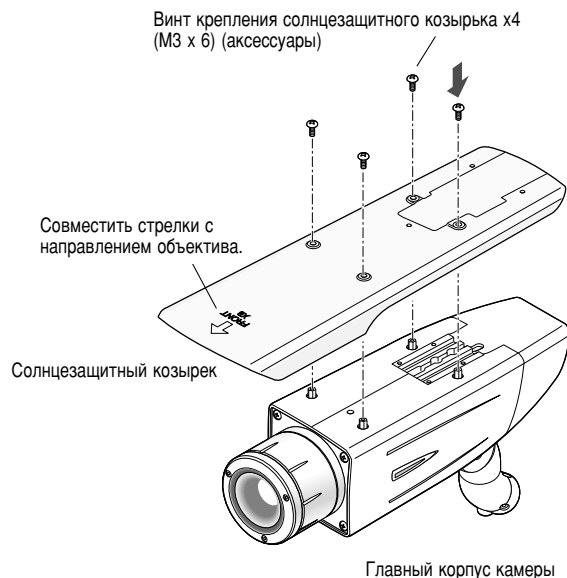


### Важно:

- Для затяжки 2 винтов крепления крышки кнопочной станции и 4 винтов крепления крышки объектива следует применять нижеуказанный крутящий момент.  
Рекомендуемый крутящий момент при затяжке винта: 0,59 Н·м
- Нужно обязательно установить сиккатив (аксессуары) на место. О порядке установки сиккатива см. инструкцию по эксплуатации сиккатива.
- Следует соблюдать последовательность затяжки 4 винтов крепления крышки объектива и повторять цикл операций по затяжке дважды, как показано на рис. выше.  
(1) → (2) → (3) → (4), дважды

## 8 Монтаж солнцезащитного козырька

Закрепляют солнцезащитный козырек на камере 4 винта крепления солнцезащитного козырька (аксессуары).

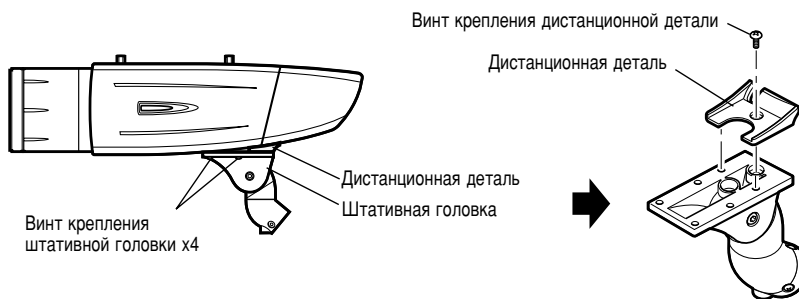


### Примечания:

- Надо обязательно использовать 4 винта крепления солнцезащитного козырька (аксессуары). Рекомендуемый крутящий момент при затяжке винта: 0,59 Н·м
- Сторона "FRONT" солнцезащитного козырька должна совпадать со стороной объектива.

## 9 При изменении поверхности монтажа на верхнюю поверхность корпуса камеры

1. Отвернув 4 винта, крепящие корпус камеры к штативной головке, снимают штативную головку.
2. Ослабив винт, крепящий дистанционную деталь к штативной головке, снимают дистанционную деталь.



3. Ослабив крепежный винт, снимают заднюю крышку.
4. Располагают камеру скобой для крепления кабеля сверху для пропускания кабеля видеовыхода и шнура питания сверху. Затем монтируют заднюю крышку.



5. Закрепляют штативную головку на верхней поверхности корпуса камеры 4 винтами крепления штативной головки, которые были сняты по п. 1.

### Важно:

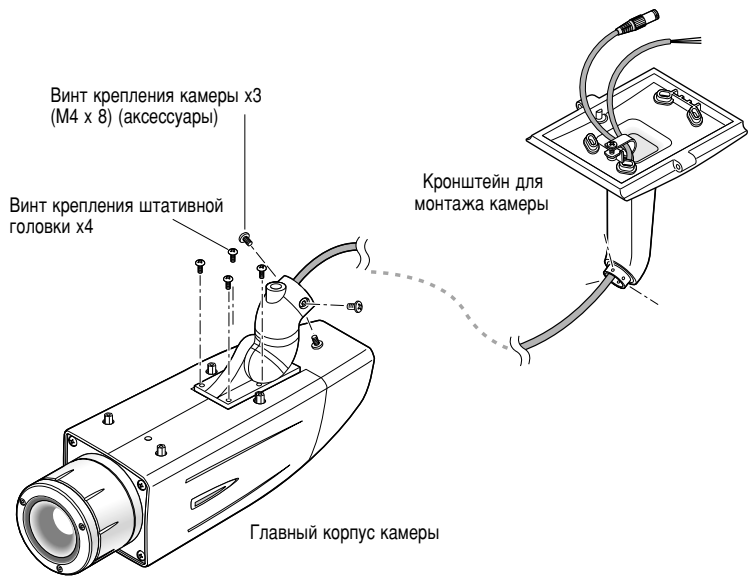
- Следует соблюдать большую осторожность, чтобы кабель видеовыхода и шнур питания не были прищемлены между корпусом камеры и штативной головкой.

6. Закрепляют камеру на кронштейне для ее монтажа 3 винтами крепления камеры (аксессуары).

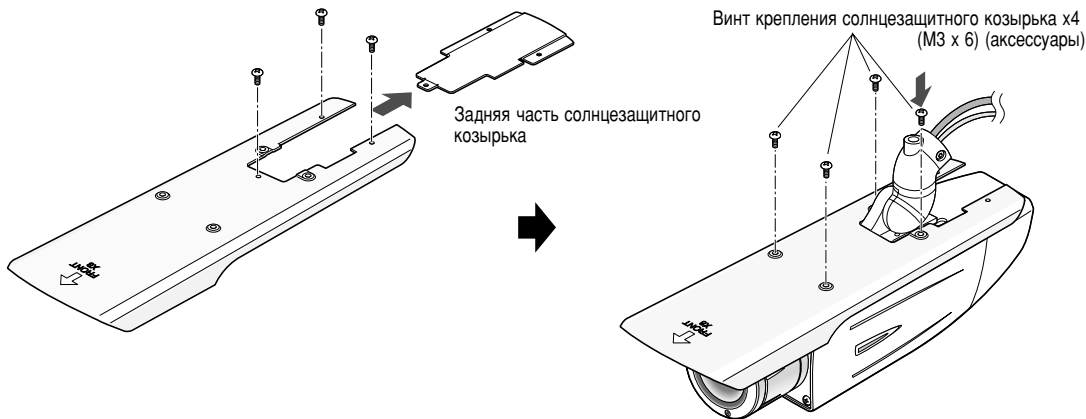
Пропускают кабель видеовыхода, шнур питания и проволоку для предотвращения падения по кронштейну для монтажа камеры, затем закрепляют проволоку к кронштейну для монтажа камеры.

**Важно:**

- Следует обязательно использовать винты, которые были сняты с штативной головки. Рекомендуемый крутящий момент при затяжке винта: 0,59 Н·м

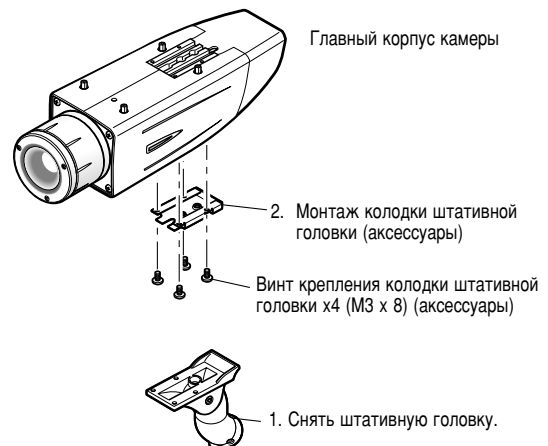


7. После снятия задней части солнцезащитного козырька закрепляют солнцезащитный козырек на корпусе камеры 4 винтами крепления солнцезащитного козырька (аксессуары).



**10 При использовании колодки штативной головки (аксессуары) (в случае применения иного кронштейна для монтажа камеры)**

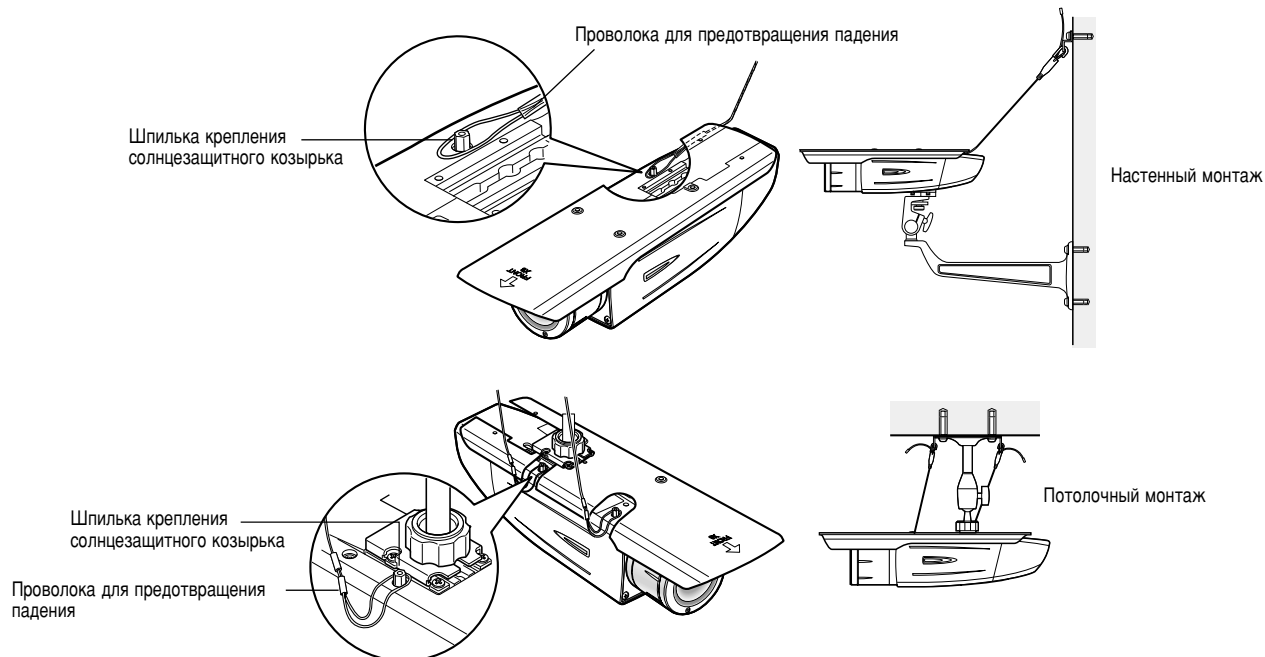
1. Отвернув 4 винта, крепящие корпус камеры к штативной головке, снимают штативную головку. Разобрав штативную головку, вытаскивают кабель видеовыхода и шнур питания.
2. Устанавливают колодку штативной головки (аксессуары) на место 4 винтами для ее крепления (аксессуары).



3. В зависимости от положения монтажа следует использовать проволоку (приобретаемую на месте) для предотвращения падения камеры.

	Кронштейн для монтажа камеры	Проволока для предотвращения падения
Для настенного монтажа	WV-831	WV-Q140
Для потолочного монтажа	WV-7010A	WV-Q141

4. Зацепляют конец (петлевую часть) проволоки для предотвращения падения за шпильку крепления солнцезащитного козырька, затем привинчивают солнцезащитный козырек для фиксации проволоки.



5. О дальнейшей последовательности установки см. инструкцию по эксплуатации проволоки для предотвращения падения.

**Важно:**

- Надо обязательно использовать 4 винта крепления колодки штативной головки (аксессуары).  
Использование винтов, имеющих несоответствующую длину, может привести к повреждению прибора.
- 4 винта, которые были сняты с штативной головки, не могут использоваться.
- Кронштейны для монтажа камеры WV-831 и WV-7010A и проволока для предотвращения падения WV-Q140 и WV-Q141 предназначены для применения в помещениях. При монтаже под открытым небом следует использовать кронштейн для монтажа камеры, входящий в стандартную комплектацию аксессуаров.



## О меню установки

Перед началом операций требуется установка (настройка) настоящей камеры. По меню установки можно проверить текущие заданные уставки и выполнить их задание так, чтобы они отвечали требованиям.

Ниже приведен пример порядка установки в том случае, когда "LANGUAGE" настроен на "РУССКИЙ".

### Задаваемые пункты на странице «УСТАНОВКА КАМЕРЫ»

Параметры установки	Описание	Относящиеся страницы
<b>КАМЕРА</b>	Конфигурирование уставок, относящихся к операциям с камерой.	
ID КАМЕРЫ	Имя камеры может быть отредактировано и отображено на экране.	203
ALC	Конфигурируют способ регулировки освещенности.	204
ЗАТВОР	Выбирают скорость вращения obturатора.	205
AGC	Выбирают способ регулировки усиления.	206
SENS UP	Регулируют чувствительность.	206
СИНХРОНИЗАЦИЯ	Конфигурируют способ синхронизации.	206
БАЛАНС БЕЛ	Выбирают способ регулировки баланса белого.	207
ДЕТЕКТ ДВИЖ	Конфигурируют уставки функции детектирования движения.	207
DNR	Конфигурируют уставки функции DNR (цифрового шумоподавления).	209
РАЗРЕШЕНИЕ	Выбирают режим разрешения по горизонтали.	209
ЧЁРНО-БЕЛЫЙ РЕЖИМ	Конфигурируют уставки, относящиеся к режиму ЧЁРНО-БЕЛЫЙ, такие как уставки переключения режима цвета с цветного на ЧЁРНО-БЕЛЫЙ и наоборот.	209
ЧАСТНАЯ ЗОНА	Возможно маскировать назначенную зону в качестве зоны прайвеси.	210
EL-ZOOM	Регулируют электронное масштабирование.	210
СТАБИЛИЗАТОР	Выбирают "ВКЛ" или "ВЫКЛ" для того, чтобы определить, применять ли стабилизатор изображения для предотвращения его трясок.	211
LED	Выполняют задание уставок светодиода.	211
<b>BACK-FOCUS</b>	Выбирают способ регулировки расстояния от фланца объектива до фокальной плоскости (заднего фокуса) и регулируют его ежеминутно.	211
<b>СПЕЦ.</b>		212
УСИЛ.ЦВЕТА	Регулируют уровень цветности (интенсивности цвета).	212
УСИЛЕНИЕ AP	Регулируют уровень апертуры.	212
ПЬЕДЕСТАЛ	Регулируют уровень черного (яркость).	212
PIX OFF	Корректируют дефектные элементы изображения (дефекты), такие как царапины.	212
СБРОС КАМЕРЫ	Сбрасывают заданные уставки по меню установки в уставки по умолчанию.	213
SER.NO.	Проверяют заводской номер настоящей камеры.	213
<b>LANGUAGE</b>	Выбирают язык для отображения меню установки.	203

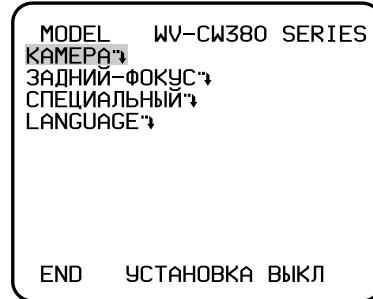
## ■ Основные операции

Ниже приведено описание порядка конфигурирования каждого задаваемому пункту (параметру) с помощью операционных кнопок (см. стр. 188) на камере. Возможно также производить установку с использованием опционного системного контроллера.

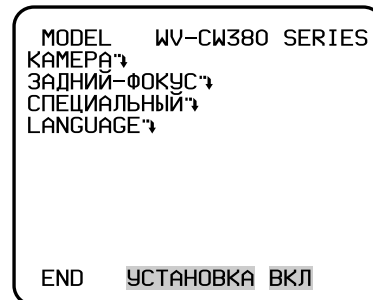
### Примечание:

- Иллюстрации относятся к примерам, отображаемым на видеомониторе.

1. Удерживают кнопку [SET] в нажатом положении примерно на 2 секунды.  
→ Представляется главная страница.

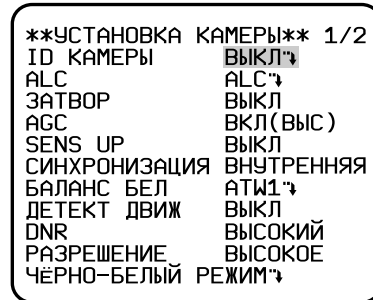


2. Перемещают курсор на "END" путем нажатия кнопки [UP] или [DOWN].

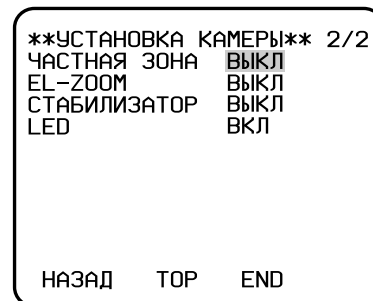


3. Нажимают кнопку [SET] после перемещения курсора на "УСТАНОВКА" путем нажатия кнопки [RIGHT].  
→ Отображение "ВЫКЛ" переключается на "ВКЛ" и становится возможным редактировать уставки.

4. Перемещают курсор на желаемый задаваемый пункт, затем нажимают кнопку [SET].  
→ Представляется страница для выбранного задаваемого пункта.



5. Конфигурируют уставки каждого пункта.  
**Выбрать задаваемый пункт:** Перемещают курсор путем нажатия кнопки [UP] или [DOWN].  
**Изменить параметр:** Нажимают кнопку [LEFT] или [RIGHT].  
**Отобразить страницу детальных уставок задаваемого пункта:** Нажимают кнопку [SET], когда выбран задаваемый пункт со знаком [↕].  
**Перейти обратно к предыдущей странице:** Перемещают курсор на "НАЗАД", затем нажимают кнопку [SET].  
**Перейти обратно к главной странице:** Перемещают курсор на "TOP", затем нажимают кнопку [SET].



6. Для выхода из меню УСТАНОВКА и отображения изображений с камеры перемещают курсор на "END", затем нажимают кнопку [SET].

### Примечания:

- При отображении главной страницы с камеры всегда представляется "ВЫКЛ" во избежание ошибочных операций. Для операции с меню УСТАНОВКА надо прежде всего переключить отображение "ВЫКЛ" на "ВКЛ".
- Положение курсора высвечивается.

# Порядок установки

Прежде выбирают язык для отображения меню и ID камеры.

## Установка языка (LANGUAGE SETUP)

1. По главному меню выбирают "LANGUAGE", затем нажимают кнопку [SET].  
→ Открывается меню "LANGUAGE SETUP".
2. Выбирают язык. Уставка по умолчанию - "РУССКИЙ".  
**Применимые языки:** ENGLISH, FRANBAIS, ESPADOL, DEUTSCH, ITALIANO, РУССКИЙ, CHINESE или JAPANESE
3. По меню выбирают "SET", затем нажимают кнопку [SET].



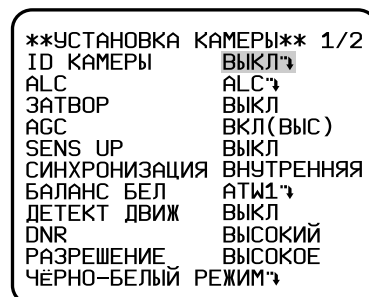
## 1. Установка идентификации камеры (ID КАМЕРЫ)

Камере присваивают имя с использованием до 16 знаков для его отображения с наложением на изображение, выдаваемое камерой, на выбранном месте.

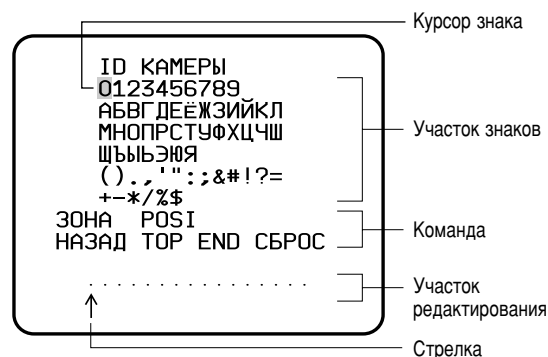
### Примечание:

- Если выбранный язык изменен после присваивания ID камеры, то он стирается.

1. По меню "УСТАНОВКА КАМЕРЫ" выбирают "ВКЛ" или "ВЫКЛ" для "ID КАМЕРЫ", а затем нажимают кнопку [SET].  
**ВКЛ:** Отображается введенный ID камеры.  
**ВЫКЛ:** ID не отображается.  
→ Открывается меню "ID КАМЕРЫ".
2. Из зоны знаков выбирают знак, а затем нажимают кнопку [SET].  
→ В зоне редактирования отображаются выбранные знаки.

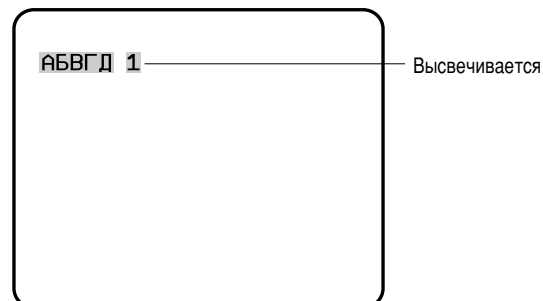


3. Цикл этих операций повторяют, пока все знаки не будут введены.
  - Для ввода пробела выбирают "ЗОНА", а затем нажимают кнопку [SET].
  - Для замены специального знака в зоне редактирования:
    1. Перемещают курсор к зоне редактирования, а затем смещают указатель мыши к заменяемому знаку путем нажатия кнопок [LEFT] и [RIGHT].
    2. Перемещают курсор к знаку кандидату в зоне знаков, а затем нажимают кнопку [SET].
  - Для стирания всех знаков ID камеры выбирают "СБРОС", а затем нажимают кнопку [SET].



### Примечание:

- В случае китайского языка можно ввести до 8 знаков.



4. Для установления положения отображения ID:
  1. Выбирают "POSI", а затем нажимают кнопку [SET].  
→ На экране высвечивается введенный ID камеры.
  2. Перемещают ID к соответствующему положению, а затем нажимают кнопку [SET].  
→ Определяется положение и экран переходит на меню "ID КАМЕРЫ".

**Примечание:**

- При необходимости в быстром перемещении ID камеры удерживают любую из кнопок [LEFT], [RIGHT], [UP] и [DOWN] в нажатом положении более чем на секунду.

## 2. Установка режима регулировки освещенности (ALC)

Выбирают режим регулировки освещенности в зависимости от типа смонтированного объектива.

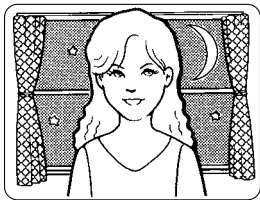
**ALC**↓: Применяется для объектива с автодиафрагмой. При выборе этого режима может применяться "SUPER-D3".

### 2-1. Режим ALC со включенной SUPER-D3

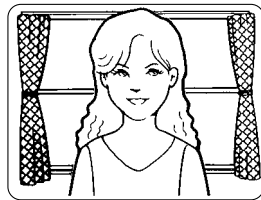
#### Функция Super Dynamic 3 (SUPER-D3)

На режиме SUPER-D3 большее значение с точки зрения фотометрии придается скорее середине экрана, чем краям изображения, где яркая встречная засветка склонна концентрироваться.

SUPER-D3 ВКЛ

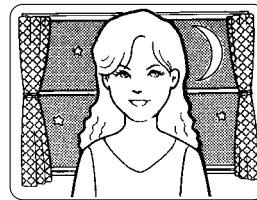


Ночное время

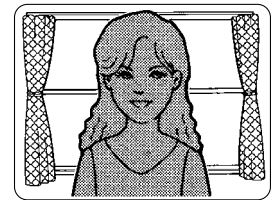


Дневное время

SUPER-D3 ВЫКЛ



Ночное время



Дневное время

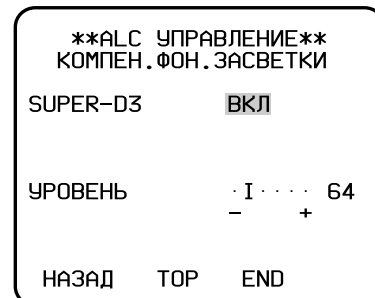
**SUPER-D3 ВКЛ:** Включается SUPER-D3 для автоматической компенсации встречной засветки.

**SUPER-D3 ВЫКЛ:** Возможна ручная установка для компенсации встречной засветки.

**Примечания:**

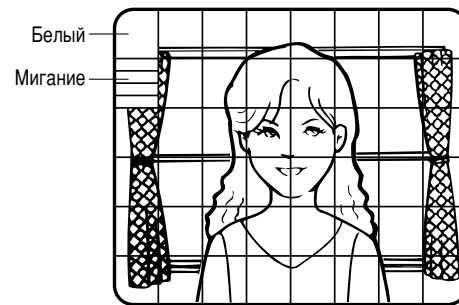
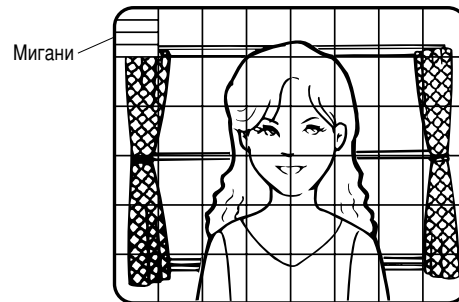
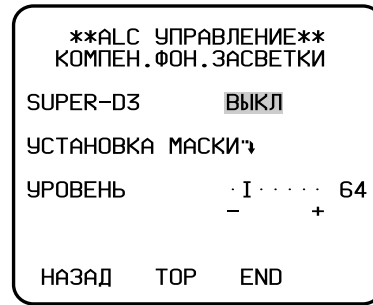
- Когда выбрано "ВКЛ", то возможные параметры "ЗАТВОР" и "SENS UP" ограничиваются такими, которые приведены на следующей странице.
- Когда отмечается шум в ярком участке, мерцания или обесцвечивание, то устанавливают "SUPER-D3" в положение "ВЫКЛ".

1. Перемещают курсор к "ALC", затем нажимают кнопку [SET].  
→ Открывается меню "ALC УПРАВЛЕНИЕ".
2. Включают "ВКЛ" для "SUPER-D3".
3. Регулируют уровень видеовыхода (УРОВЕНЬ), перемещая курсор "I". Лучше регулировать "УРОВЕНЬ" чуть высшим.



## 2-2. Режим ALC с отключенной SUPER-D3 ВЫКЛ

1. Перемещают курсор к "ALC" на меню "УСТАНОВКА КАМЕРЫ", затем выбирают "ВЫКЛ" для "SUPER-D3" на меню "ALC УПРАВЛЕНИЕ".  
→ На меню "ALC УПРАВЛЕНИЕ" появляется "УСТАНОВКА МАСКИ"↓.
2. Выбирают "УСТАНОВКА МАСКИ", а затем нажимают кнопку [SET].  
→ Появляются 48 участков маски, наложенные на изображение с камеры со свечением курсора мигающим светом в верхнем левом углу экрана.
3. Перемещают курсор к участку с яркой встречной засветкой, а затем нажимают кнопку [SET] для маскирования участка.  
→ Маскированный участок появляется поочередно белым и мигающим, когда курсор находится в участке, либо он становится белым, когда курсор находится в других участках.
4. Для отмены маскирования перемещают курсор к маскированному участку с последующим нажатием кнопки [SET].  
→ Когда маскирование участка отменено, то он меняет цвет с белого на нормальный.  
Для отмены всех масок нажимают кнопки одновременно кнопки [LEFT] и [RIGHT] более чем на 2 секунды.
5. При необходимости повторяют цикл операций по шагу 3 и шагу 4.
6. Нажимают и удерживают в нажатом положении кнопку [SET] более чем на 2 секунды.  
→ На экране появляется меню "ALC УПРАВЛЕНИЕ".
7. Регулируют уровень видеовыхода (УРОВЕНЬ), перемещая курсор "I".

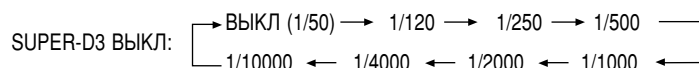


### Примечание:

- Если выбрано "ВКЛ" для "SUPER-D3", то на границе яркого и темного участков может появляться тень (черная линия). Это является естественным и не указывает на неисправность.

## 3. Установка скорости вращения obturator (ЗАТВОР)

Когда по меню "УСТАНОВКА КАМЕРЫ" выбрана "ALC", то выбирают правильную скорость вращения obturator. Когда выбрана повышенная скорость вращения obturator, то уменьшается размывание изображений при быстром движении объектов. Уставка по умолчанию - "ВЫКЛ".



### Примечания:

- Только "ВЫКЛ" может применяться, когда "SUPER-D3" установлена в положение "ВКЛ".
- Когда выбрана повышенная скорость вращения электронного obturator, то изображение, как правило, получается темнее, а иногда может появляться «тянучка» (вертикальные полосы, вызываемые яркими объектами).

## 4. Установка регулировки усиления (AGC)

Выбирают режим автоматической регулировки усиления. Эта установка позволяет повысить усиление и яркость изображения в условиях низкой освещенности. Уставка по умолчанию - "ВКЛ (ВЫС)".

**Применимые режимы:** ВКЛ (ВЫС), ВКЛ (СРЕД), ВКЛ (НИЗ), ВЫКЛ

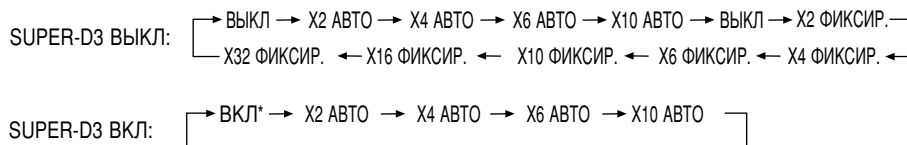
## 5. Электронное повышение чувствительности (SENS UP)

Когда камера настроена на режим ALC, то выбирают правильную степень повышения чувствительности. Чем большую степень выбирается, тем ярче становится изображение. Уставка по умолчанию - "ВЫКЛ".

**АВТО:** Устанавливает "AGC" в положение "ВКЛ" и адаптивно повышает чувствительность до выбранной кратности увеличения, например, в 10 раз, когда выбрано "X10 АВТО".

**ФИКСИР.:** Повышает чувствительность устойчиво до выбранной степени.

**ВЫКЛ:** Не повышает чувствительность.



\* Уставка

### Примечания:

- Некоторые типы системных контроллеров не могут управлять некоторыми из функций SENS UP. В таком случае следует пользоваться операционными кнопками на камере.
- Когда для "SENS UP" выбрано "АВТО", а для "SUPER-D3" - "ВКЛ", то функция "SENS UP" имеет приоритет, исключающий возможность автоматического включения функции SUPER-D3.
- Когда выбрана функция SENS UP, то при повышении чувствительности камеры могут появляться шум, пятна или белизна в изображении. Однако это является нормальным явлением.
- Выполнять регулировку АВF или выбирать "АВТО" для "ЦВЕТ  $\leftrightarrow$  Ч/Б" по меню "BACK-FOCUS SETUP" возможно только в том случае, когда для повышения чувствительности (SENS UP) выбрано "ВЫКЛ", "X2 ФИКСИР." или "X2 АВТО". Когда выбрано большее значение, чем "X2 ФИКСИР." или "X2 АВТО", то выбирают "ПРЕДУСТ" и "ФИКСИР." для "ЦВЕТ  $\leftrightarrow$  Ч/Б" по меню "BACK-FOCUS SETUP".

## 6. Установка синхронизации (СИНХРОНИЗАЦИЯ)

1. Выбирают режим синхронизации.

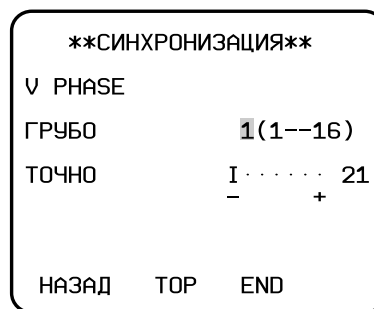
**VD2:** Мультиплексный ведущий импульс полевой развертки, высший приоритет

**СТРОЧНАЯ:** Синхронизация по сети, привязка к фазе питающего напряжения переменного тока, второстепенный приоритет

**ВНУТРЕННЯЯ:** Внутренняя синхронизация, низший приоритет

### Примечания:

- Когда к камере добавлен VD2, то не может производиться выбор. Когда добавлена соответствующая синхронизация, то возможно выбрать любой из типов синхронизации "СТРОЧНАЯ".
- Когда выбрано "СТРОЧНАЯ", то требуется регулировка фазы.



2. Фазовая подстройка частоты полей (кадров) Line-Lock (V PHASE)

- Выбирают "СТРОЧНАЯ", а затем нажимают кнопку [SET].
- Подготавливают двухлучевой электронный осциллограф, на который подают выходные видеосигналы камеры, подлежащей фазовой подстройке частоты, и эталонной (контрольной) камеры.
- Настраивают осциллограф на скорость синхронизации кадровой (полевой) развертки и расширяют зону синхронизации кадровой (полевой) развертки на осциллографе.
- Выбирают из 16 шагов (22,5 град/шаг) правильную фазу "ГРУБО", которая делает два видеосигнала на осциллографе наиболее близкими.

- Выбирают правильную фазу "ТОЧНО" так, чтобы два видеосигнала на осциллографе стали по возможности близкими.

**Примечания:**

- При перемещении курсора "I" по концам +/- смещается диапазон "ТОЧНО".
- Gleichzeitiges Drücken der [RIGHT]- und [LEFT]-Tasten setzt "V-PHASE" auf die Vorgabe zurück (0 Grad).
- При необходимости в более быстром перемещении курсора "I" удерживают кнопки [LEFT] и [RIGHT] в нажатом положении на секунду.
- Если сеть перем. т. содержит импульсную помеху, то она может нарушить синхронизацию "СТРОЧНАЯ".

## 7. Установка баланса белого (БАЛАНС БЕЛ)

По меню "УСТАНОВКА КАМЕРЫ" выбирают режим "БАЛАНС БЕЛ". Уставка по умолчанию - "ATW1".

**ATW1:** Автоматически адаптируется к цветовой температуре 2 700 К - 6 000 К.

**ATW2:** Автоматически адаптируется к применению натриевых ламп (2 000 К - 6 000 К).

**AWC:** Автоматически адаптируется к цветовой температуре 2 000 К - 10 000 К.

**Примечания:**

- Когда выбрано "ATW1" или "ATW2", то никакой дальнейшей операции не требуется.
- "ATW1" и "ATW2" не появляются в меню установки системного контроллера.
- Выбирают "AWC" в следующих случаях: когда цветовая температура вышла за пределы от 2 000 К - 6 000 К, когда объект передачи обычно содержит высокие цветовые температуры, такие как голубое небо или закат, либо же когда объект передачи темный.
- Когда выбрано "AWC", то требуется выполнение установки "AWC".

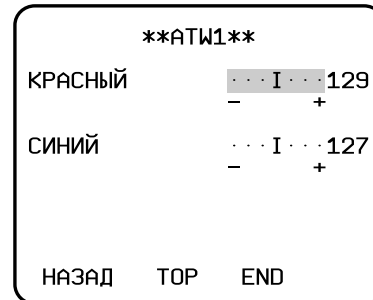
### Установка AWC

1. Выбирают "AWC", а затем нажимают кнопку [LEFT].  
→ "AWC" заменяется "AWC → PUSH SW".
2. Нажимают кнопку [SET].  
→ "PUSH SW" высвечивается, пока установка "AWC" выполняется.

**Примечание:**

- Если баланс белого не устанавливается, то "PUSH SW" остается светящимся.

3. Нажимают кнопку [RIGHT].



### Ручная тонкая регулировка

По мере надобности выполняют тонкую регулировку.

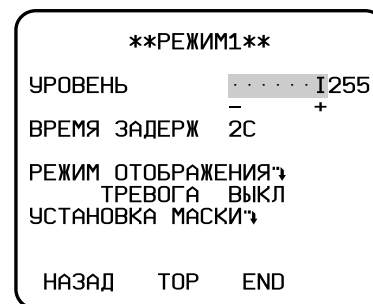
1. Выбирают "БАЛАНС БЕЛ", а затем нажимают кнопку [SET].  
→ Открывается меню тонкой регулировки ATW или AWC.
2. Выполняют тонкую регулировку усиления "R" (красного) и "B" (синего), перемещая курсор "I".

## 8. Установка детектирования движения (ДЕТЕКТ ДВИЖ)

При обнаружении ряда изменений в изображениях камера выдает сигнал тревоги на внешнее устройство, такое как дисковый рекордер. Рекордер начинает запись изображений.

1. По меню "УСТАНОВКА КАМЕРЫ" выбирают режим "ДЕТЕКТ ДВИЖ".  
Уставка по умолчанию - "ВЫКЛ".  
**ВЫКЛ:** Отключает выход тревоги.  
**РЕЖИМ1:** Выдает тревогу при обнаружении ряда движений.  
**РЕЖИМ2:** Выдает тревогу при обнаружении ряда изменений объекта передачи.  
→ Меню "РЕЖИМ1" открывается при выборе "РЕЖИМ1" и последующем нажатии кнопки [SET].

2. Регулируют "УРОВЕНЬ" для оптимизации чувствительности по обнаружению.



3. Выбирают время пребывания (наблюдения). Уставка по умолчанию - "2С".

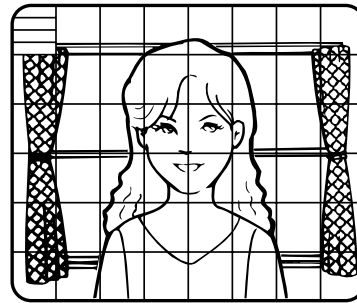
**Возможное время (в секундах):** 2, 5, 10, 30

По истечении заданной выдержки времени осуществляется следующее по ходу обнаружение.

4. Выбирают "УСТАНОВКА МАСКИ", а затем нажимают кнопку [SET].

→ Открывается 48-сегментный экран.

- Устанавливают недетектируемые (маскируемые) и детектируемые участки таким же путем, что и излагалось ранее в 2-2 «Режим ALC». (см. стр. 205)
- Нажимают и удерживают в нажатом положении кнопку [SET] в течение 2 секунд для возврата к меню "РЕЖИМ1".



---

**Примечание:**

- После установки "СТАБИЛИЗАТОР" в меню "УСТАНОВКА КАМЕРЫ" на "ВЫКЛ" выполняют задание маскируемого участка.

- 
5. Выбирают "ВКЛ" или "ВЫКЛ" для "ТРЕВОГА" на режиме "РЕЖИМ ОТОБРАЖЕНИЯ".

**ВКЛ:** Выдает тревогу

**ВЫКЛ:** Не выдает тревогу. Это может выполняться, когда любой из нижеприведенных контроллеров, применен: WV-RM70, серия WV-CU550, WV-CU161, WV-CU360, WV-CU650, WV-CU850, WV-CU950

6. Для проверки текущих уставок выбирают "РЕЖИМ ОТОБРАЖЕНИЯ", а затем нажимают кнопку [SET].

При обнаружении движения участок загорается мигающим светом.

- Для возврата к меню "РЕЖИМ1" нажимают кнопку [SET].

7. При необходимости повторяют цикл операций по регулировке "УРОВЕНЬ" и установке "УСТАНОВКА МАСКИ", следя за отображением на экране "РЕЖИМ ОТОБРАЖЕНИЯ".

---

**Важно:**

- В системах, иных, чем «Панасоник», выбирают "ВЫКЛ" для "ДЕТЕКТ ДВИЖ" для предохранения системных устройств от перепутывания сигнала временного кода и сигнала тревоги.
- Задают "УСТАНОВКА МАСКИ" на участки, где листья или занавески и т.п. качаются.
- В условиях низкой освещенности регулируют уровень обнаружения с целью предотвратить перепутывание движения и шума.
- Для поступления сигнала тревоги на терминал тревоги видеоманитофонов после ее обнаружения требуется около 0,2 сек.
- Обнаружение изменения движения/объекта передачи не специально предназначено для предотвращения угона, кражи или пожара.

---

**Детектор движения**

Детектор движения разделяет экран на 48 блоков и мониторы изменяют яркость в каждом блоке. Когда он детектирует любое изменение (движение) в изображении, то он выдает сигнал тревоги. При детектировании изменения (движения) в изображении в автоматическом режиме сигнал тревоги выдается и камера останавливается в предустановленном положении на заданное время.

**Режим демонстрационного экрана**

Режим демонстрационного экрана разделяет экран на 48 блоков и мониторы изменяют яркость в каждом блоке. Он также маскирует любую часть изображения, где возникает изменение средней яркости, превышающей уровень чувствительности по текущему заданному детектированию. Результаты в режиме демонстрационного экрана могут использоваться для определения оптимального уровня чувствительности по детектированию (шаг 2) и зон экрана, нуждающихся в маскировании (шаг 4).

**О режиме РЕЖИМ2 детектирования движения**

Камера детектирует изменение объекта передачи в следующих случаях.

Когда объектив полностью покрыт тканью, крышкой или т.п.

Когда направление камеры внезапно изменено

---

**Важно:**

- Камера не детектирует изменение объекта передачи в следующих случаях.
  - Когда ткань с рисунками покрывает объектив и трясется от ветра
  - Когда некоторые участки экрана не завуалированы
  - Когда экраны не отличаются по картинам объекта передачи даже при изменении направления камеры
- Камера ошибочно детектирует изменение объекта передачи в следующих случаях.
  - Когда возникло явное изменение яркости (например, Вкл./Откл. лампочек)
  - Когда объекты постоянно движутся, как и на улицах с большим движением



## 9. Установка цифрового шумоподавления (DNR)

Выбирают режим "DNR", подходящий для условий места монтажа камеры. Уставка по умолчанию - "ВЫСОКИЙ".

**ВЫСОКИЙ:** Значительно подавляет шум, хотя создаются остаточные изображения при движении объектов.

**НИЗКИЙ:** Слегка подавляет шум, создавая меньше остаточных изображений.

## 10. Установка разрешения (РАЗРЕШЕНИЕ)

Выбирают режим разрешения по горизонтали. Уставка по умолчанию - "ВЫСОКИЙ".

**НОРМАЛЬНОЕ:** Разрешение не менее 480 ТВ-линий.

**ВЫСОКИЙ:** Обычно дает разрешение 540 ТВ-линий, хотя шум может усиливаться при включении "SENS UP" в условиях низкой освещенности.

## 11. Установка черно-белого режима (ЧЁРНО-БЕЛЫЙ РЕЖИМ)

1. По меню "УСТАНОВКА КАМЕРЫ" выбирают "ЧЁРНО-БЕЛЫЙ РЕЖИМ", затем нажимают кнопку [SET].  
→ Открывается меню "ЧЁРНО-БЕЛЫЙ" РЕЖИМ.

2. Выбирают режим "ЧЁРНО-БЕЛЫЙ". Уставка по умолчанию - "ВЫКЛ".  
→ Когда выбрано "АВТО1" или "АВТО2", то появляются "УРОВЕНЬ" и "ДЛИТЕЛЬНОСТЬ".

**АВТО1:** Если изображение темное, настраивают режим на черно-белый, а если изображение достаточно яркое, - на цветной.

**АВТО2:** Функции аналогичны функциям в режиме "АВТО1" с той лишь разницей, что этот режим применяется при использовании ближнего ИК-излучения. (длина волн  $\geq 800$  нм).

**ВКЛ:** Настраивает режим на черно-белый.

**ВЫКЛ:** Настраивает режим на цветной.

### Примечания:

- Может встречаться случай, когда "АВТО1" или "АВТО2" не функционирует хорошо, если камера направлена на субъекты, постоянно движущиеся, либо одноцветный объект передачи, как голубое небо.
- Возможно осуществлять установку режима заднего фокуса для компенсации дефокусировки, которая склонна возникать при автоматическом переключении камеры между цветным и черно-белым режимами. Подробнее см. «Установка заднего фокуса» на стр. 211.

3. Для переключения между цветным и черно-белым режимами выбирают пороговый "УРОВЕНЬ". Уставка по умолчанию - "ВЫСОКИЙ".

**ВЫСОКИЙ:** Режим переключается при освещенности около 5 лк.

**НИЗКИЙ:** Режим переключается при освещенности около 1 лк.

4. Для того, чтобы определить, переключить ли режим или нет, выбирают время пребывания (наблюдения). Уставка по умолчанию - 30 секунд.

**Возможное время:** (Короткое) 10 сек ↔ 30 сек ↔ 60 сек ↔ 300 сек (Длительное)

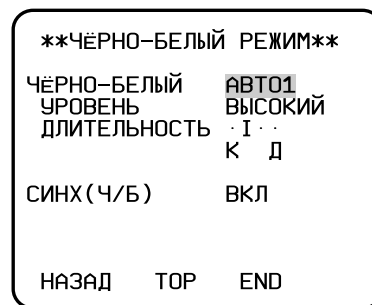
5. Выбирают режим сигнала цветовой синхронизации (импульсного сигнала). Уставка по умолчанию - "ВКЛ".

**ВКЛ:** Подает сигнал цветовой синхронизации (импульсный сигнал) с полным монохромным видеосигналом.

**ВЫКЛ:** Не подает сигнал цветовой синхронизации (импульсный сигнал).

### Примечание:

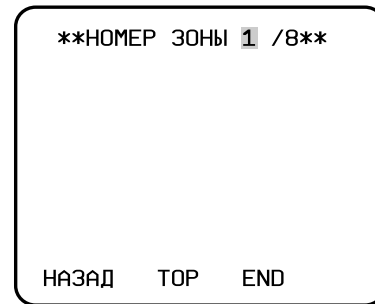
- Рекомендуется обычно применять "ВКЛ". Следует стараться применить "ВКЛ" и "ВЫКЛ" для совмещения с подсоединенными устройствами (рекордерами, мониторами и пр.), имеющими разные характеристики.



## 12. Установка зоны прайвеси (ЧАСТНАЯЗОНА)

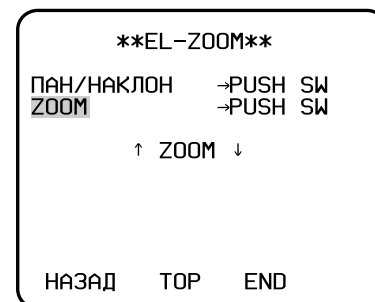
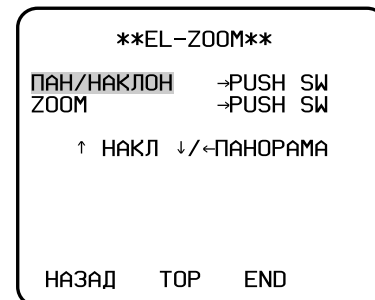
Можно задать до 8 зон прайвеси, которые желательно завуалировать на экране монитора.

1. Выбирают "ВКЛ(1)", "ВКЛ(2)" или "ВЫКЛ" для "ЧАСТНАЯЗОНА" на стр. 2 меню "УСТАНОВКА КАМЕРЫ", а затем нажимают кнопку [SET]. Уставка по умолчанию - "ВЫКЛ".  
**ВКЛ (1):** Вуалирует зону в сером цвете.  
**ВКЛ (2):** Вуалирует зону в мозаичном виде.  
**ВЫКЛ:** Отображает изображения нормально.  
→ Открывается меню выбора "НОМЕР ЗОНЫ".
2. Кнопками [LEFT] и [RIGHT] выбирают номер зоны в верхней строке, затем нажимают кнопку [SET]. Номер зоны со звездочкой \* указывает, что регистрация уже завершена.  
→ В меню появляются "ПОЛОЖЕНИЕ", "ГРАДАЦИЯ" и рамка.
3. Выбирают "→PUSH SW" для "ПОЛОЖЕНИЕ", затем нажимают кнопку [SET].  
→ Возможно выбрать положение.
4. Кнопками [LEFT], [RIGHT], [UP] и [DOWN] перемещают участок изображения, подлежащий вуалированию, к середине рамки.
5. Выбирают "→PUSH SW" для "ГРАДАЦИЯ", затем нажимают кнопку [SET].  
→ Возможно отрегулировать масштаб зоны.
6. Кнопками [LEFT], [RIGHT], [UP] и [DOWN] регулируют масштаб зоны.
7. Для фиксирования уставок перемещают курсор к "УСТАН", затем нажимают кнопку [SET].  
→ Экран переходит обратно на меню выбора "НОМЕР ЗОНЫ".  
Для удаления уставок выбирают "УДАЛИТЬ", затем нажимают кнопку [SET].



## 13. Электронное масштабирование (EL-ZOOM)

1. Перемещают курсор к "EL-ZOOM".
2. Нажатием кнопок [LEFT] и [RIGHT] выбирают "ВКЛ" или "ВЫКЛ". Уставка по умолчанию - "ВЫКЛ".  
**ВКЛ:** 2-кратное электронное масштабирование может осуществляться с помощью переключателя ZOOM, имеющегося на контроллере.  
**ВЫКЛ:** Функция электронного масштабирования не может быть включена.
3. Пока курсор находится на "EL-ZOOM", нажимают кнопку [SET]. Появляется меню "EL-ZOOM".
4. Перемещают курсор к "→PUSH SW" для "ZOOM", затем нажимают кнопку [SET] для отображения меню установки "ZOOM".
5. Для наезда на изображение или отъезда от него нажимают кнопку [UP] или [DOWN].
6. Перемещают курсор к "→PUSH SW" для "ПАН/НАКЛОН", затем нажимают кнопку [SET]. Появляется меню установки "ПАН/НАКЛОН".
7. Для изменения углового поля зрения нажимают кнопку [LEFT], [RIGHT], [UP] или [DOWN].
8. Для возврата к меню "EL-ZOOM" нажимают кнопку [SET].



## 14. Автоматический стабилизатор изображения (СТАБИЛИЗАТОР)

Эта функция осуществляет электронную компенсацию неустойчивости изображения с камеры, возникающей вследствие движения монтажного столба или кронштейна. Уставка по умолчанию - "ВЫКЛ".

**ВКЛ:** Автоматически компенсирует неустойчивость изображения.

**ВЫКЛ:** Стабилизатор изображения не работает.

### Важно:

- Когда выбрано "ВКЛ", то некоторые эффективные элементы изображения в пикселях по краю ПЗС используются для функции стабилизации. Это может привести к незначительному уменьшению разрешения и угла поля зрения. После включения функции стабилизации изображения проверяют правильность поля зрения.
- Стабилизатор изображения не может функционировать, когда происходит чрезмерное движение камеры, либо когда освещенность объекта передачи низкая или контрастность объектов слабая.

## 15. Установка светодиода (LED)

Выбирается "ВКЛ" или "ВЫКЛ" для того, чтобы определить, применять ли светодиод, расположенный сбоку на настоящем приборе, или нет. Уставка по умолчанию - "ВКЛ".

**ВКЛ:** Светодиод загорается мигающим светом, когда функция детектирования движения (стр. 207) детектирует изменение в изображении. Загорается ровным светом во всех случаях, кроме вышеуказанного.

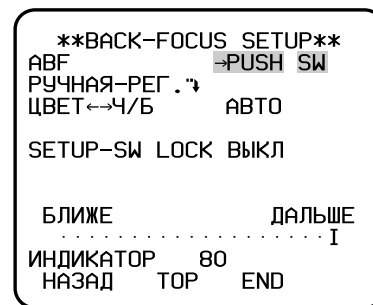
**ВЫКЛ:** Удерживает светодиод в несветящемся состоянии.

## 16. Установка заднего фокуса (BACK-FOCUS SETUP)

Выполняют регулировку заднего фокуса (расстояния от фланца объектива до фокальной плоскости) дистанционно по этому меню с помощью системного контроллера. После монтажа, если возникает дефокусировка, которая может быть вызвана длительной эксплуатацией, изменениями окружающих условий и др, можно выполнить данную регулировку.

### Важно:

- Нельзя применять функцию ABF непрерывно или многократно (например, для автофокусировки и др.). Эта функция применяется для корректировки дефокусировки, вызываемой переключением между цветным и черно-белым режимами при/после монтажа камеры.



1. По меню выбирают "ЗАДНИЙ-ФОКУС", затем нажимают кнопку [SET].  
→ Открывается меню "BACK-FOCUS SETUP".
2. Выбирают "ABF", а затем нажимают кнопку [SET].  
→ Автоматически происходит регулировка.

### Примечания:

- ABF функционирует для обеспечения наилучшего фокуса вокруг срединных участков объекта передачи.
- ABF доступна только в том случае, когда для "SENS UP" выбрано "ВЫКЛ", "X2 АВТО" или "X2 ФИКСИР".
- Применение функции ABF в условиях низкой освещенности может повлечь за собой шум.

3. Если требуется ручная регулировка, то выбирают "РУЧНАЯ-РЕГ.", затем нажимают кнопку [SET].  
Открывается экран ручной регулировки заднего фокуса.
- Для перемещения курсора "I" и получения правильного фокуса пользуется кнопкой [LEFT] или [RIGHT].  
→ См. 4-значное число во второй снизу строке. Чем больше это число, тем лучший фокус получается.
- Для возврата к меню установки выбирают "НАЗАД", затем нажимают кнопку [SET].
4. Выбирают режим для "ЦВЕТ←→Ч/Б". Уставка по умолчанию - "АВТО".

**АВТО:** Автоматически регулирует задний фокус при каждом переключении камерой цветного режима на черно-белый или наоборот. "АВТО" может применяться только в том случае, когда для "SENS UP" выбрано "ВЫКЛ", "X2 АВТО" или "X2 ФИКСИР".

**ПРЕДУСТ:** Регулирует задний фокус на положения цветного режима и черно-белого режима, предварительно заданные при выполнении шага 2 (автомат.) или шага 3 (руч.) в соответствующих условиях освещенности.

**ФИКСИР.:** Фиксирует задний фокус после регулировки.

5. Выбирают "ВКЛ" или "ВЫКЛ" для "SETUP-SW LOCK". Уставка по умолчанию - "ВЫКЛ".  
**ВЫКЛ:** Позволяет кнопке [SET] открывать экран регулировки заднего фокуса на время отображения изображения с камеры.  
**ВКЛ:** Не позволяет кнопке [SET] открывать экран регулировки заднего фокуса.
6. Для сброса заднего фокуса в уставку по умолчанию нажимают одновременно кнопки [LEFT] и [RIGHT].

**Важно:**

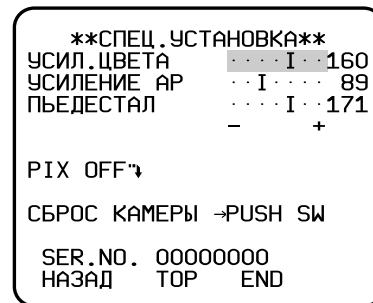
- Выбирают "ФИКСИР." или "ПРЕДУСТ" и производят ручную регулировку заднего фокуса, когда автоматическая регулировка не может осуществляться в следующих условиях.
  1. Грязь или капля воды прилипли к стеклу окна  
 Это вызывает дефокусировку на объекте, выходящем за пределы стекла.
  2. Объекты слабоосвещены
  3. Объекты слишком яркие
  4. Объекты слабой контрастности, такие как белая стена или мелкоструктурный войлок
  5. Объекты, размещенные по периферии объекта передачи
  6. Два и более объекта размещены на определенную глубину
  7. Объект, имеющий определенную глубину
  8. Постоянно движущиеся объекты, такие как улицы с большим движением
  9. Интенсивно мерцающие объекты
  10. Объекты, состоящие из параллельных горизонтальных линий, такие как шторы, навес и т.п.
- «Панасоник Корпорэйшн» не несет ответственности за неудобство, повреждение или убыток, вызываемые или причиняемые неправильным заданием уставок функции ABF.

## 17. Специальное меню (СПЕЦ.УСТАНОВКА)

По главному меню выбирают "СПЕЦИАЛЬНЫЙ", затем нажимают кнопку [SET].  
 → Открывается меню "СПЕЦ.УСТАНОВКА".

### 17-1. Установка уровня сигнала цветности (УСИЛ.ЦВЕТА)

Для регулирования уровня сигнала цветности перемещают курсор "I".



### 17-2. Установка уровня апертуры (УСИЛЕНИЕ AP)

Для регулирования уровня апертуры перемещают курсор "I".  
 Уменьшают уровень, когда муар (вид помех, оптическая интерференция) появляется на экране как часть мелкого рисунка перекрестной штриховки и пр.

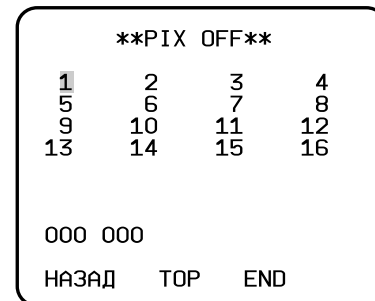
### 17-3. Установка уровня черного (ПЬЕДЕСТАЛ)

Для регулирования уровня черного перемещают курсор "I". (уровень черного).

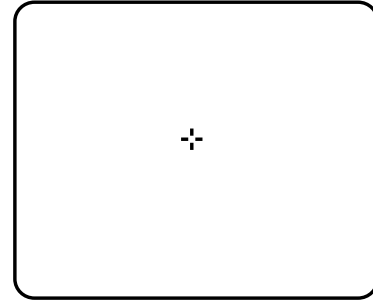
### 17-4. Установка компенсации дефектных элементов изображения (PIX OFF)

Выполняют задание уставок для компенсации до 16 дефектных элементов изображения на передающем устройстве.

1. Выбирают "PIX OF", а затем нажимают кнопку [SET].  
 → Открывается меню "PIX OFF" с номерами от 1 до 16.
2. Выбирают номер, затем нажимают кнопку [SET].  
 → Открывается экран присваивания "PIX OFF" с курсором +.



3. Перемещают курсор к середине дефектного участка до тех пор, пока его внешний вид не станет менее ясным. Наконец, нажимают кнопку [SET].
  - Отображаются горизонтальная и вертикальная позиции (координаты) дефекта с 6-значным числом во второй снизу строке.
  - Дефектное место регистрируется как место, подлежащее компенсации.
  - По окончании регистрации экран переходит обратно на меню "PIX OFF", в котором представляется номер со звездочкой.



4. При необходимости повторяют цикл вышеуказанных операций.
5. Для отмены регистрации выбирают номер со звездочкой в меню "PIX OFF" с последующим нажатием кнопки [SET].
  - Открывается экран присваивания "PIX OFF".
  - Нажимают одновременно кнопки [LEFT] и [RIGHT] и удерживают их в нажатом положении более чем на 2 секунды.
  - Когда регистрация отменена, то появляется меню "PIX OFF" с отображением номера без звездочки.

### 17-5. Для сброса в уставки по умолчанию (СБРОС КАМЕРЫ)

1. Выбирают "СБРОС КАМЕРЫ".
  - Высвечивается "→PUSH SW".
2. Удерживая кнопки [LEFT] и [RIGHT] в нажатом положении, нажимают и удерживают в нажатом положении кнопку [SET] более чем на 2 секунды.
  - Камера сбрасывается в уставки состояния по умолчанию.

---

**Примечание:**

- Установка "PIX OFF" не может инициироваться.
- 

### 17-6. Отображается заводской номер камеры. (SER. NO.)

# Дефектовка

Прежде чем обратиться к дилеру с просьбой отремонтировать, следует проверить признаки по нижеприведенной таблице. Если проблема не может быть разрешена даже после проверки и попытки разрешить по приведенной таблице, либо же проблема не описана в таблице, то следует обращаться к дилеру.

Ненормальный признак	Возможная причина/мероприятие устранения	Относящиеся страницы
Изображение не отображается	<ul style="list-style-type: none"> <li>• Правильно подсоединены ли шнур питания и коаксиальный кабель? → Проверить, правильно сделаны ли соединения.</li> </ul>	194
	<ul style="list-style-type: none"> <li>• Правильно отрегулирована ли яркость или контрастность монитора? → Проверить, правильно заданы ли уставки монитора.</li> </ul>	–
Размытость изображений	<ul style="list-style-type: none"> <li>• Загрязнен ли объектив камеры? → Проверить, очищен ли объектив камеры.</li> </ul>	–
	<ul style="list-style-type: none"> <li>• Правильно ли отрегулирован фокус? → Проверить, правильно ли отрегулирован фокус.</li> </ul>	196
Повреждена оболочка шнура питания	<ul style="list-style-type: none"> <li>• Поврежден шнур питания. Использование поврежденного шнура питания может привести к поражению электрическим током или пожару. Немедленно отключить прибор от сети питания и обратиться к дилеру за ремонтом.</li> </ul>	–
Нагрет шнур питания в процессе работы.		
Прогрет шнур питания или ослаблены соединения из-за загиба или растяжения в процессе работы.		
Светодиод не горит	<ul style="list-style-type: none"> <li>• Подводится ли питание к камере? → Проверить, подводится ли питание к камере.</li> </ul>	–
	<ul style="list-style-type: none"> <li>• Выбрано ли "ВКЛ" в качестве уставки светодиода? → Проверить, выбрано ли "ВКЛ" в качестве уставки светодиода.</li> </ul>	211

# Технические характеристики

## ● Цветные камеры замкнутой телевизионной системы

Питание и потребляемая мощность:	WV-CW384: Перем. т. напряжением 24 В частотой 50 Гц, 18 Вт, пост. т. напряжением 12 В, 560 мА WV-CW380: Перем.т. напряжением от 220 до 240 В частотой 50 Гц, 14 Вт
Сенсор изображения:	ПЗС 1/3-дюймового класса со строчным переносом заряда
Эффективные элементы изображения в пикселях:	752 (по горизонтали) x 582 (по вертикали)
Развертываемая площадь:	4,8 мм (по горизонтали) x 3,6 мм (по вертикали)
Система развертки:	2:1 чересстрочная развертка
Частота развертки:	по горизонтали: 15,625 кГц, по вертикали: 50,00 Гц
Синхронизация:	Мультиплексный ведущий импульс полевой развертки (VD2), синхронизация по сети (СТРОЧНАЯ), внутренняя синхронизация (ВНУТРЕННЯЯ)
Разрешение:	По горизонтали: 570 ТВ линий (Чёрно-белый режим), Обычно 540 ТВ линий, миним. 520 ТВ линий (в цветном режиме, разрешение: ВЫСОКИЙ) По вертикали: 400 ТВ линий (в центре)
Минимальная освещенность:	Цветной режим: 0,65 лк (повышение чувствительности ВЫКЛ, AGC ВЫСОКИЙ: F1.6, WIDE) 0,065 лк (повышение чувствительности 10x, AGC ВЫСОКИЙ: F1.6, WIDE)* Чёрно-белый режим: 0,09 лк (повышение чувствительности ВЫКЛ, AGC ВЫСОКИЙ: F1.6, WIDE) 0,009 лк (повышение чувствительности 10x, AGC ВЫСОКИЙ: F1.6, WIDE)* * Конвертированное значение 50 дБ (AGC ВЫКЛ) Обычно 54 дБ
Отношение сигнал/шум:	1,0 В [размах] ПАЛ, полный сигнал/75 Ом, BNC коннектор
Динамический диапазон:	1,0 В [размах] ПАЛ, полный сигнал/75 Ом, мини-джек 3,5 мм (моно)
Видеовыход:	
Выход монитора:	
Функции	
Имя камеры:	До 16 знаков (буквенно-цифровых, символов)
Регулировка освещенности:	ALC
Super Dynamic 3:	ВКЛ/ВЫКЛ
Скорость вращения электронного обтюратора:	ВЫКЛ (1/50), 1/120, 1/250, 1/500, 1/1 000, 1/2 000, 1/4 000, 1/10 000
Регулировка усиления:	ВКЛ (ВЫС), ВКЛ (СРЕД), ВКЛ (НИЗ), ВЫКЛ
Повышение чувствительности:	OFF, X2 АВТО, X4 АВТО, X6 АВТО, X10 АВТО, X2 ФИКСИР., X4 ФИКСИР., X6 ФИКСИР., X10 ФИКСИР., X16 ФИКСИР., X32 ФИКСИР. VD2/СТРОЧНАЯ/ВНУТРЕННЯЯ
Синхронизация:	АТW1/АТW2/АWС
Баланс белого:	MODE1/MODE2/ВЫКЛ
Видеодетектирование движения:	ВЫСОКИЙ/НИЗКИЙ
Цифровое шумоподавление:	НОРМАЛЬНОЕ/ВЫСОКИЙ
Разрешение:	АВТО1/АВТО2/ВКЛ/ВЫКЛ
Цветной/BW:	ВКЛ(1)/ВКЛ(2)/ВЫКЛ
Зона прайвеси:	ВКЛ*/ВЫКЛ (* До 2x)
Электронное масштабирование:	ВКЛ/ВЫКЛ
Стабилизатор изображения:	ВКЛ/ВЫКЛ
Светодиод:	ВКЛ/ВЫКЛ
Задний фокус:	АВF (АВТО/ПРЕДУСТ/ФИКСИР.), РУЧНАЯ-РЕГ.
Специальное:	УСИЛ. ЦВЕТА, УСИЛЕНИЕ АР, ПЬЕДЕСТАЛ, PIX OFF
Язык:	ENGLISH, FRANZAIS, ESPACOL, DEUTSCH, ITALIANO, РУССКИЙ, CHINESE или JAPANESE
Температура окружающей среды при эксплуатации:	От -30 °С до +50 °С* * От -10 °С до +50 °С при пост. т. 12 В
Относительная влажность окружающего воздуха при эксплуатации:	90 % или ниже (без конденсации)
Водостойкость:	Камера: IEC60529 (IP66, Защита от проникновения мощной струи воды с вредными эффектом)* * Может применяться только в том случае, когда монтаж и гидроизоляция произведены правильно.
Габаритные размеры:	82 (шир.) x 78 (выс.) x 301 (гл.) мм
Масса:	1,5 кг
Отделка:	Крышка объектива: Алюминиевая отливка с покрытием из светлосеребряной краски Главный корпус: АБС-смола с покрытием из светлосеребряной краски

### ● Объекти

Фокусное расстояние:	$f = 5 - 40$ мм (8x объектив с переменным фокусным расстоянием)
Диафрагменное число:	F1,6 (WIDE) - F1,9 (TELE)
Диапазон фокусировки:	$\infty - 1,2$ м
Угол поля зрения:	По горизонтали: $6,6^\circ$ (TELE) – $52,0^\circ$ (WIDE) По вертикали: $5,0^\circ$ (TELE) – $39,6^\circ$ (WIDE)

### ● Кронштейн для монтажа камеры

Регулируемый угол:	Диапазон панорамирования: $\pm 100^\circ$ Диапазон наклона: $+30^\circ, -90^\circ$
Габаритные размеры:	125 (шир.) x 125 (выс.) x 143 (гл.) мм
Масса:	240 г
Отделка:	Алюминиевая отливка с покрытием из светлосеребряной краски

### ● Коробка для адаптера

Габаритные размеры:	133 (шир.) x 133 (выс.) x 50 (гл.) мм
Масса:	510 г
Отделка:	Алюминиевая отливка с покрытием из светлосеребряной краски

Указанные значения массы и размеров являются приближенными.

## Стандартные аксессуары

Инструкция по эксплуатации (настоящий документ) .....	1 шт.
Для монтажа предусмотрены:	
Кронштейн для монтажа камеры .....	1 шт.
Крышка кронштейна для монтажа камеры .....	2 шт.
Солнцезащитный козырек .....	1 шт.
Колодка штативной головки .....	1 шт.
Коробка для адаптера .....	1 шт.
Винты крепления камеры (M4 x 8) .....	4 шт.
(включая 1 резервный винт)	
Винты крепления крышки кронштейна для монтажа камеры (M3 x 6) .....	3 шт.
(включая 1 резервный винт)	
Винт крепления коробки для адаптера (M4 x 35) .....	1 шт.
Винты крепления коробки для адаптера/кронштейна для монтажа камеры (M5 x 20) .....	5 шт.
(включая 1 резервный винт)	
Винты крепления солнцезащитного козырька (M3 x 6) .....	5 шт.
(включая 1 резервный винт)	
Винты крепления колодки штативной головки (M3 x 8) .....	4 шт.
Сиккатив .....	1 шт.
Гидроизоляционная лента .....	1 шт.



## Информация по обращению с отходами для стран, не входящих в Европейский Союз

Действие этого символа распространяется только на Европейский Союз.



Если Вы собираетесь выбросить данный продукт, узнайте в местных органах власти или у дилера, как следует поступать с отходами такого типа.



**Panasonic Corporation**

<http://panasonic.net>

Importer's name and address to follow EU rules:

Panasonic Testing Centre  
Panasonic Marketing Europe GmbH  
Winsbergring 15, 22525 Hamburg F.R.Germany