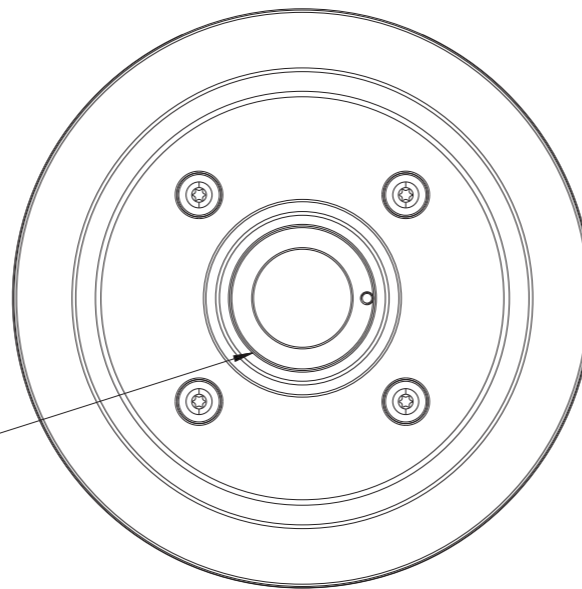
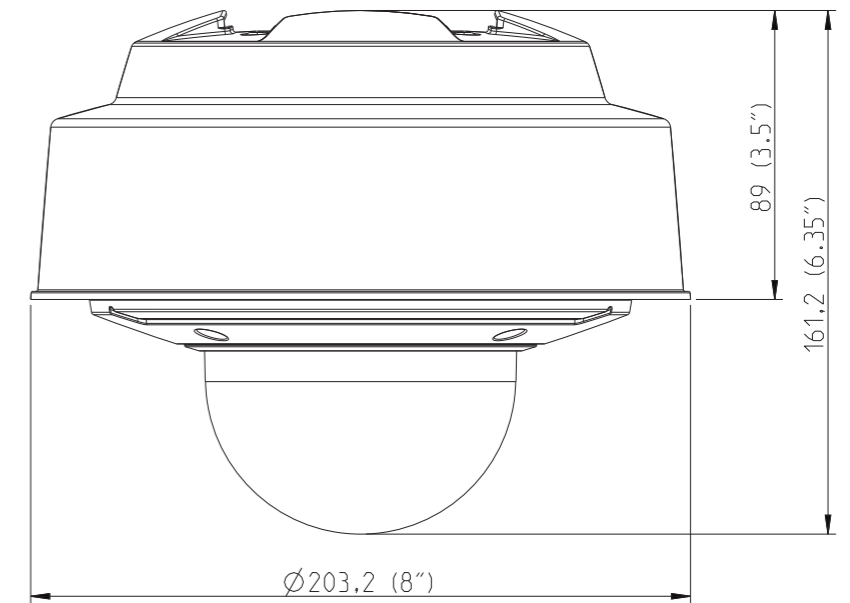
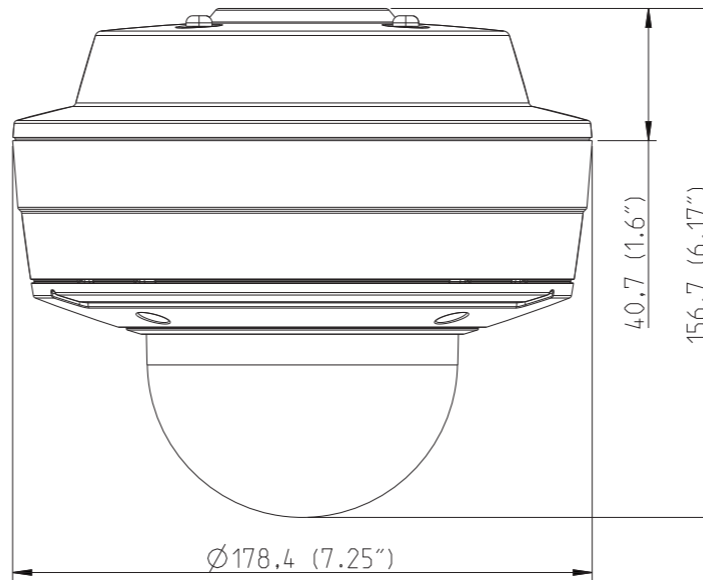
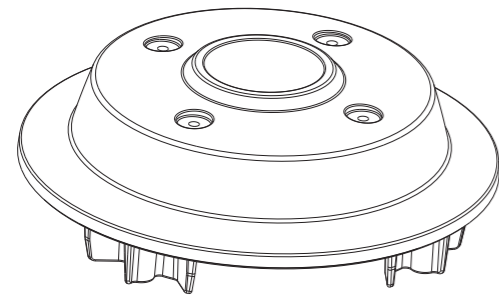
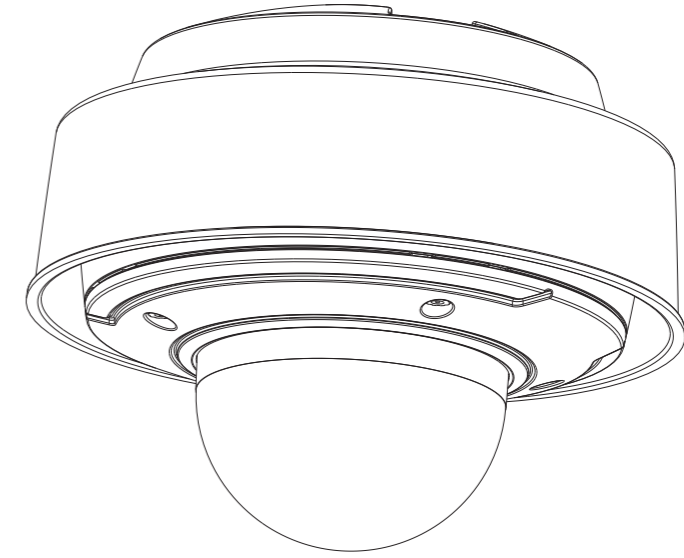
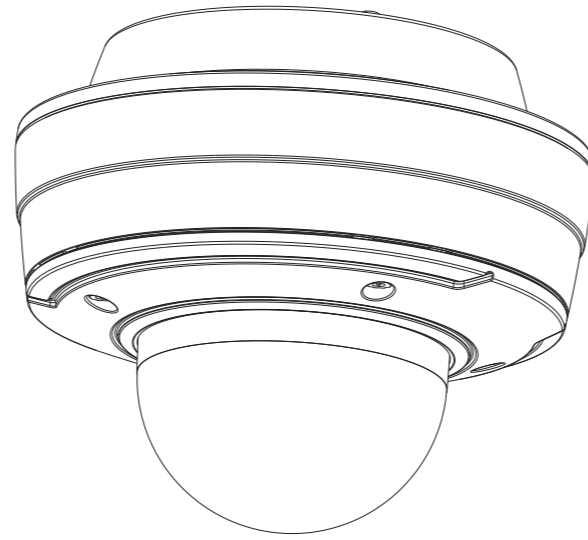
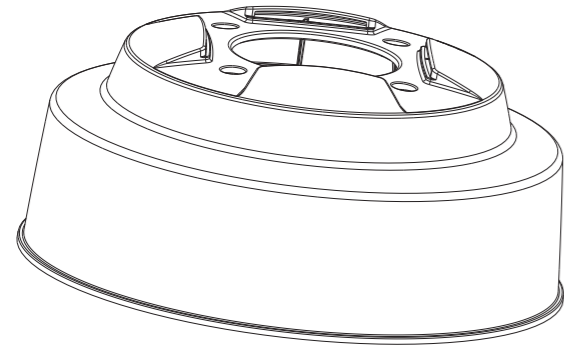
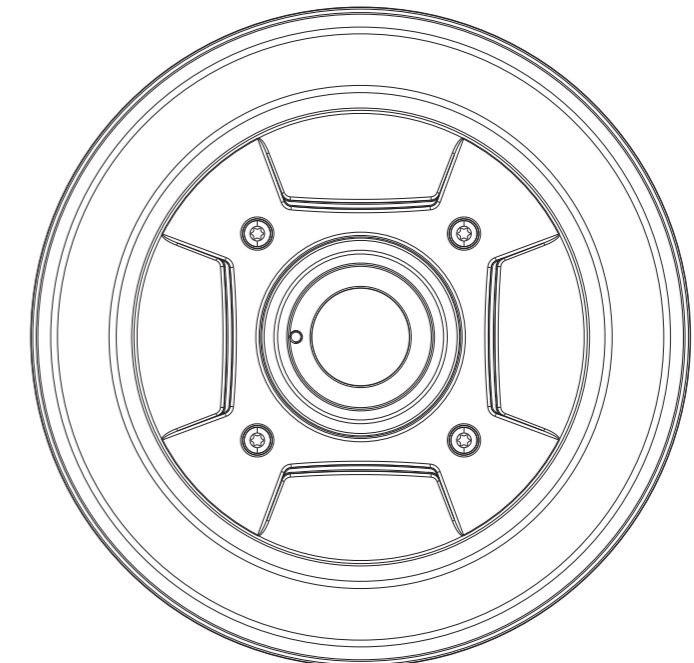


PENDANT ADAPTER WITH WEATHER SHEILD



THREAD: 1 1/2 - 11.5 NPSM
THREAD DEPTH: 25MM



AXIS P3346-VE - Pendant Kit - Accessories

9 DEC, 2010