

1

2

3

4

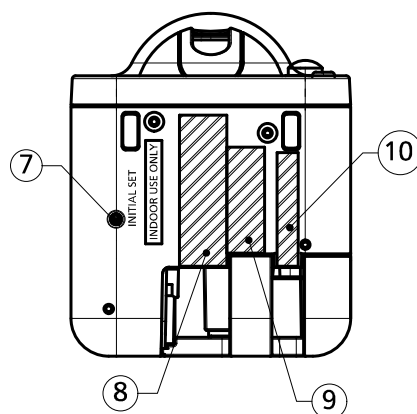
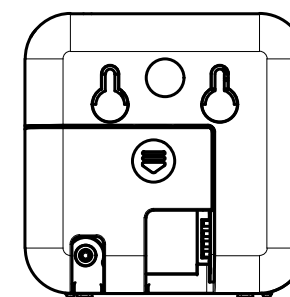
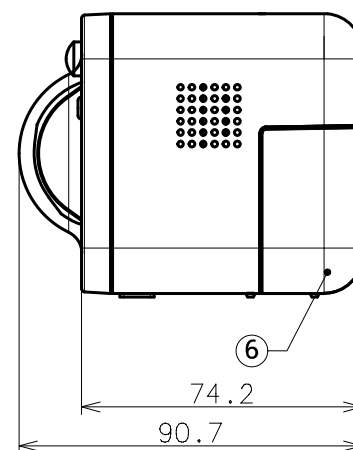
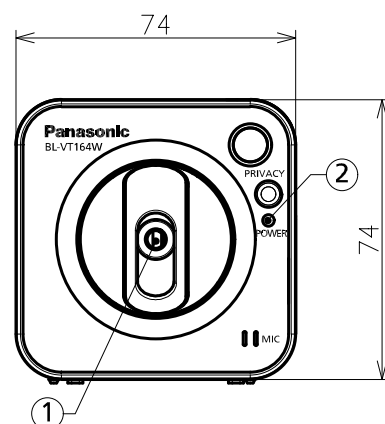
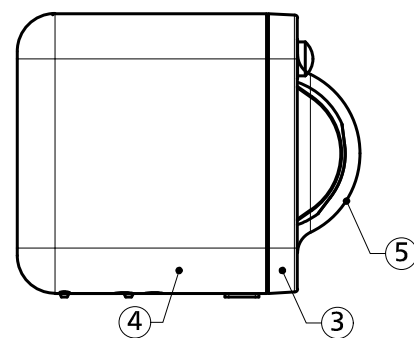
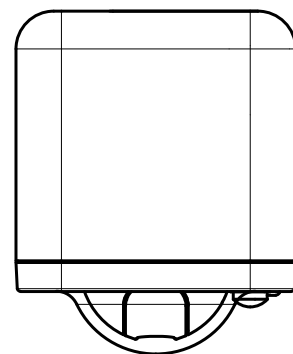
5

6

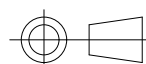
7

8

SYM	NAME	QTY.	MATERIAL & SIZE	TREATMENT	REMARK
1	LENS	1			
2	POWER LED	1			
3	FRONT CABINET	1	ABS		
4	REAR CABINET	1	ABS		
5	DOME	1	PC		
6	LAN COVER	1	ABS		
7	INITIAL SET SW	1			
8	FCC LABEL	1	POLYESTER FILMS		
9	CODE LABEL	1	POLYESTER FILMS		
10	SERIAL No. LABEL	1	POLYESTER FILMS		
11	NAME LABEL	1	POLYESTER FILMS		
12		1			
13		1			
14		1			
15		1			



Unit:mm



		MATERIAL & SIZE		PROCESS		MODEL	BL-VT164
SCALE	DESIGNED	DRAWN	CHECKED	APPROVED		NAME	
1 : 1						DRAWING/ Part NO.	
						REF.NO.	/