

1

2

3

4

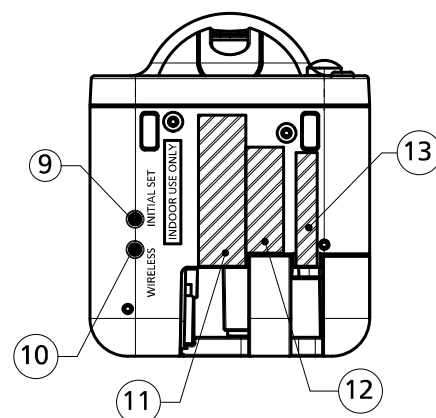
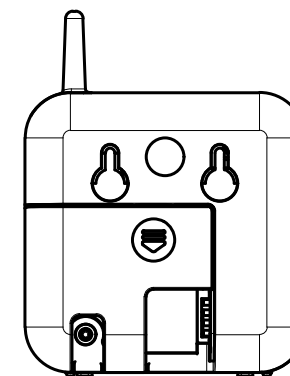
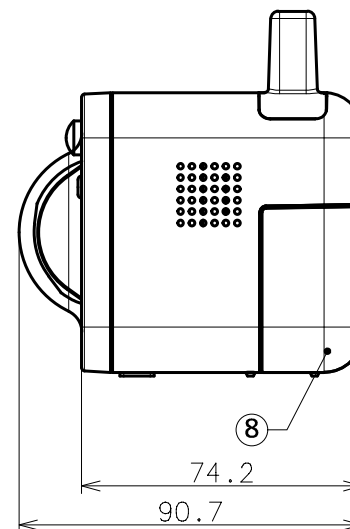
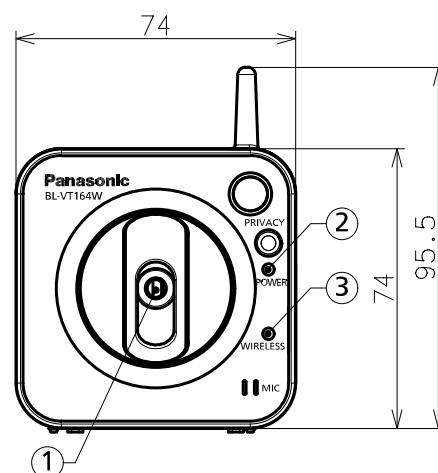
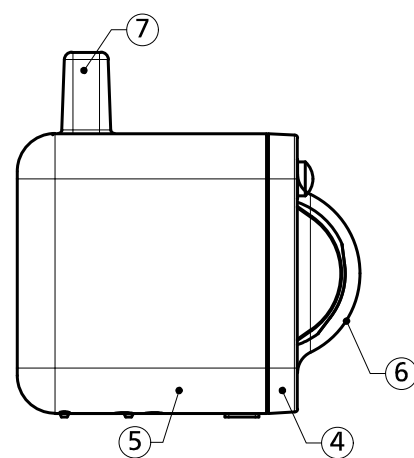
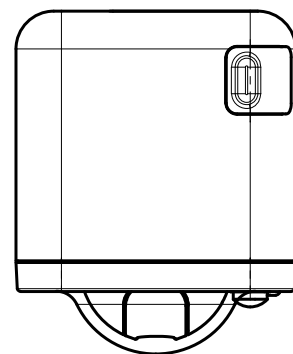
5

6

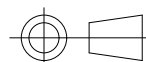
7

8

SYM	NAME	QTY.	MATERIAL & SIZE	TREATMENT	REMARK
1	LENS	1			
2	POWER LED	1			
3	WIRELESS LED	1			
4	FRONT CABINET	1	ABS		
5	REAR CABINET	1	ABS		
6	DOME	1	PC		
7	COVER/ANTENNA	1	ABS		
8	LAN COVER	1	ABS		
9	INITIAL SET SW	1			
10	WIRELESS SW	1			
11	FCC LABEL	1	POLYESTER FILMS		
12	CODE LABEL	1	POLYESTER FILMS		
13	SERIAL No. LABEL	1	POLYESTER FILMS		
14			POLYESTER FILMS		
15					



Unit:mm



				MODEL	BL-VT164W
		MATERIAL & SIZE		PROCESS	
SCALE	DESIGNED	DRAWN	CHECKED	APPROVED	
1 : 1					
				NAME	
				DRAWING/ Part NO.	
				REF.NO.	/