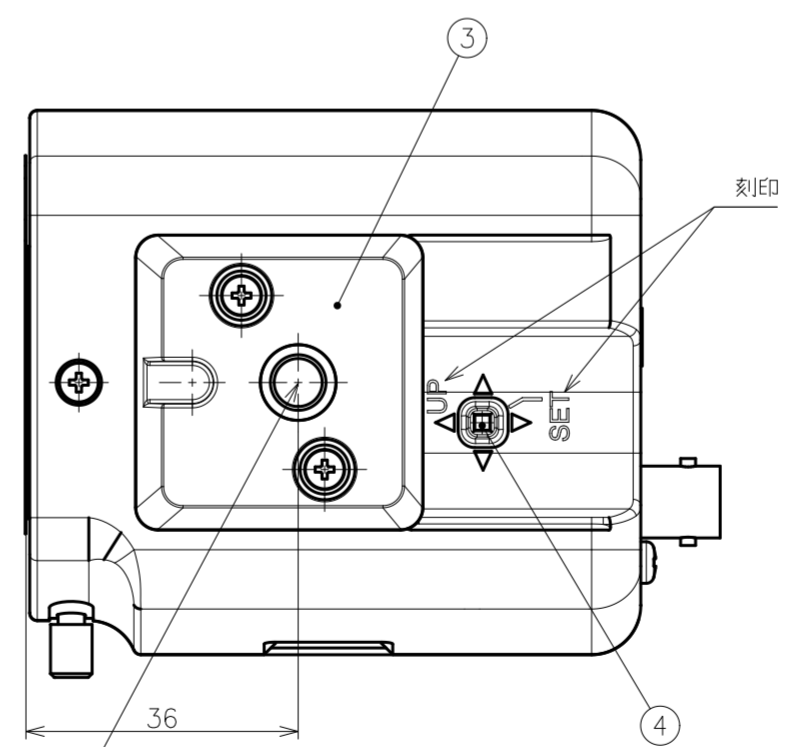
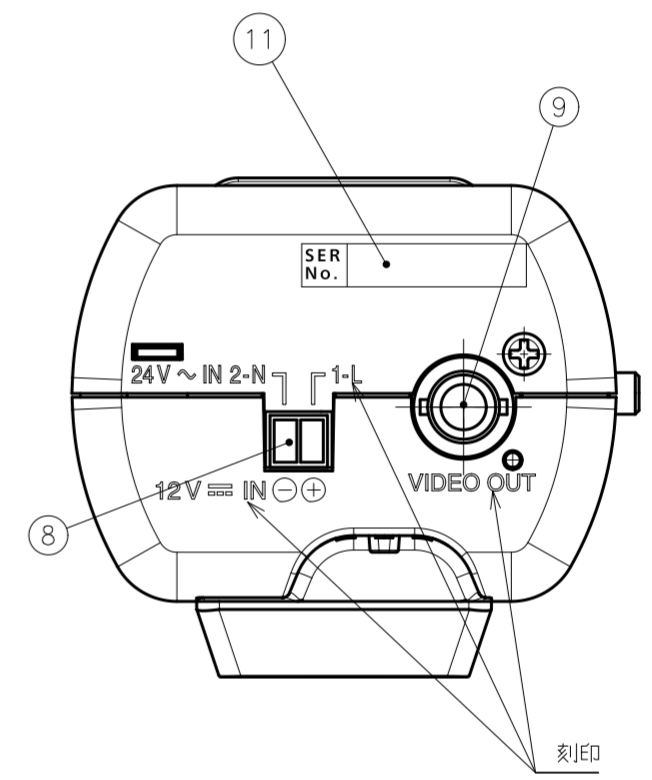
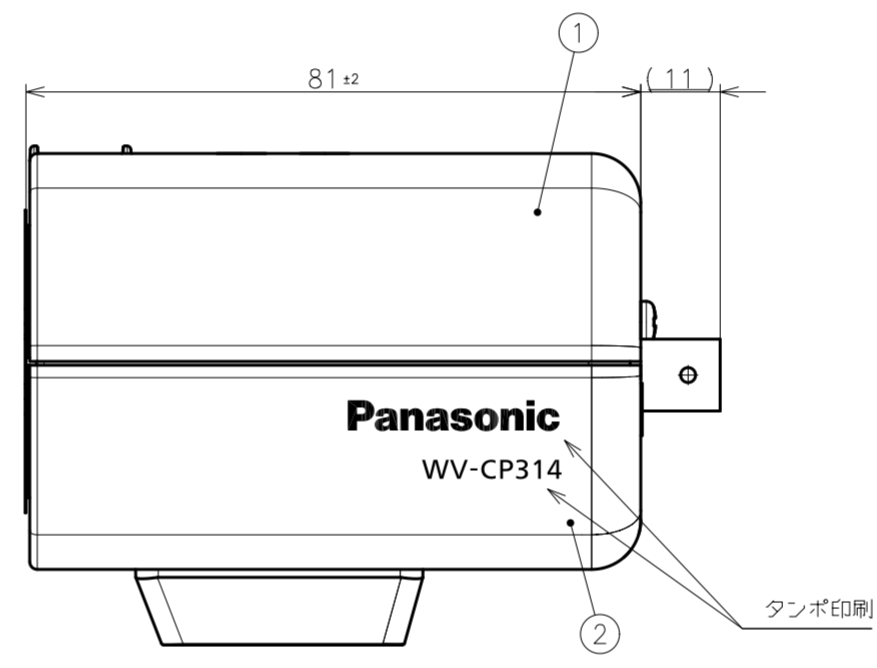
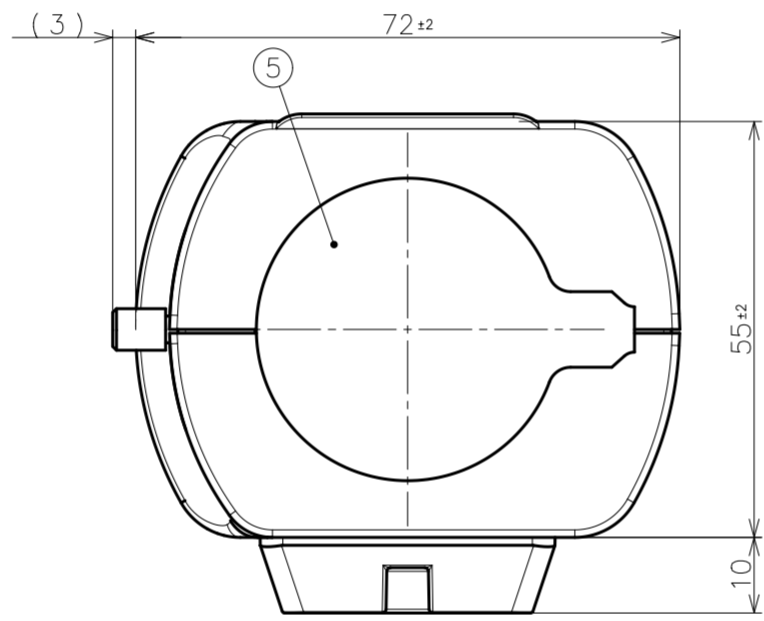
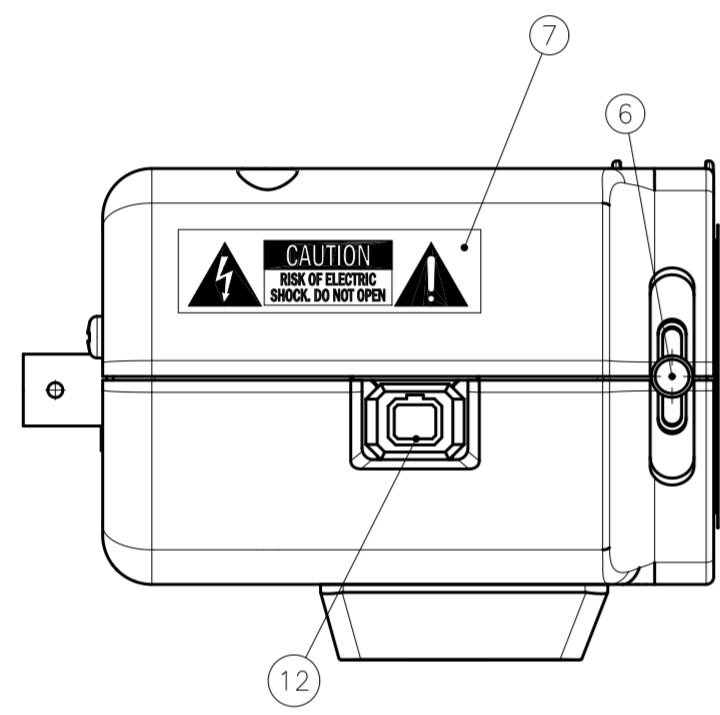
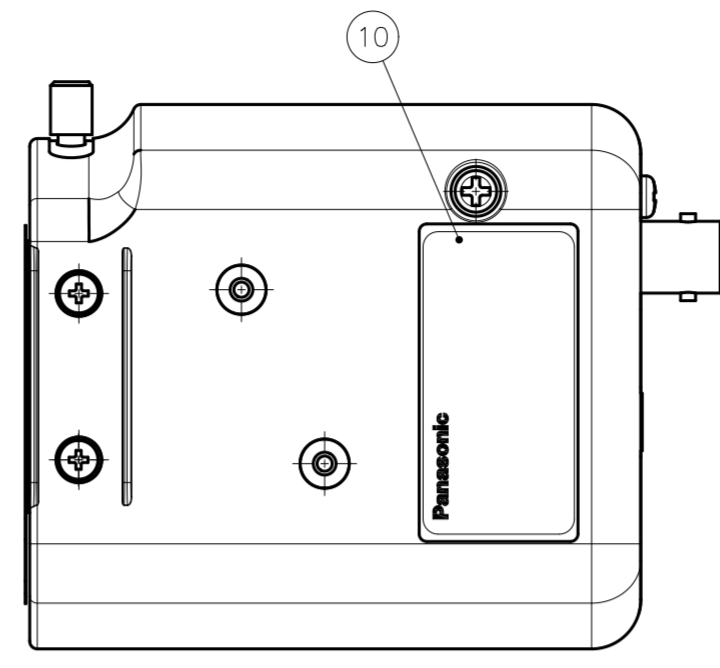


・パナソニックグループ化学物質管理ランク最新版(製品版)を遵守すること。
 URL:http://panasonic.co.jp/eco/topics/suppliers/
 ・Observe the Panasonic Group Chemical Substances Management Rank Guidelines
 latest version (For Products).
 URL:http://panasonic.net/eco/topics/suppliers/

SYM.	DATE	REVISION	SIGNED	CHECKED
△				
△				
△				
△				



1/4-20UNC for Tripod
(Depth 10mm)

SYM.	ITEM OR PARTS No.	NAME	QTY	MATERIAL & SIZE	TREATMENT	REMARK
12		ALC lens connector	1			
11		Serial number label	1	Polyester Film		
10		Name label	1	Polyester Film		
9		Video output connector	1			
8		Power input terminal	1			
7		Caution label	1	Polyester Film		
6		Back focus adjustment screw	1	SWCH		
5		Lens mount label	1	PP FILM		
4		Setup button	1	ABS (V-0)		
3		Tripod mount base	1	ABS/PC		
2		Lower case	1	ABS (V-0)		
1		Upper case	1	ABS (V-0)		

REMARK		MATERIAL & SIZE		PROCESS		NAME	MODEL
SCALE	DESIGNED	DRAWN	CHECKED	APPROVED			WV-CP314E
1:1	M.Shimada 2011.11.02	J.Hirako 2011.11.02		Sakigawara 2011.11.22			箱入規格/Main Assembly Standards <外観図>
					DRAWING/ Part NO.		Page M-Mb1 of M-Mb1

